

ED230/220 combination steam and convection oven

Gaggenau 200 Series

Width 27"/24" (70/60 cm)

220-240V / 60Hz

Width 27" (70 cm)

Right-hinged

ED 230-610

Stainless steel

ED 230-630

Aluminum

Left-hinged

ED 231-610

Stainless steel

ED 231-630

Aluminum

Width 24" (60 cm)

Right-hinged

ED 220-600

Anthracite

ED 220-610

Stainless steel

ED 220-630

Aluminum

Left-hinged

ED 221-600

Anthracite

ED 221-610

Stainless steel

ED 221-630

Aluminum

Included Accessories:

ED 230/231/220/221-...

Fresh steam system with water supply and outlet.

Pressureless steaming and baking.

Oven interior volume: 1.48 cb.ft.

– **Series 200 design in stainless steel or aluminum.** Perfect unity when combined with EB 200.

– **Baking up to 450°F. Can be combined with variable humidity from 0 to 100%.** Juicy roast or bread with a crispy crust.

– **Cooking in steam at defined temperatures and humidity levels with temperature probe.**

The gentlest and tastiest way of preparing every dish without overboiling, burning or falling apart.

Convection only and Convection with four humidity settings 100%, 80%, 60%, and 30%.

Condensation.

Misting.

60 W halogen lighting.

Electronic precision temperature control from 85°F – 450°F.

Large function display.

Automatic cooking time.

Actual temperature display:

"Thermo Test".

Integrated meat probe with digital read out. Programmable from 85°F to 210°F and automatic shut-off.

Heat-insulated door with two-fold glazing.

Hygienic stainless steel interior with cleaning assist.

Steam suppression/steam removal.

Automatic drying mode.

Quiet cooled housing.

Grease filter protecting the convection fan.

Glass door opening through 180°.

Child and vacation lock.

Automatic altitude boiling point calibration.

One oven tray, one perforated pan, one rack, inlet hose, screenwater filter, drain hose attached.

Fresh water supply from 29 psi to 87 psi required. If incoming water pressure exceeds 87 psi, you must order DR 220-010 (see below) to reduce water pressure.

Installation accessories:

DR 220-010 Pressure regulator,

3/4" connection for water pressure from 87 psi to 145 psi.

GZ 010-011 Extension for

inlet and outlet.

Optional accessories:

KB 220-000 Additional

Stainless steel oven tray, 1 1/4" deep.

KB 220-324 Additional

Stainless steel perforated pan.

GR 220-046 Additional wire rack.

KB 220-114 Stainless steel

oven tray 1 1/4" deep, 1/3 tray side.

KB 220-124 Stainless steel

perforated cooking insert 1 1/4" deep, 1/3 tray size.

4" power cable (hardware required)

Planning notes:

Hinging must be specified when ordering as the door is not interchangeable.

Plan minimum distance of 2" between two ovens installed side by side when handles in the middle-or 3/4" durable shelf when centered around hinged sides.

Cold water inlet 3/4" NPT.

Supplied drain hose Ø=1".

Connect supplied drain hose to a 2" Ø house drain pipe.

The water connection must lay at least 4 inches below the appliance.

If the hardness of the water exceeds 7° dH, a water softening system must be installed when connecting the appliance. Please contact your plumber for details.

Total rating: 2.9 kW

Total Amps: 12

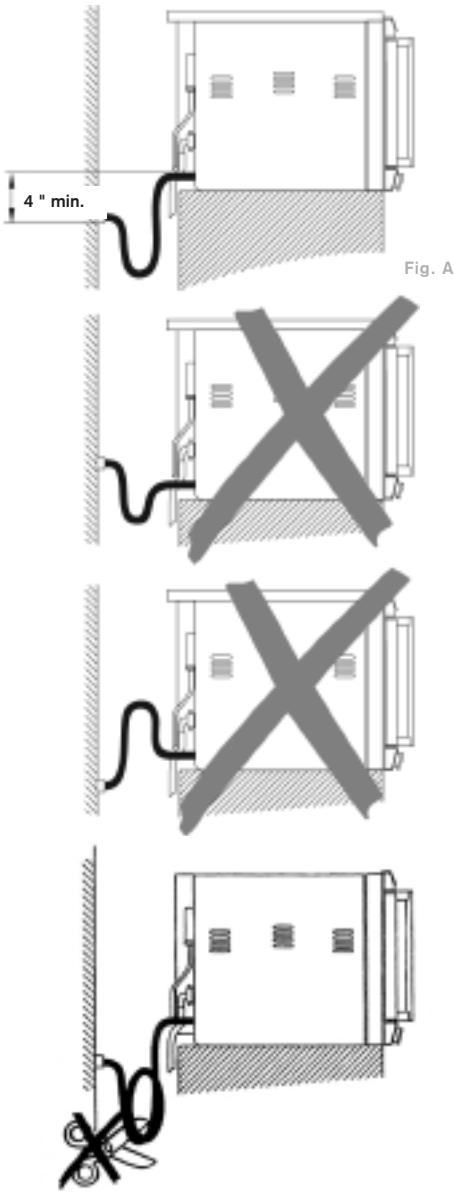
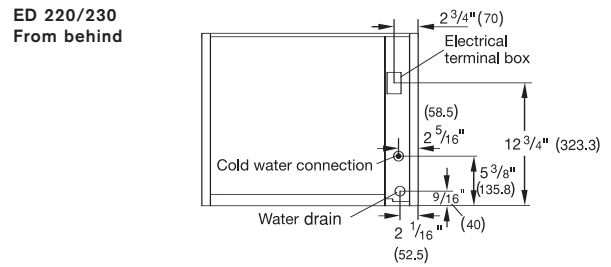
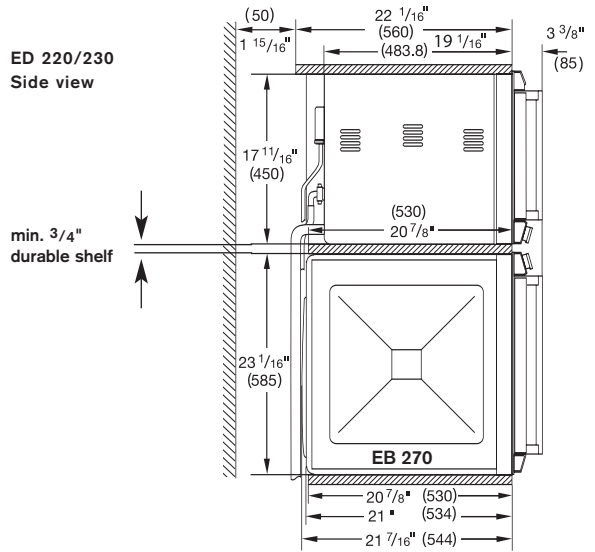
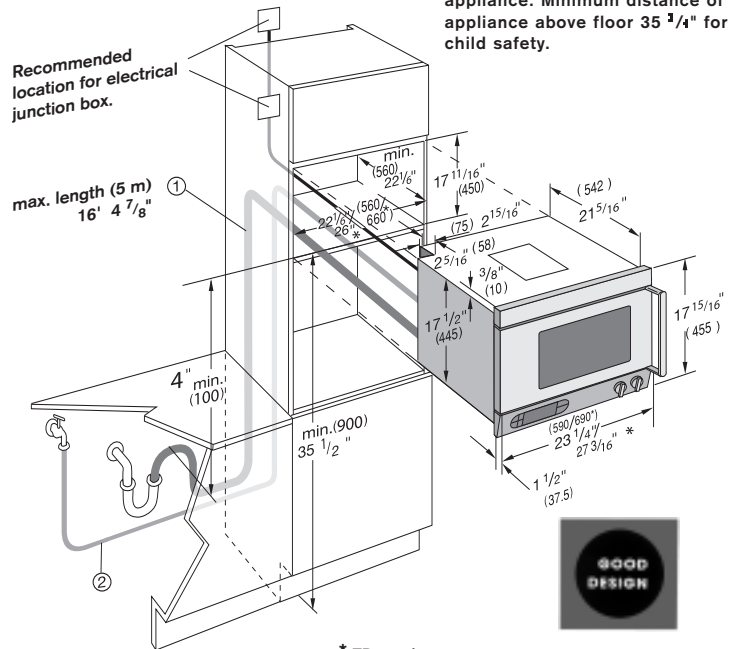


Fig. A

Drain hose must always lie below the appliance and at least 4" below the drain water outlet (see illustration). Drain hose should not exceed a maximum length of 16' 4 3/4". The water shut-off valve for the drain hose (1) as well as the water inlet hose (2) as must always be accessible and must not be directly behind the appliance.



Do not install the electrical junction box directly behind the appliance. Minimum distance of appliance above floor 35 1/4" for child safety.



* ED 230/231

Numbers indicated inside parenthesis () = mm

Minimum distance of 4" between wall and appliance to allow full opening of door.

