



Porsche
911 (991) 2012-2016
Boxster (981) 2013-2016
Caymen (981) 2014-2016

KIT FEATURES

- ISO DDIN radio provision
- Painted matte black

KIT COMPONENTS

- A) Radio housing with brackets and trim

A

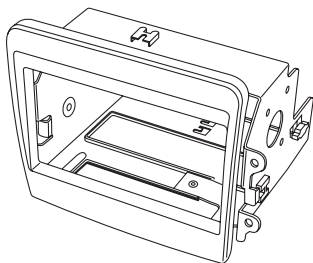


TABLE OF CONTENTS

Dash Disassembly	2
Kit Assembly	3

WIRING & ANTENNA CONNECTIONS (sold separately)

Wiring Harness: TBA
Antenna Adapter: 40-EU10 (w/NAV)
40-EU56 (w/o NAV)

TOOLS REQUIRED

- Panel removal tool • Phillips screwdriver
- Torx screwdriver

CAUTION! All accessories, switches, climate controls panels, and especially air bag indicator lights must be connected before cycling the ignition. Also, do not remove the factory radio with the key in the on position, or while the vehicle is running.

DASH DISASSEMBLY

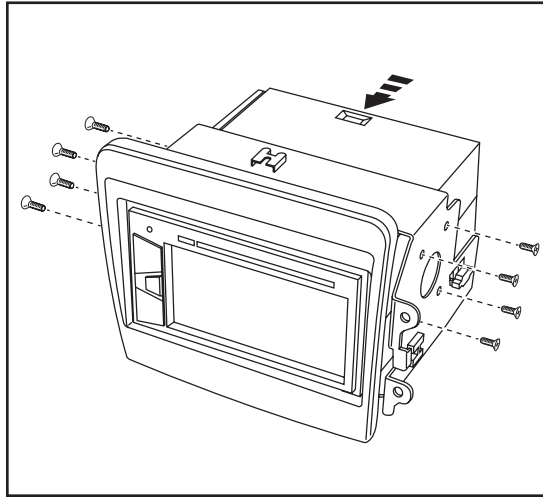
1. Unclip the center console side panels starting from the rear, then pull back to release the front of the panels. (Figure A)
2. Remove (4) Torx screws securing the radio, then unplug and remove the radio. (Figure B)

Continue to Kit Assembly

Please visit Metraonline.com for Dash Disassembly illustrations.

KIT ASSEMBLY

1. Slide the radio into the 95-9607B assembly from the back, and then secure the radio using the screws provided with the radio. (Figure A)
2. Locate the factory wiring harness and antenna connection in the dash, and complete all necessary connections to the radio. Metra recommends using the proper mating adapter from Metra and/or Axxess. Test the radio for proper operation.
3. Secure the completed assembly to the dash using the factory screws.
4. Reassemble the dash in reverse order of disassembly to complete the installation.



(Figure A)



95-9607B
INSTALLATION INSTRUCTIONS



IMPORTANT

If you are having difficulties with the installation of this product, please call our Tech Support line at 1-800-253-TECH. Before doing so, look over the instructions a second time, and make sure the installation was performed exactly as the instructions are stated. Please have the vehicle apart and ready to perform troubleshooting steps before calling.



KNOWLEDGE IS POWER

Enhance your installation and fabrication skills by enrolling in the most recognized and respected mobile electronics school in our industry. Log onto www.installerinstitute.com or call 800-354-6782 for more information and take steps toward a better tomorrow.



Metra recommends MECP certified technicians