

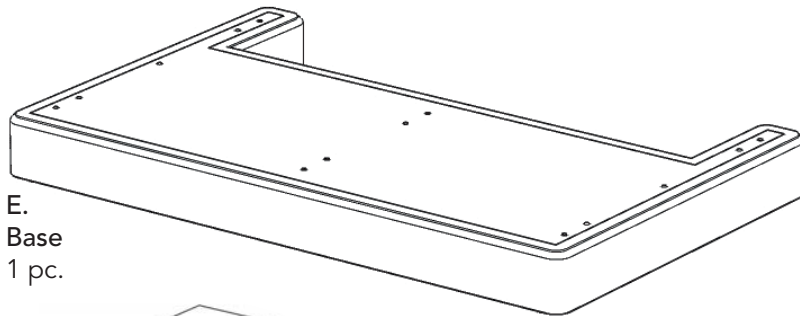
**IMPORTANT**

Carefully remove all the parts from the carton and place them individually on a soft cloth to prevent scratches or other damage.

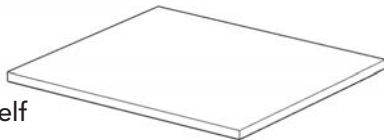
Carefully and strictly follow these assembly instructions to ensure a completed product as designed.

Do not use power tools above 8 volts to assemble.

**Part List**



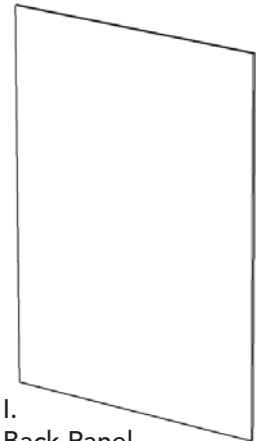
**E.**  
Base  
1 pc.



**F.**  
Shelf  
4 pcs.



**H.**  
Back Upright  
1 pc.



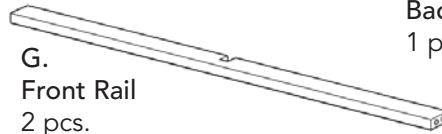
**I.**  
Back Panel  
2 pcs.



**J.**  
Door  
1 pc.



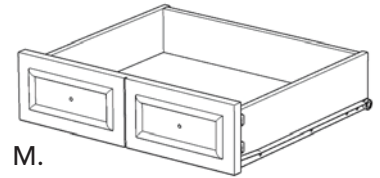
**K.**  
Door  
1 pc.



**G.**  
Front Rail  
2 pcs.



**L.**  
Back Rail  
2 pcs.



**M.**  
Drawer  
2 pcs.

Refer to later page(s) of these instructions for drawer assembly.

**Hardware List**



Hex Wrench  
1 pc.



Adjustable Pin  
16 pcs. (+1 extra)



Cam Lock  
18 pcs. (+6 extra)



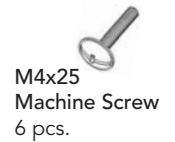
M8x38  
Head Cap Bolt  
6 pcs. (+1 extra)



M3x15  
Wood Screw  
for back panel  
8 pcs. (+1 extra)



M3x15  
Wood Screw  
4 pcs. (+1 extra)



M4x25  
Machine Screw  
6 pcs.



Small  
Hex Wrench  
1 pc.



Wood Dowel  
6 pcs.



Cam Lock Screw  
18 pcs. (+2 extra)



Flat Washer  
6 pcs. (+1 extra)



Spring Washer  
6 pcs. (+1 extra)



Magnet  
2 pcs.



Knob  
6 pcs.

**Cartons 88 5523 94Q1 or 941 and 942 are also needed for assembly.**

Tool(s) required for assembly: Phillips screwdriver, Level, Drill (8 volts or less), 3/8" Drill Bit

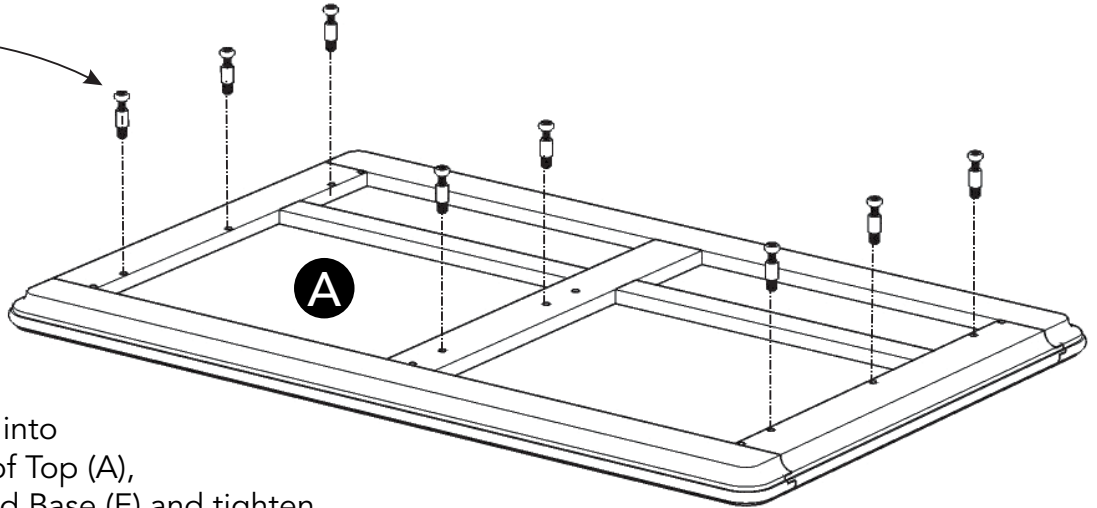
Home Styles Customer Service: [www.homestyles-furniture.com](http://www.homestyles-furniture.com),  
[servicedesk@homestyles-furniture.com](mailto:servicedesk@homestyles-furniture.com), 888-680-7460, 877-831-0319

## Assembly Instructions 2/5

### IMPORTANT

- Use a soft cloth between these parts and the floor.
- Do not use power tools above 8 volts to assemble.
- Do not tighten all the screws until each part is properly assembled.
- The unit must be level to work properly. Use the included adjustable levelers to level.
- Keep Hex Wrench in a safe place as the bolts may need to be tightened up in the future.

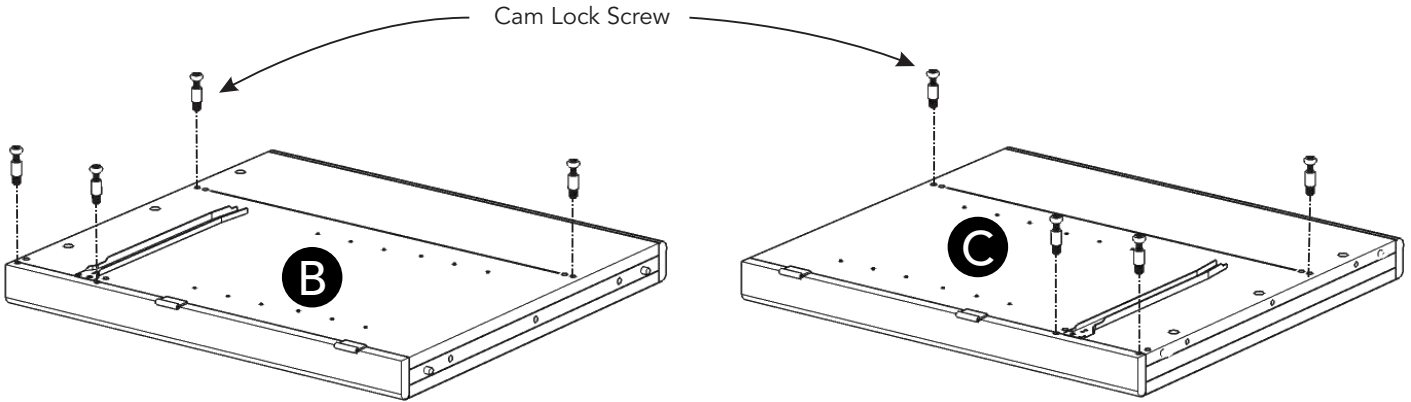
Cam Lock Screw



### STEP 1

Put Cam Lock Screws into the pre-drilled holes of Top (A), Side Panels (B), (C) and Base (E) and tighten. (See Figure 1)

Cam Lock Screw



Cam Lock Screw

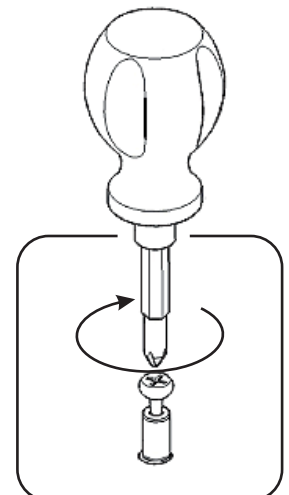
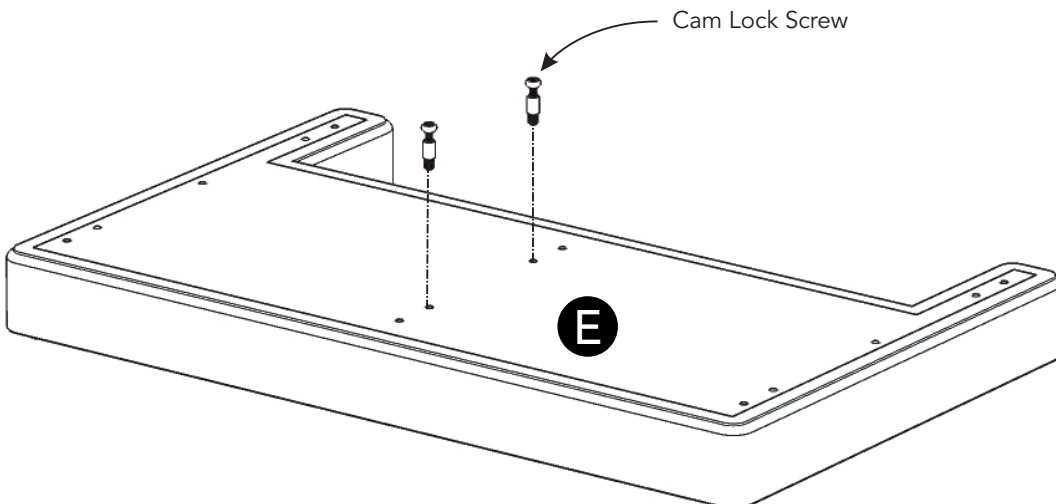
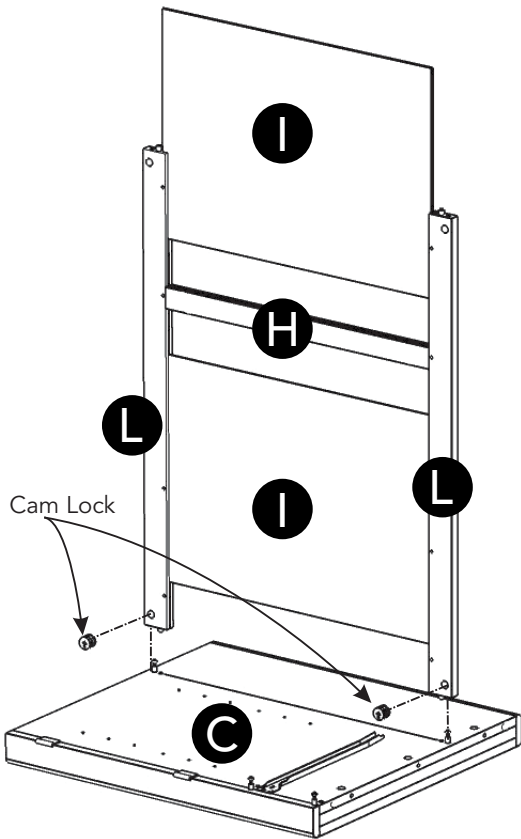


Figure 1

# Assembly Instructions 3/5

## STEP 2



Attach Back Rails (L) to Side Panel (C) with Cam Locks.  
(See Figure 2)

Slide Back Panel (I), Back Upright (H) and Back Panel (I)  
to unit.

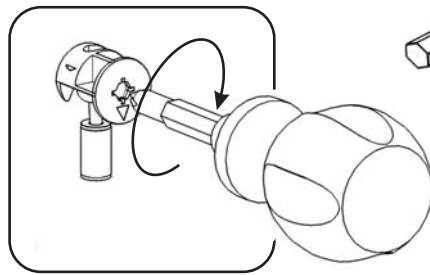


Figure 2

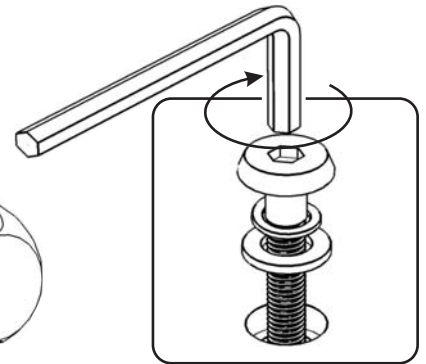
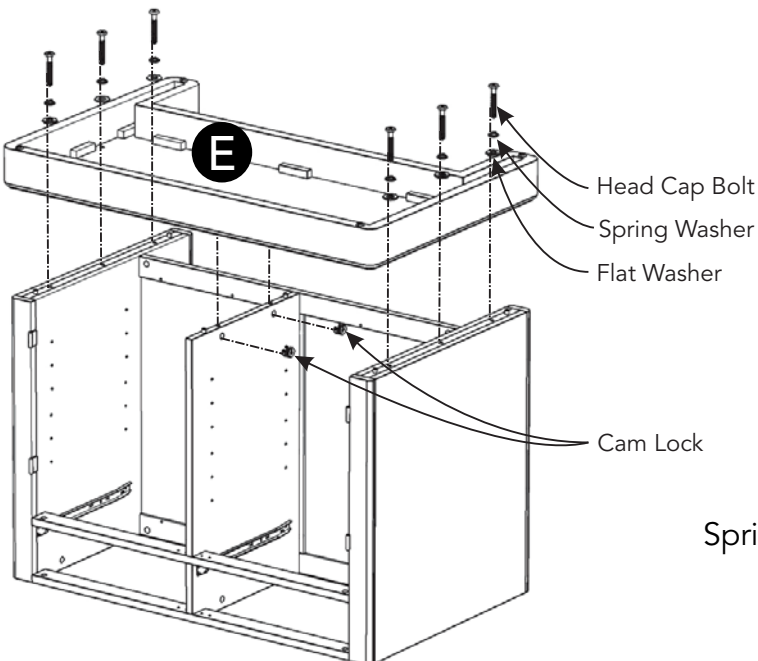
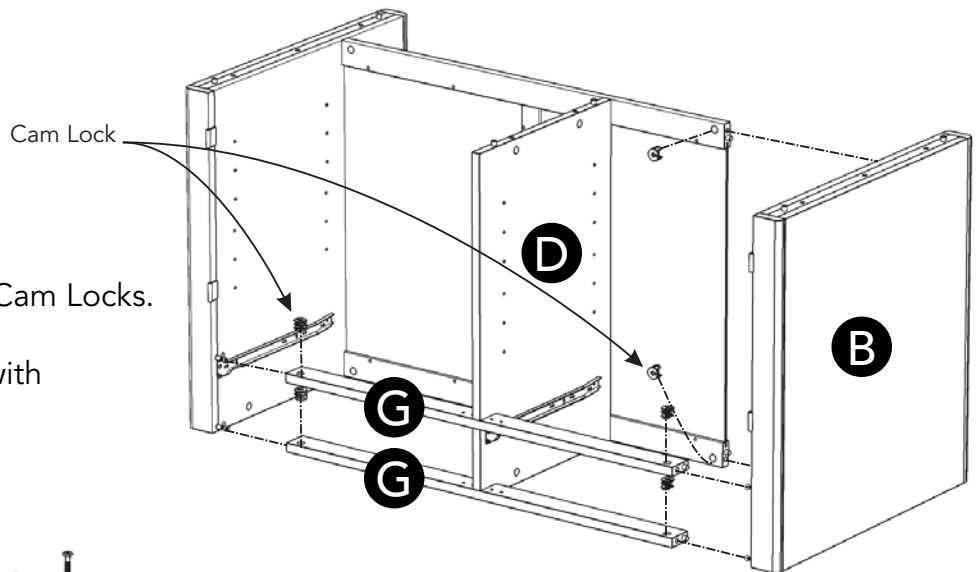


Figure 3

## STEP 3

Attach Front Rails (G) and  
Middle Panel (D) to unit with Cam Locks.

Attach Side Panel (B) to unit with  
Cam Locks.

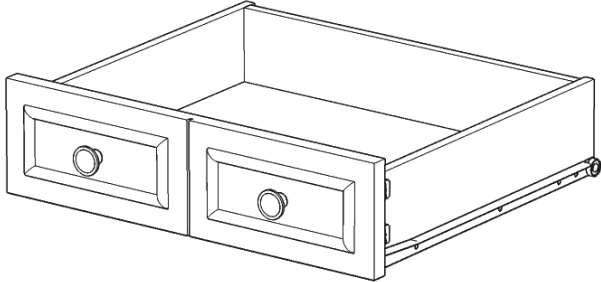


## STEP 4

Attach Base (E) to unit with Flat Washers,  
Spring Washers, Head Cap Bolts and Cam Locks.  
(See Figure 3)

# Assembly Instructions 4/5

## Drawer (M)



### STEP 5

Attach Drawer Sides (M3) and (M4) to Drawer Back (M2), then flip the locks. (See Figures 4 and 5)

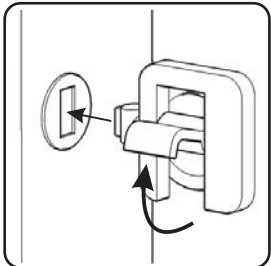
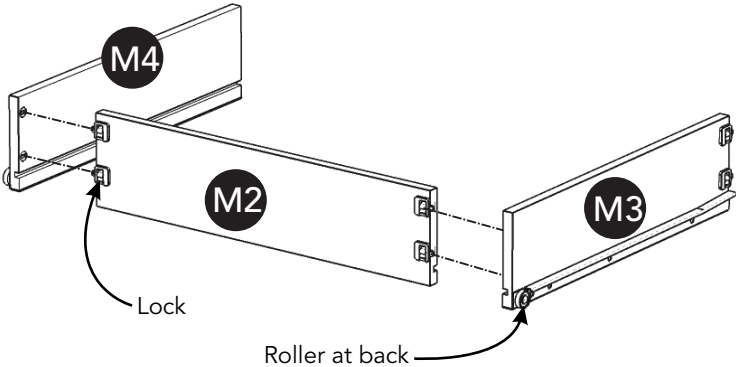


Figure 4

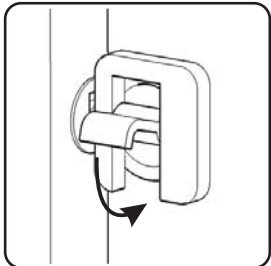


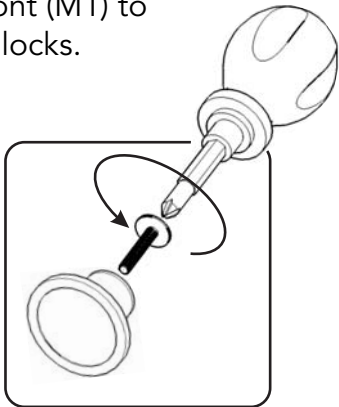
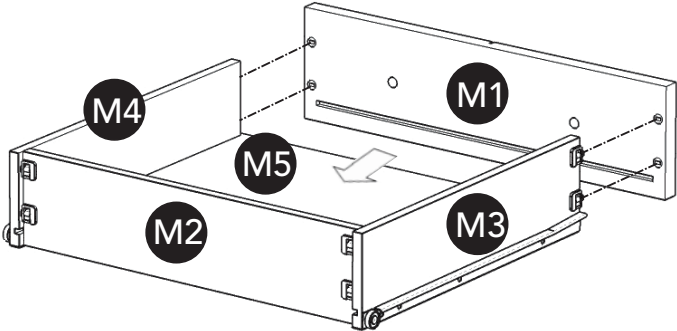
Figure 5

### STEP 6

Slide Drawer Bottom (M5) into the grooves in Drawer Sides (M3) and (M4).

Push Drawer Bottom (M5) all the way into Drawer Back (M2).

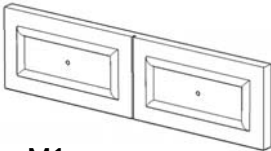
Attach Drawer Front (M1) to unit, then flip the locks.



### STEP 7

Attach Knob with Machine Screw.

### Part List



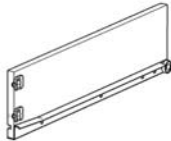
M1.  
Drawer Front  
2 pcs.



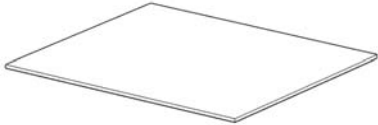
M2.  
Drawer Back  
2 pcs.



M3.  
Drawer Side  
2 pcs.



M4.  
Drawer Side  
2 pcs.



M5.  
Drawer Bottom  
2 pcs.

# Assembly Instructions 5/5

## STEP 8

Turn the unit to its' upright position, then insert Wood Dowels into side panels and middle panel.

Attach Top (A) to unit with Cam Locks.

Attach Magnets to unit with Wood Screws.  
(See Figure 6)

Level unit by adjusting the adjustable levelers on the bottom of unit. (See Figure 7)

Insert Wood Screws for back panel into pre-drilled holes of unit.

Note: Unit must be level before tightening these screws.

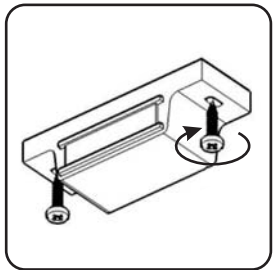
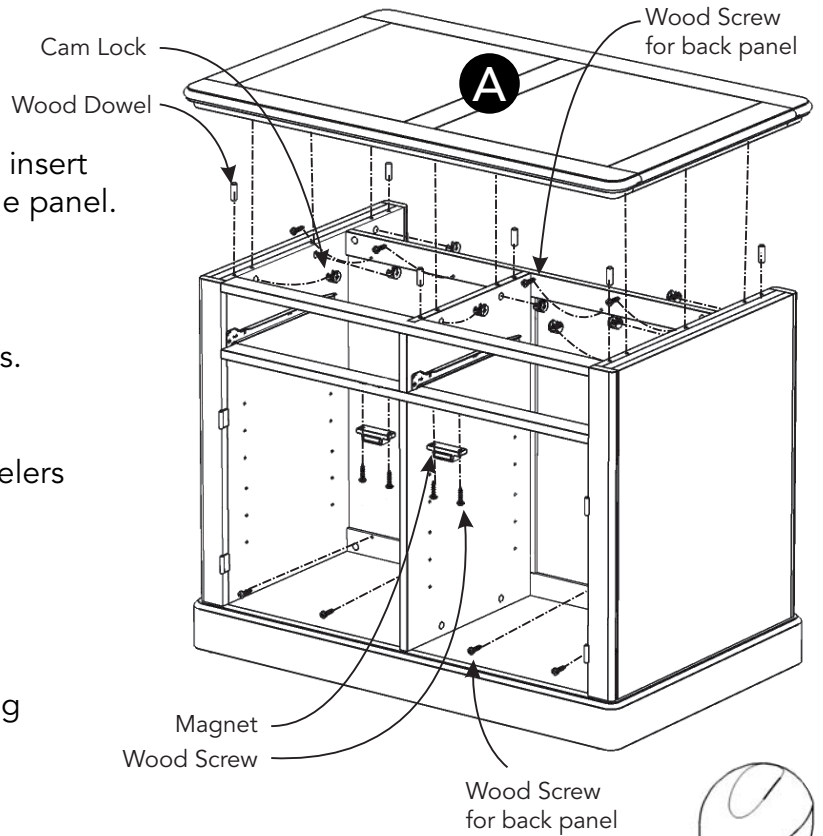


Figure 6

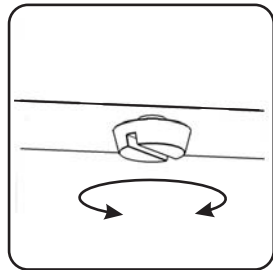


Figure 7

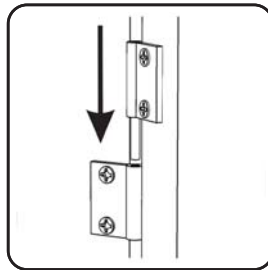


Figure 8

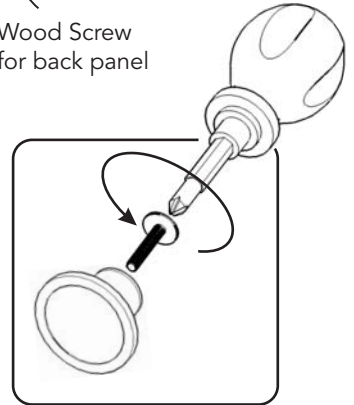
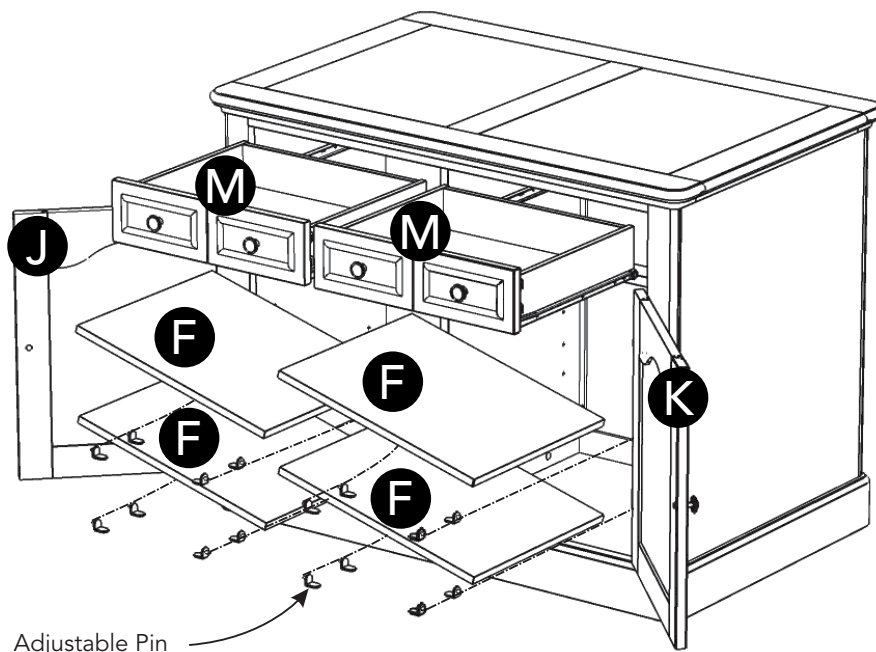


Figure 9



## STEP 9

Slide Drawers (M) into position.

Insert Adjustable Pins into side panel and middle panel at desired level, then place Shelves (F) into position.

Attach Doors (J) and (K) by sliding the door lift hinges into the side panels lift hinges. (See Figure 8)

Assemble Knobs to Doors (J) and (K) with Machine Screws. (See Figure 9)

# CARE INSTRUCTIONS

## NEVER

allow liquids to remain on furniture.  
Absorption causes parts to warp  
and split and finishes to delaminate.

## NEVER

use glass cleaners on  
finished furniture. Ammonia  
chemically attacks the finish.



Do not use power tools  
above 8 volts to assemble.  
**PREVENT  
CRACKING**



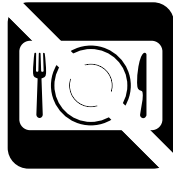
Do not place  
in direct sunlight.  
**PREVENT  
FADING**



Do not write  
directly on surface.  
**PREVENT  
MARKING**



Do not place hot  
objects on surface.  
**PREVENT  
FINISH DAMAGE**



Do not use rubber  
based placemats.  
**PREVENT  
DISCOLORING**



Do not use commercial  
waxes and polishes.  
**PREVENT  
YELLOWING**

## CLEAN

with a soft cloth moistened  
in lukewarm soap and water.  
Buff with a dry clean cloth.



Home Styles will provide replacements free of charge for missing or damaged hardware or parts within 30 days of purchase. Digital images of the defective parts may be required. If the product was not purchased from an authorized retail affiliate, Home Styles is under no obligation to provide replacement parts. Parts are not available for fully assembled items nor are parts available for sale. Replacements for missing or damaged hardware or parts may be requested at:

[www.homestyles-furniture.com/customer-service/replacement-parts](http://www.homestyles-furniture.com/customer-service/replacement-parts)

Home Styles Customer Service: [www.homestyles-furniture.com](http://www.homestyles-furniture.com),  
[servicedesk@homestyles-furniture.com](mailto:servicedesk@homestyles-furniture.com), 888-680-7460, 877-831-0319