

Miele

36" Rangetop

KMR 1134-1 G/LP, KMR 1135-1 G,
KMR 1136-1 G/LP



Shown: KMR 1135-1 G under DAR 1130
Please note: This information is subject to change

mieleusa.com
Specification Sheet TRS 04252018

36" Rangetop

SPECIFICATIONS			
Overall Unit Dimensions	35 ¹⁵ / ₁₆ " (915 mm) W x 7 ¹ / ₂ " (191 mm) H [Not including grates] x 26 ¹ / ₂ " (673 mm) D [Depth to control panel]		
Niche			
Minimum Cabinet Niche Opening	36" (915 mm) W x 25 ¹ / ₁₆ " (636.6 mm) D [To back of control panel]		
Minimum Support Thickness	3/4" (19 mm)		
Gas			
Gas Line Connection	1/2" NPT		
Operational Altitudes			
High Altitude	Miele Natural Gas and LP Rangetops will function up to 9,800 ft. in altitude without adjustment; the following exception will function up to 6,500 ft. in altitude without adjustment: •Griddle in LP: KMR 1136-1 LP •Grill in G: KMR 1135-1 G If an installation exceeds these elevations, please contact rangejetkit@mieleusa.com.		
Electrical			
Electrical Requirements	120V, 60Hz, 15 Amps		
Power Cord	Yes - NEMA 5-15 plug, 4 ft (1.2 m) long		
Shipping	KMR 1134-1	KMR 1135-1	KMR 1136-1
Shipping Weight	134.5 lbs (61 kg)	145.5 lbs (66 kg)	164.2 lbs (74.5 kg)
Installation Accessories			
12" Backguard	RBGAG1236		
20" Backguard	RBGAG2036		
40" Backsplash	RBS36		
Support			
Call	800.843.7231		
Miele Website	www.mieleusa.com		
20/20 Link	2020technologies.com		

Only Burners:



KMR 1134-1
Item 26113460USA

KMR 1134-1 LP
Item 26113461USA

With Grill:



KMR 1135-1
Item 26113560USA

With Griddle:



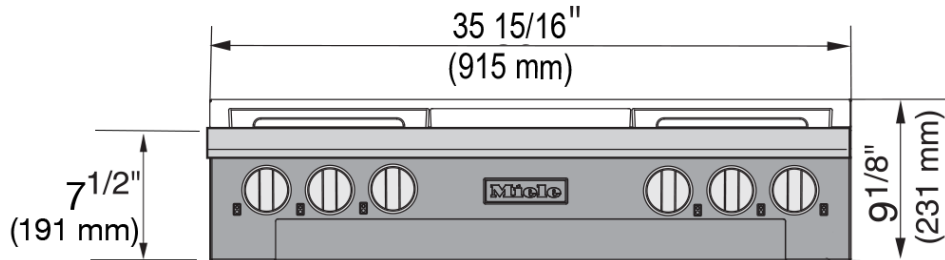
KMR 1136-1
Item 26113660USA

KMR 1136-1 LP
Item 26113661USA

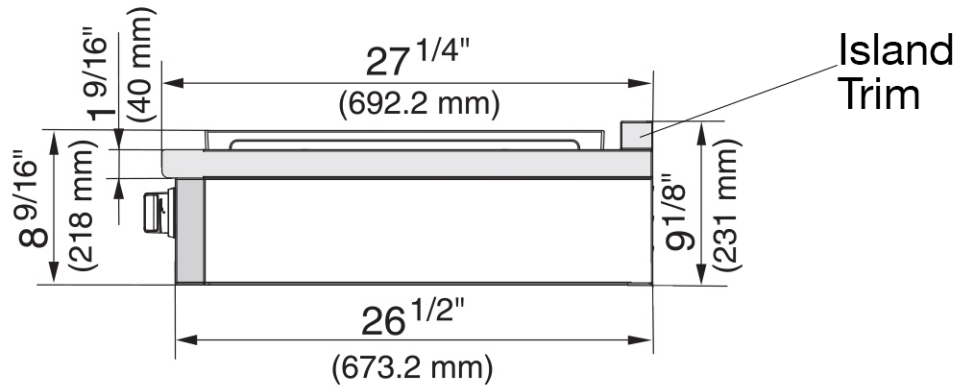
36" Rangetop

PRODUCT VIEWS

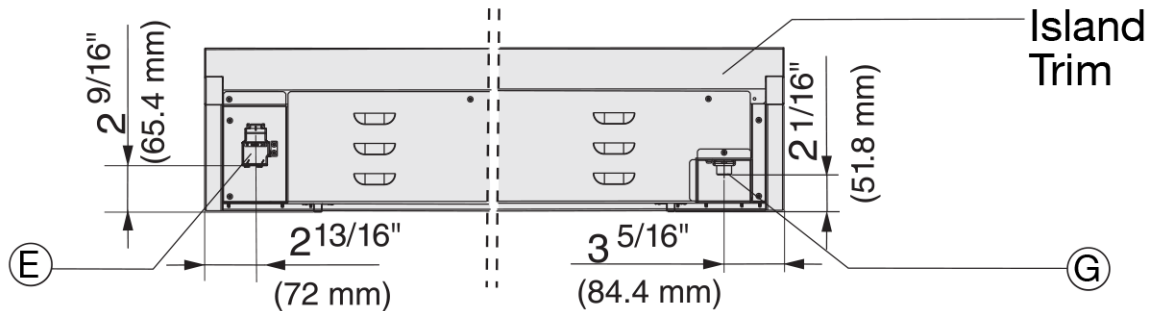
Front View



Side View



Rear View



Length of power cord is 4 ft. (1.2m)

E = Electrical connection

G = Gas connection

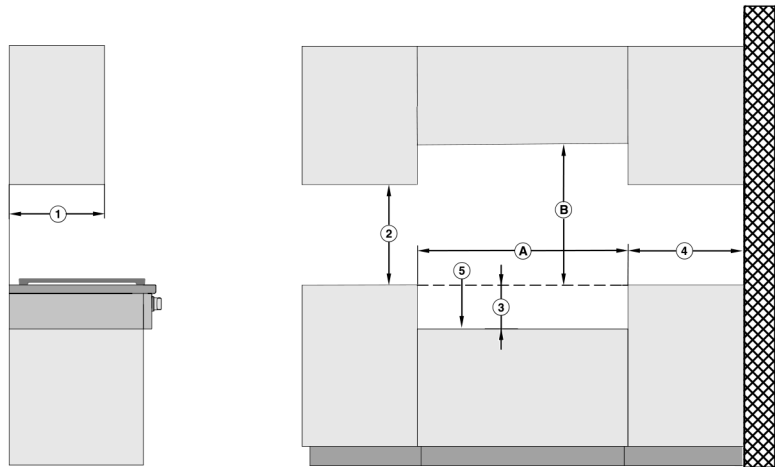
KMR 1134-1 Rangetop

36" Rangetop BTU Output

HR1134-1 Burners (G)

Gas Burners:	(1) 12,500 BTU (G/LP);
	(2) 13,600 BTU (G)
	13,000 BTU (LP);
(3) 19,500 BTU (G/LP)	

Total BTU Output	98,200 BTU (G)
	97,000 BTU (LP)



Position	Dimensions	Description
①	13" (330 mm)	Maximum depth of top cabinet
②	18" (457 mm)	Minimum distance to bottom edge of top cabinet
③	7 ¹ / ₂ " (190.5 mm)	Distance between the top edge of the countertop and the top edge of the support base
④	10" (254 mm)	Minimum distance to combustible surfaces
⑤		Support base ¹⁾
Ⓐ	min. 36" (915 mm)	Niche width
Ⓑ	37" (940 mm)	Minimum distance between the top of the cooking area and the bottom of an unprotected combustible surface.
	36" (915 mm)	Minimum distance between the top of the cooking area and the bottom of the Miele Range Hood (DAR model with DRxB XL blower).
	30" (762 mm)	Minimum distance between the top of the cooking area and the bottom of the Miele Range Hood (DAR model with DRxB XXL blower).
		Refer to the Installation instructions for the Miele ventilation hood, Appliance dimensions (Distance between cooktop and ventilation hood (S)). For all other hoods please consult the manufacturer's specifications for required distances.

Note:

Please observe safe distances to rear combustible surfaces of 12" (305 mm) clearances. For zero clearance installation, Miele Backguards will satisfy the required distance to combustible surfaces. The Miele Backguard is available in 12" (305 mm) or 20" (508 mm) heights.

1) The support base must have a minimum thickness of ³/₄" (19.05 mm).

At the rear right of the support base, a cut-out of 5 1/8" x 7 1/8" (130 mm x 80 mm) must be provided (gas connection) and, at the rear left, a cut-out of 4 6/8" x 1 9/16" (120 mm x 40 mm) (electrical connection).

36" Rangetop

36" Rangetop BTU Output

KMR1135-1 Burners

Gas Burners: (1) 12,500 BTU (G);
(1) 13,600 BTU (G);
(2) 19,500 BTU (G)

Grill Burner: 19,000 BTU (G)

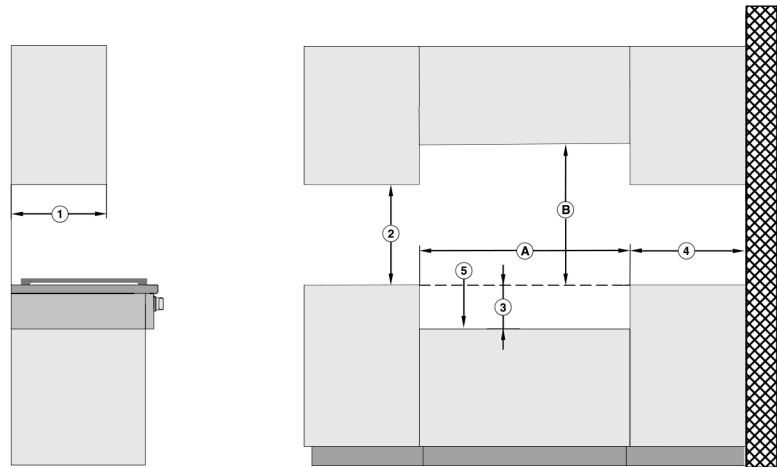
Total BTU Output 84,100 BTU (G)

KMR1136-1 Burners

Gas Burners: (1) 12,500 BTU (G/LP);
(1) 13,600 BTU (G);
13,000 BTU (LP);
(2) 19,500 BTU (G)

Griddle Burner: 13,000 BTU (G);
14,300 BTU (LP)

Total BTU Output 78,100 BTU (G)
78,800 BTU (LP)



Position	Dimensions	Description
①	13" (330 mm)	Maximum depth of top cabinet
②	18" (457 mm)	Minimum distance to bottom edge of top cabinet
③	7 ¹ / ₂ " (190.5 mm)	Distance between the top edge of the countertop and the top edge of the support base
④	10" (254 mm)	Minimum distance to combustible surfaces
⑤		Support base ¹⁾
Ⓐ	min. 36" (915 mm)	Niche width
Ⓑ	37" (940 mm)	Minimum distance between the top of the cooking area and the bottom of an unprotected combustible surface.
	30" (762 mm)	Minimum distance between the top of the cooking area and the bottom of the Miele range hood (DAR model with DRxB XL blower or DRxB XXL blower).
Refer to the Installation instructions for the Miele ventilation hood, Appliance dimensions (Distance between cooktop and ventilation hood (S)). For all other hoods please consult the manufacturer's specifications for required distances.		

Note:

Please observe safe distances to rear combustible surfaces of 12" (305 mm) clearances. For zero clearance installation, Miele Backguards will satisfy the required distance to combustible surfaces. The Miele Backguard is available in 12" (305 mm) or 20" (508 mm) heights.

1) The support base must have a minimum thickness of ³/₄" (19.05 mm).

At the rear right of the support base, a cut-out of 5 1/8" x 7 1/8" (130 mm x 80 mm) must be provided (gas connection) and, at the rear left, a cut-out of 4 6/8" x 1 9/16" (120 mm x 40 mm) (electrical connection).