

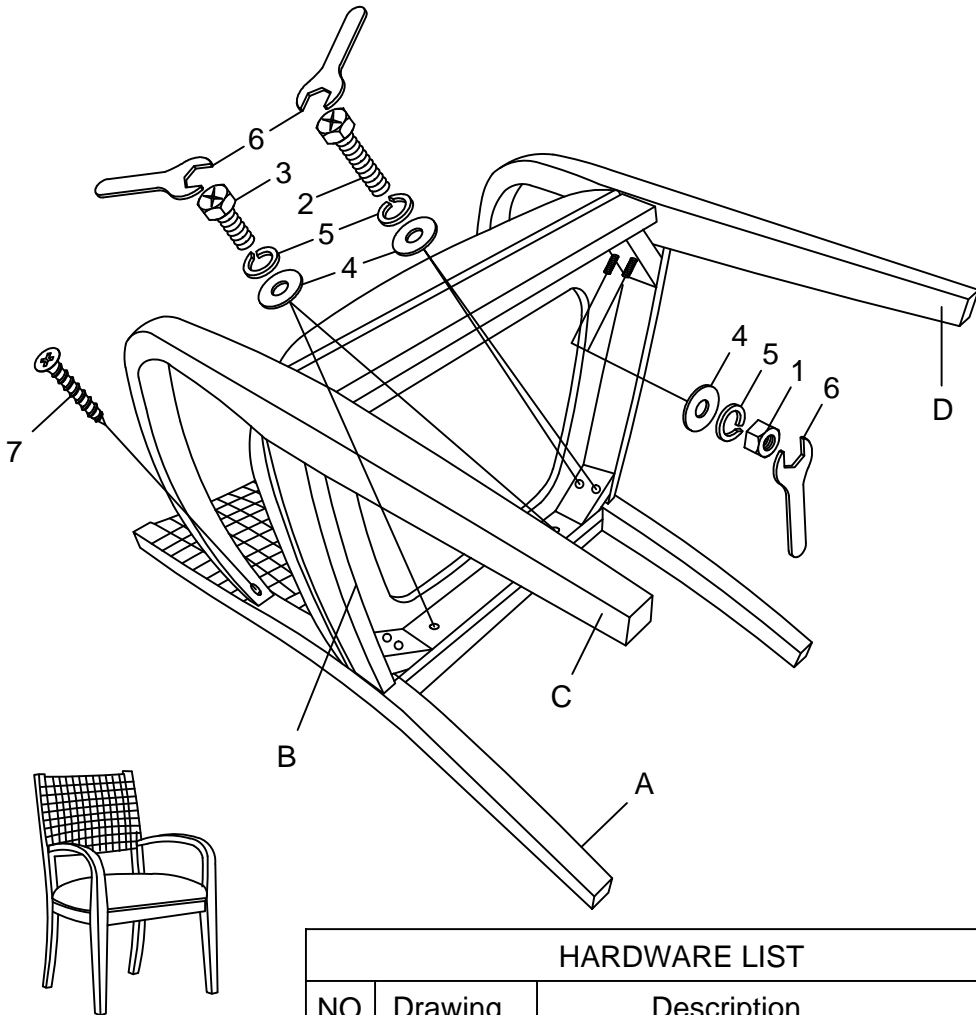
# ASSEMBLY INSTRUCTION

6200-75400-GRY

Artemis Woven Arm Chair

Thank you for purchasing this quality product. Be sure to unpack carefully looking for small parts which may have come loose during shipment.

Read all instruction and study the drawing carefully before starting the assembly process.



PART LIST		
NO.	Description	Q'ty
A	Chair Back	1 pc
B	Seat Frame	1 pc
C	Left Leg	1 pc
D	Right Leg	1 pc

HARDWARE LIST			
NO.	Drawing	Description	Q'ty
1		Hex Nut $\Phi 5/16"$	4 pcs
2		Hexagonal Bolt $\Phi 5/16" \times 2-3/4" L$	4 pcs
3		Hexagonal Bolt $\Phi 5/16" \times 2" L$	2 pcs
4		Flat Washer $\Phi 5/16" \times 19mm$	10 pcs
5		Spring Washer $\Phi 5/16"$	10 pcs
6		Allen Wrench $\Phi 5/16"$	1 pc
7		Wood Screw $8\# \times 1-1/2" L$	2 pcs

Before fully tightening the legs, ensure the chair is level.