




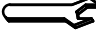



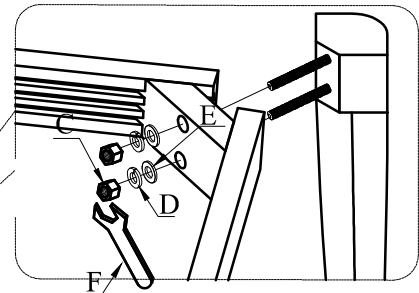
ASSEMBLY INSTRUCTION

Item: 6050-75410 Upholstered Side Chair

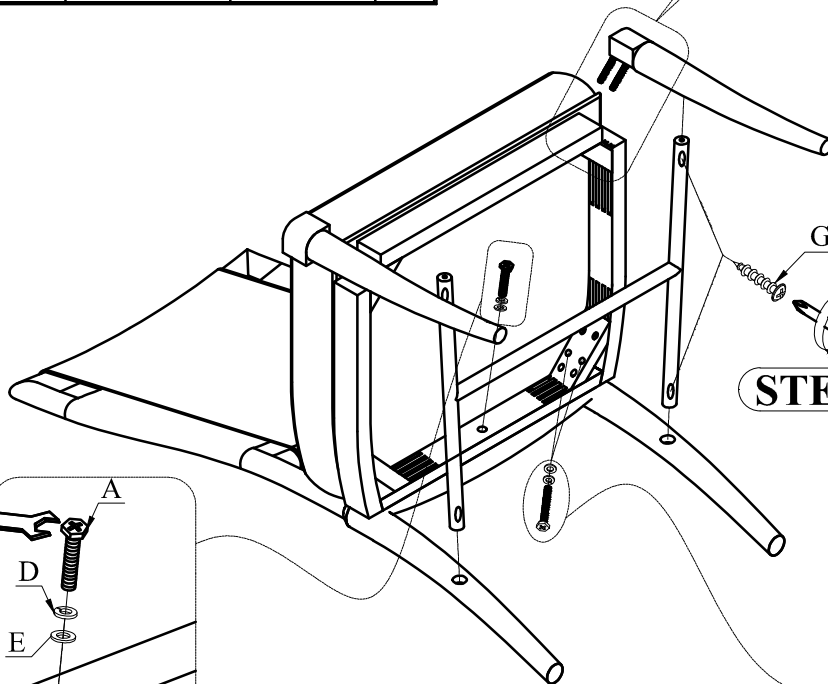
Thank you for purchasing this quality product. Be sure to unpack carefully looking for small parts which may have come loose during shipment.

Read all instruction and study the drawing carefully before starting the assembly process.

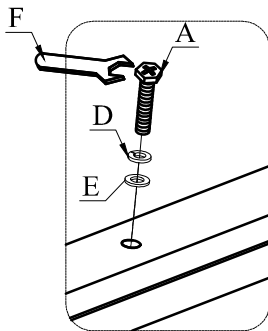
HARDWARE PACK				
NO	DRAWING	DESCRIPTION	SIZE	Q'ty
A		Hexagonal Bolt	$\phi 5/16" * 1-5/8"$	1pc
B		Hexagonal Bolt	$\phi 5/16" * 3-1/8"$	4pcs
C		nut	$\phi 5/16"$	4pcs
D		Lock Washer	$\phi 5/16"$	8pcs
E		Flat Washer	$\phi 5/16" * 19D$	8pcs
F		Open Wrench	13mm	1pc
G		Screw	$\phi 8 * 1-1/4"$	4pcs



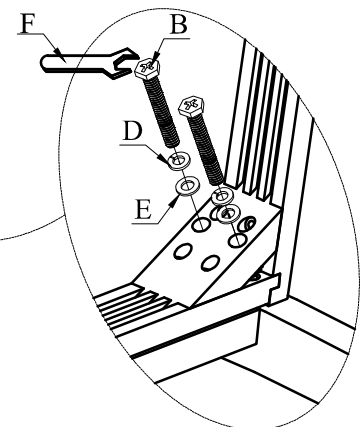
STEP 3



STEP 4



STEP 1



STEP 2

STEP 1. Place the chair back on a smooth and flat surface with boring holes facing up. Attach seat frame to the chair back using bolt (A), lock washer (D) and flat washer (E). Tighten the bolts with an open wrench (F).

STEP 2. Insert the bolts (B), lock washer (D) and flat washer (E) through the corner blocks into the chair back. Tighten the bolts with an open wrench (F). Important: Do not over-tighten.

STEP 3. Attach the front legs to the front corner block of the seat frame using nut (C), lock washer (D) and flat washer (E). Tighten the bolts with an open wrench (F). Important: Do not over-tighten.

STEP 4. Attach the stretcher to the back and front legs with screw (G) and tighten with driver screw. Important: Do not over-tighten

STEP 5. Turn chair upright. To ensure chair is level, tighten bolts (A) & (B), nut (C) using the open wrench while applying downward pressure to the seat.

Note: Before fully tightening the leg, ensure the chair is level.