

Thank you for purchasing this quality product. Be sure to unpack carefully looking for small parts which may have come loose during shipment.

Read all instruction and study the drawing carefully before starting the assembly process.

STEP 1. Prepare leg (1) in the position showed in picture. Make sure both of the leg surface touch the floor.

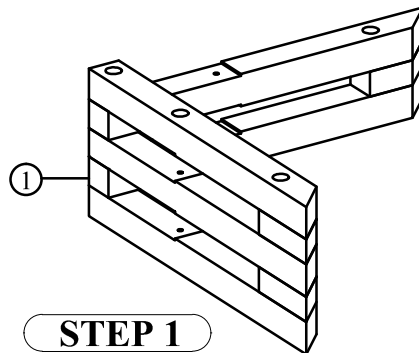
STEP 2. Take the leg (2) and attach according to the picture showed. Make sure all holes are aligned, fix using bolt (A), nut (B), lock washer (C), flat washer (D). Do not tighten the bolt now.

STEP 3. Take the leg (3) and attach according to the picture showed. Make sure all holes are aligned, fix using bolt (A), nut (B), lock washer (C), flat washer (D).

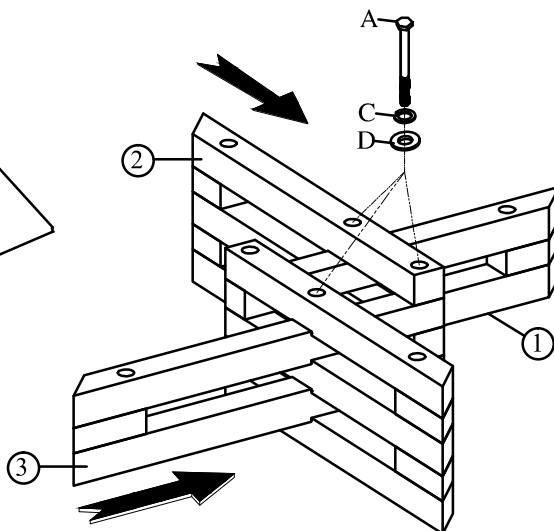
STEP 4. Check every bolt and tighten all bolts for strength. Insert the glass pad (F) into the top of leg (2) and leg (3)

STEP 5. Adjust Leveler if needed to level case on uneven floor.

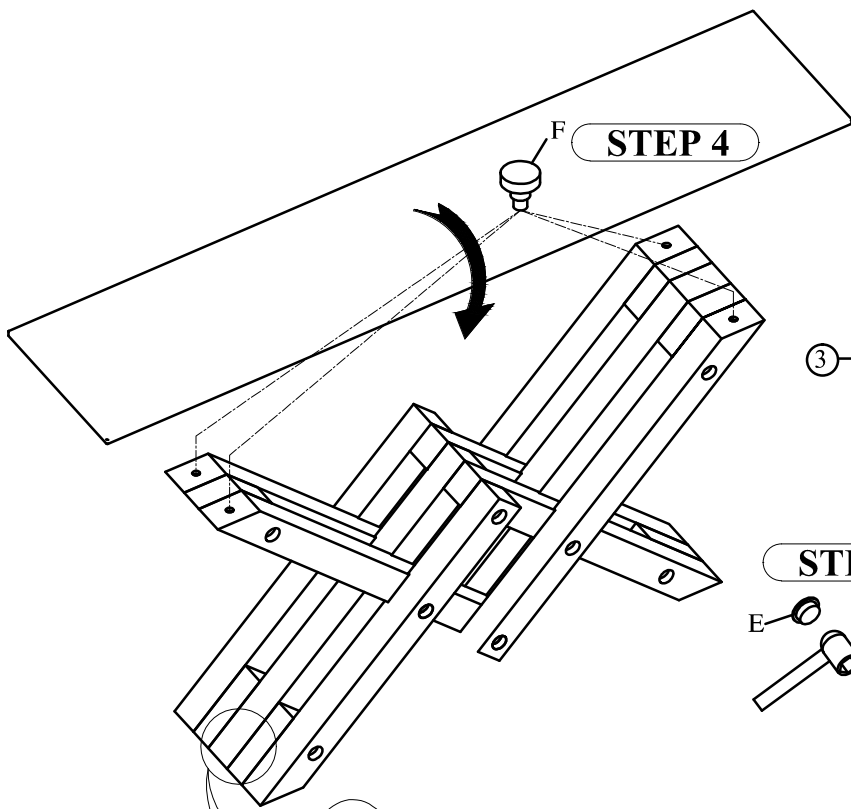
STEP 6. Wood plug (E) are available to be attached to leg parts



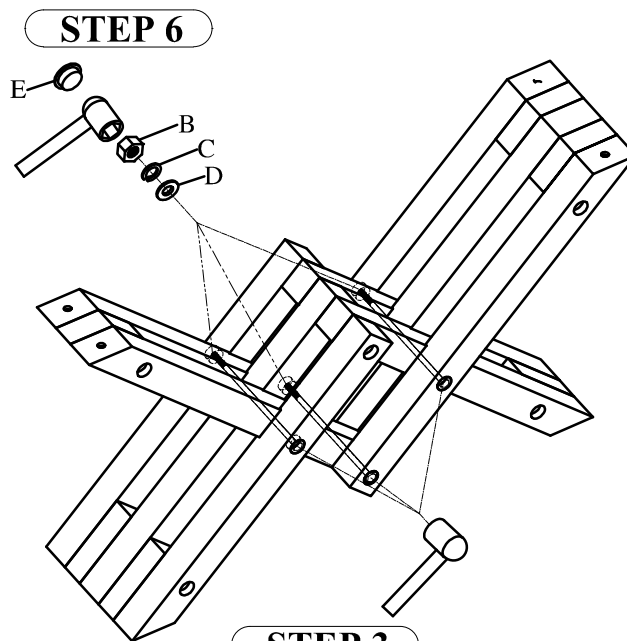
STEP 1



STEP 2



STEP 4



STEP 6

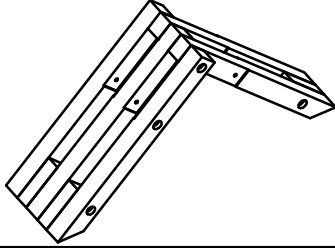
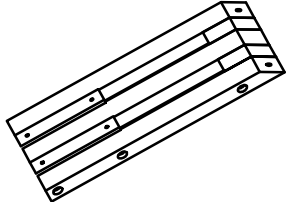
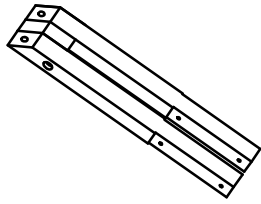
STEP 3

Adjust Leveler if needed to level case on uneven floor.







STEP 5

Item: 6050-85001 Glass Top Accent Console

PARTS LIST

Item No	Drawing	Dimension	Qty
1		1140*330*570	1 pc
2		894*330*72	1 pc
3		894*201*72	1 pcs

HARDWARE LIST

Item No	Drawing	Description	Qty
A		Bolt Ø5/16" x 310mm	3 pcs
B		Nut Ø5/16" x 22mm	3 pcs
C		Lock washer Ø5/16"	6 pcs
D		Flat washer Ø5/16"*19mm	6 pcs
E		Wood Plug Ø41*18mm	8 pcs
F		Glass Pad	4 pcs