

Frigidaire®



*Gas & Electric
Cooktops*



Gas Cooktops

Today as always, Frigidaire® innovation leads the home appliance industry. Our ingenuity anticipates consumer demand, delivering products of exceptional performance, convenience and style. From saving time to saving energy, Frigidaire® embodies the cutting edge of appliance design.

Our Sealed Gas Burner System, with a BTU output ranging from 5,000 to 14,000, is so easy to clean that even the burner heads are dishwasher safe. And, the ultrasmooth surface of our Gas-Through-Glass System makes wiping up spills incredibly easy.

Professional and UltraSoft™ Cast Iron Burner Grates are porcelain coated and heavy duty. They look great and are super stable. The Venturi Gas Burner System has a maximum output of 9,000 BTUs and is LP convertible.

Our Deep Sump cooktop combined with Continuous Grates that are flush with your countertop make it easy to slide even the heaviest stock pot off of the cooktop and make the cooking surface easy to clean.

For the family chef who does more than follow a recipe, Frigidaire® quality leads the way.

KEY FEATURES



Sealed Gas Burner System helps keep spills on the cooktop surface. The removable burner heads are dishwasher safe for easy cleanup. The maximum BTU output of the burners varies from 5,000 to 14,000.



Full-Width Grate System provides a continuous cooking surface with a new low-profile design.



Cast Iron Burner Grates are featured on all sealed burner models. Both the Professional and UltraSoft™ style grates are porcelain coated and heavy duty. They look great and provide a stable cooking platform.



Gas-Through-Glass Cooktop features the sleek look of ceramic glass with an easy-to-clean surface.



Venturi Gas Burner System features easy cleanup with economical performance. The burners output 9,000 BTUs and are LP convertible. Porcelain coated steel grates are featured on venturi models.



Deep Sump Cooking Surface provides easy cleanup and superior spill protection.

Professional Series®

Sealed Burners



PLGC36S9E C

- 36" Stainless Steel Deep Sump Cooktop
- 1 - 14,000 BTU Sealed Power Burner
- 1 - 12,000 BTU Sealed Burner
- 2 - 9,500 BTU Sealed Burners
- 1 - 5,000 BTU (675 Low Simmer) Sealed Burner
- Full-Width Pro-Style Cast Iron Grates and Burner Caps with Pro Matte Finish
- Center-Mounted Linear Flow Gas Valves
- Removable Professional-Style Knobs



PLGC30S9E C

- 30" Stainless Steel Deep Sump Cooktop
- 1 - 14,000 BTU Sealed Power Burner
- 1 - 12,000 BTU Sealed Burner
- 1 - 9,500 BTU Sealed Burner
- 1 - 5,000 BTU (675 Low Simmer) Sealed Burner
- Full-Width Pro-Style Cast Iron Grates and Burner Caps with Pro Matte Finish
- Side-Mounted Linear Flow Gas Valves
- Removable Professional-Style Knobs

Gallery Series®

Sealed Burners



GLGC36S9E S/Q/B

- 36" Porcelain Deep Sump Cooktop
- 1 - 14,000 BTU Sealed Power Burner
- 1 - 12,000 BTU Sealed Burner
- 2 - 9,500 BTU Sealed Burners
- 1 - 5,000 BTU (675 Low Simmer) Sealed Burner
- Full-Width UltraSoft™ Design Cast Iron Grates and Burner Caps
- Center-Mounted Linear Flow Gas Valves
- Removable Control Knobs
- Available in White, Bisque or Black



GLGC30S9E S/Q/B

- 30" Porcelain Deep Sump Cooktop
- 1 - 14,000 BTU Sealed Power Burner
- 1 - 12,000 BTU Sealed Burner
- 1 - 9,500 BTU Sealed Burner
- 1 - 5,000 BTU (675 Low Simmer) Sealed Burner
- Full-Width UltraSoft™ Design Cast Iron Grates and Burner Caps
- Side-Mounted Linear Flow Gas Valves
- Removable Control Knobs
- Available in White, Bisque or Black

Gallery Series®

Sealed Burners



GLGC36S8E S/Q/B

- 36" Gas-Through-Glass Cooktop
- 1 - 14,000 BTU Sealed Power Burner
- 1 - 11,000 BTU Sealed Burner
- 2 - 9,500 BTU Sealed Burners
- 1 - 5,000 BTU (675 Low Simmer) Sealed Burner
- Full-Width UltraSoft™ Design Cast Iron Grates and Burner Caps
- Center-Mounted Linear Flow Gas Valves
- Removable Control Knobs
- Available in White, Bisque or Black



GLGC30S8E S/Q/B

- 30" Gas-Through-Glass Cooktop
- 1 - 14,000 BTU Sealed Power Burner
- 1 - 11,000 BTU Sealed Burner
- 1 - 9,500 BTU Sealed Burner
- 1 - 5,000 BTU (675 Low Simmer) Sealed Burner
- Full-Width UltraSoft™ Design Cast Iron Grates and Burner Caps
- Side-Mounted Linear Flow Gas Valves
- Removable Control Knobs
- Available in White, Bisque or Black

Frigidaire®
Sealed Burners



FGC36S6A S/B

- 36" Narrow Depth (18") Gas-on-Glass Cooktop
- 1 - 12,000 BTU Sealed Power Burner
- 2 - 9,100 BTU Sealed Burners
- 1 - 5,000 BTU (500 Low Simmer) Sealed Burner
- UltraSoft™ Design Cast Iron Grates and Burner Caps
- Front-Mounted Linear Flow Gas Valves
- Removable Control Knobs
- Available in White and Black



FGC36S5E C

- 36" Narrow Depth (18") Stainless Steel Spill-Control Cooktop
- 1 - 12,000 BTU Sealed Power Burner
- 2 - 9,100 BTU Sealed Burners
- 1 - 5,000 BTU (500 Low Simmer) Sealed Burner
- UltraSoft™ Design Cast Iron Grates and Burner Caps
- Front-Mounted Linear Flow Gas Valves
- Removable Control Knobs



FGC36S5A W/B

- 36" Narrow Depth (18") Porcelain Spill-Control Cooktop
- 1 - 12,000 BTU Sealed Power Burner
- 2 - 9,100 BTU Sealed Burners
- 1 - 5,000 BTU (500 Low Simmer) Sealed Burner
- UltraSoft™ Design Cast Iron Grates and Burner Caps
- Front-Mounted Linear Flow Gas Valves
- Removable Control Knobs
- Available in White and Black

Frigidaire[®]
Sealed Burners



FGC30S4D C

- 30" Stainless Steel Spill-Control Cooktop
- 1 - 12,000 BTU Sealed Power Burner
- 2 - 9,100 BTU Sealed Burners
- 1 - 5,000 BTU (500 Low Simmer) Sealed Burner
- UltraSoft™ Design Cast Iron Grates and Burner Caps
- Side-Mounted Linear Flow Gas Valves
- Removable Control Knobs



FGC30S4A S/Q

- 30" Porcelain Spill-Control Cooktop
- 1 - 12,000 BTU Sealed Power Burner
- 2 - 9,100 BTU Sealed Burners
- 1 - 5,000 BTU (500 Low Simmer) Sealed Burner
- UltraSoft™ Design Cast Iron Grates and Burner Caps
- Side-Mounted Linear Flow Gas Valves
- Removable Control Knobs
- Available in White and Bisque

Also Available:

FGC30S4D B

- 30" Porcelain Spill-Control Cooktop
- Available in Black
- Same Features as FGC30S4A S/Q

Frigidaire®
Open Burners



FGC36C4A W/U

- 36" Narrow Depth (18") Porcelain Spill-Control Cooktop
- 4 - 9,000 BTU Conventional Burners
- Electronic Pilotless Ignition
- Round Porcelain-Coated Steel Grates
- Removable Chrome Drip Pans
- Lift-Up Cooktop for Easy Cleaning
- Front-Mounted Removable Knobs
- Available in White and Bisque



FGC30C3A W/U

- 30" Porcelain Spill-Control Cooktop
- 4 - 9,000 BTU Conventional Burners
- Electronic Pilotless Ignition
- Round Porcelain-Coated Steel Grates
- Lift-Up Cooktop for Easy Cleaning
- Side-Mounted Removable Knobs
- Available in White and Bisque



FGC26C3A W/U

- 26" Porcelain Spill-Control Cooktop
- 4 - 9,000 BTU Conventional Burners
- Electronic Pilotless Ignition
- Round Porcelain-Coated Steel Grates with Chrome Drip Pans
- Lift-Up Cooktop for Easy Cleaning
- Side-Mounted Removable Knobs
- Available in White and Bisque

Electric Cooktops

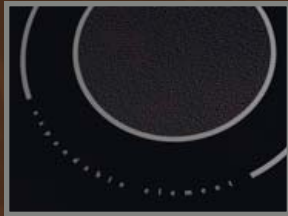
Today as always, Frigidaire® innovation leads the home appliance industry. Our ingenuity anticipates consumer demand, delivering products of exceptional performance, convenience and style. From saving time to saving energy, Frigidaire® embodies the cutting edge of appliance design.

Our High-Performance Expandable Element is two elements in one and adjusts in size and wattage depending on your needs. For those models with a coil cooking element, our Multi-Wrap Coil Element increases surface contact and provides fast heating.

The Center Warm and Serve™ Zone Element features a low voltage warmer burner while a Bridge Element joins front and back burners to create a cooking surface ideal for a griddle or extra-large pot.

Finally, Precision Set™ Surface Controls enable precise control from simmer to boil and everything in between. From saving time to saving energy, Frigidaire® embodies the cutting edge of appliance design.

KEY FEATURES



High-Performance Expandable Element is two elements in one. A 9" 2500 watt for large pots and an inner 6" 1200 watt small element. Selectable via a bi-directional infinite switch.



Precision Set™ Surface Controls bring the latest innovation in the industry to electric surface cooking, enabling precise and accurate control from simmer, warm to boil and everything in



Multi-Wrap Coil Elements with increased coil surface contact area (thanks to increased # of turns) provide fast heating and a stable cooking surface.



QuadMaxx™ is a ceramic, smoothtop cooking surface featuring four expandable burners, providing just the right amount of heat to fit a wide variety of pot or pan sizes for extreme flexibility.



Center Warm & Serve™ Zone Element features a low wattage (100 watt / 120 volt) element designed to keep foods warm until served. Operated



Bridge (800 watts)
7" Diameter (1800 watts)

Bridge Element can be selected to expand the traditionally sized front 7" diameter element, both operated via a bi-directional infinite switch. Or use Front, Bridge and Back elements together to create an 18" x 7" heated area with 4400 watts output, perfect for griddles or large, oblong pans.

Professional Series®

Smoothtops



PLEC36S9E C

- 36" Smoothtop Ceramic Cooking Surface with Pencil Edge Design
- QuadMaxx™ Cooking Surface
- 2-5" to 7" Expandable Ribbon Elements
- 2-6" to 9" Expandable Ribbon Elements
- 1-6" Radiant Ribbon Element
- 5-Position "Hot" Surface Indicator Lights
- Precision Set™ Front-Mounted Surface Controls
- Stainless Steel Trims



PLEC30S9E C

- 30" Smoothtop Ceramic Cooking Surface with Pencil Edge Design
- QuadMaxx™ Cooking Surface
- 2-5" to 7" Expandable Ribbon Elements
- 2-6" to 9" Expandable Ribbon Elements
- QuadMaxx™ Expandable Elements
- 4-Position "Hot" Surface Indicator Lights
- Precision Set™ Side-Mounted Surface Controls
- Stainless Steel Trims

Gallery Series®

Smoothtops



GLEC36S9E S/Q/B

- 36" Smoothtop Ceramic Cooking Surface with Pencil Edge Design
- QuadMaxx™ Cooking Surface
- 2-5" to 7" Expandable Ribbon Elements
- 2-6" to 9" Expandable Ribbon Elements
- 1-6" Radiant Ribbon Element
- Precision Set™ Front-Mounted Surface Controls
- 5-Position "Hot" Surface Indicator Lights
- Removable Control Knobs
- Available in White, Bisque or Black



GLEC30S9E S/Q/B

- 30" Smoothtop Ceramic Cooking Surface with Pencil Edge Design
- QuadMaxx™ Cooking Surface
- 2-5" to 7" Expandable Ribbon Elements
- 2-6" to 9" Expandable Ribbon Elements
- QuadMaxx™ Expandable Elements
- Precision Set™ Side-Mounted Surface Controls
- 4-Position "Hot" Surface Indicator Lights
- Removable Control Knobs
- Available in White, Bisque or Black

Gallery Series®

Smoothtops



GLEC36S8E S/Q/B

- 36" Ceramic Cooking Surface with Flush-Look Beveled Edge Design
- 7" / 7" Bridge Element
- 1 - 6" to 9" Expandable Element
- 1 - 6" Radiant Element
- Warm & Serve™ Zone
- 5-Position "Hot" Surface Indicator Lights
- Front-Mounted Removable Control Knobs
- Available in White, Bisque or Black



GLEC30S8E S/Q/B

- 30" Ceramic Cooking Surface with Flush-Look Beveled Edge Design
- 7" / 7" Bridge Element
- 1 - 6" to 9" Expandable Element
- 1 - 6" Radiant Element
- 4-Position "Hot" Surface Indicator Lights
- Removable Control Knobs
- Available in White, Bisque or Black

Frigidaire[®]
Smoothtops



FEC36S7E C

- 36" Smoothtop Ceramic Cooking Surface with Pencil Edge
- 1 - 9" High-Performance 2700 Watt Ribbon Element
- 1 - 6" to 9" Expandable Ribbon Element
- 2 - 6" Radiant Ribbon Elements
- Warm & Serve™ Zone
- 5-Position "Hot" Surface Indicator Lights
- Removable Control Knobs
- Stainless Steel Trim



FEC36S7E S/B

- 36" Smoothtop Ceramic Cooking Surface with Pencil Edge
- 1 - 9" High-Performance 2700 Watt Ribbon Element
- 1 - 6" to 9" Expandable Ribbon Element
- 2 - 6" Radiant Ribbon Elements
- Warm & Serve™ Zone
- 5-Position "Hot" Surface Indicator Lights
- Removable Control Knobs
- Available in White and Black

Frigidaire[®]
Smoothtops



FEC30S7E C

- 30" Smoothtop Ceramic Cooking Surface with Pencil Edge
- 1 - 9" High-Performance 2700 Watt Ribbon Element
- 1 - 6" to 9" Expandable Ribbon Element
- 2 - 6" Radiant Ribbon Elements
- 4-Position "Hot" Surface Indicator Lights
- Removable Control Knobs
- Stainless Steel Trim



FEC30S7E S/B

- 30" Smoothtop Ceramic Cooking Surface with Pencil Edge
- 1 - 9" High-Performance 2700 Watt Ribbon Element
- 1 - 6" to 9" Expandable Ribbon Element
- 2 - 6" Radiant Ribbon Elements
- 4-Position "Hot" Surface Indicator Lights
- Removable Control Knobs
- Available in White and Black

Frigidaire®

Smoothtops



FEC36S6E S/B

- 36" Smoothtop Ceramic Cooking Surface with Beveled Edge
- 1 - 9" High-Performance 2500 Watt Ribbon Element
- 1 - 8" Radiant Ribbon Element
- 2 - 6" Radiant Ribbon Elements
- 5-Position "Hot" Surface Indicator Lights
- Warm & Serve™ Zone
- Center-Mounted Removable Control Knobs
- Available in White and Black



FEC32S6A S/B

- 32" Smoothtop Ceramic Cooking Surface with Beveled Edge
- 1 - 9" High-Performance 2500 Watt Ribbon Element
- 1 - 8" Radiant Ribbon Element
- 2 - 6" Radiant Ribbon Elements
- Hot Surface Indicator
- Removable Control Knobs
- Available in White and Black



FEC30S6A S/B

- 30" Smoothtop Ceramic Cooking Surface with Beveled Edge
- 1 - 9" High-Performance 2500 Watt Ribbon Element
- 1 - 8" Radiant Ribbon Element
- 2 - 6" Radiant Ribbon Elements
- Hot Surface Indicator
- Removable Control Knobs
- Available in White and Black

Also Available: FEC30S6D Q

- 30" Smoothtop Ceramic Cooking Surface with Beveled Edge
- Available in Bisque
- Same Features as FEC30S6A S/B

Frigidaire[®]

Coil Tops



FEC32C4A S/Q/C

- 32" Spill Saver™ Porcelain/Chrome Cooktop
- 2 - 8" Multi-Wrap Coil Elements
- 2 - 6" Multi-Wrap Coil Elements
- Chrome Drip Bowls
- Surface "ON" Indicator
- Removable Control Knobs
- Available in White, Bisque and Brushed Chrome



FEC36C4A S/C

- 36" Spill Saver™ Porcelain/Chrome Cooktop
- 2 - 8" Multi-Wrap Coil Elements
- 2 - 6" Multi-Wrap Coil Elements
- Chrome Drip Bowls
- Surface "ON" Indicator
- Removable Control Knobs
- Lift-Up Cooktop
- Available in White and Brushed Chrome



FEC36C2A S/Q

- 36" Spill Saver™ Porcelain Cooktop
- Exclusive Slimline 18" Depth Design
- 2 - 8" Coil Elements
- 2 - 6" Coil Elements
- Chrome Drip Bowls
- Surface "ON" Indicator
- Removable Control Knobs
- Lift-Up Cooktop
- Available in White and Bisque

Frigidaire[®]
Coil Tops



FEC30C4A S/Q/B/C

- 30" Spill Saver™ Porcelain/Chrome Cooktop
- 2- 8" Multi-Wrap Coil Elements
- 2- 6" Multi-Wrap Coil Elements
- Chrome Drip Bowls
- Surface "ON" Indicator
- Lift-Up Cooktop
- Removable Control Knobs
- Available in White, Bisque, Black and Brushed Chrome



FEC26C2A S/Q/C

- 26" Spill Saver™ Porcelain/Chrome Cooktop
- 1- 8" Coil Element
- 3- 6" Coil Elements
- Chrome Drip Bowls
- Surface "ON" Indicator
- Lift-Up Cooktop
- Removable Control Knobs
- Available in White, Bisque and Brushed Chrome

Accessories



5304433208

18-Oz. Cerama Bryte Cooktop Cleaner

Remove stubborn stains from your glass cooktop with Cerama Bryte cooktop cleaner. Cerama Bryte works hard to remove baked-on food stains and spills without scratching or marring your appliance's finish.



5304436717

Stainless Steel Cleaning Polish & Conditioner

Polish your stainless steel appliance to a darker shine with our stainless steel polish. It removes fingerprints quickly and easily while leaving a protective shine.



5304436288

Kitchen Care Kit

The Kitchen Care Kit contains everything you need to help keep your appliances looking beautiful. Our nonabrasive kitchen cleaners work hard to remove tough, baked-on food stains and spills. The kit also contains a microfiber sponge and scraper to assist with those tough stains.



5304434804

Nonabrasive Microfiber

Sponge Make cleanup a breeze with our microfiber sponge. Soft, nonabrasive microfiber won't mar the finish on your products. Microfiber sponge gently and effectively wipes away tough stains. Toss in the washing machine to freshen up.



5304433275

16-Oz. Stainless Steel Appliance Cleaner

To preserve the beautiful look of your appliances for years to come, try our nonabrasive kitchen cleaners. Our stainless steel cleaner provides superior protection and guards against smudges. Its spray trigger is designed to cover larger surfaces.



5304433278

Glass & Ceramic Cooktop Scraper

The scraper assists in removing burned-on food from glass and ceramic cooktops. It's great for cleaning hard-to-remove stains without scratching ceramic and glass cooktops. Its easy-to-grip handle makes cleaning safe and easy.



5305512345

Stainless Steel Cleaning Polish & Conditioner Wipes

Protect your appliances with our handy stainless steel wipes. Remove fingerprints and smooth smudges while leaving an even, streak-free surface. Our stainless steel cleaning wipes come in a convenient, ready-to-use canister which is great for those quick touch-ups and spot cleaning.



GMBLUEC, GMREDEC, GMGRNEC, GMBLKEC

Kitchen Grips

Protect your family and yourself from dangerous scalds or burns with these revolutionary oven mitts and potholders. Constructed of a new material that is stain-free, impermeable to liquids, and resistant to heat up to 500 degrees. Mitt can be used on the left or right hand.

SEALED BURNER COOKTOPS

Models	PLGC36S9E	GLGC36S9E	GLGC36S8E	FGC36S6A	FGC36S5E	FGC36S5A
Series	Professional	Gallery	Gallery	Frigidaire	Frigidaire	Frigidaire
Nominal Product Size	36"	36"	36"	36"	36"	36"
Cooktop Features						
Stainless Steel Cooktop	•				Spill Control	
Ceramic Glass Cooktop Surface			•	•		
Porcelain Cooktop		•				Spill Control
Deep Sump Cooktop	•	•				
Cast Iron Grates	Full-Width Pro Matte	Full-Width Gloss	Full-Width Gloss	Gloss	Gloss	Gloss
Black Porcelain Drip Pans					•	•
Color-Coordinated Porcelain Drip Pans				•		
Sealed Burner - 14,000 BTU Power Burner						
Sealed Burner - 12,000 BTU Power Burner						
Sealed Burner - 11,000 BTU Power Burner						
Sealed Burner - 9,500 BTU	2	2	2			
Sealed Burner - 9,100 BTU				2	2	2
Sealed Burner - 5,000 BTU (Low Simmer)						
Linear Flow Burner Valves	•	•	•	•	•	•
Electronic Ignition	•	•	•	•	•	•
Color / UPC (0-57112-)						
Stainless Steel & Black (C)	09098-6				09017-1	
White-on-White (S)		09095-5	09084-9	08050-5		
Bisque-on-Bisque (Q)		09096-2	09085-6			
Black-on-Black (B)		09097-9	09086-3	08051-2		08049-9
White (W)						08048-2
Specifications						
Gas Inlet Location	Right Rear	Right Rear	Right Rear	Right Rear	Right Rear	Right Rear
Shipping Weight (Approx.)	60 Lbs.	50 Lbs.	50 Lbs.	35 Lbs.	39 Lbs.	36 Lbs.
LP Conversion Kit (Optional Accessory)	Included	Included	Included	Included	Included	Included
120V/60Hz/15 Amp Power Source Required	•	•	•	•	•	•
Combination with Under-Counter Wall Oven	•	•	•	•	•	•

SEALED BURNER COOKTOPS

Models	PLGC30S9E	GLGC30S9E	GLGC30S8E	FGC30S4DC	FGC30S4D	FGC30S4A
Series	Professional	Gallery	Gallery	Frigidaire	Frigidaire	Frigidaire
Nominal Product Size	30"	30"	30"	30"	30"	30"
Cooktop Features						
Stainless Steel Cooktop	•			Spill Control		
Ceramic Glass Cooktop Surface			•			
Porcelain Cooktop		•			Spill Control	Spill Control
Deep Sump Cooktop	•	•				
Cast Iron Grates	Full-Width Pro Matte	Full-Width Gloss	Full-Width Gloss	Gloss	Gloss	Gloss
Black Porcelain Drip Pans				•	•	•
Color-Coordinated Porcelain Drip Pans						
Sealed Burner - 14,000 BTU Power Burner						
Sealed Burner - 12,000 BTU Power Burner						
Sealed Burner - 11,000 BTU Power Burner						
Sealed Burner - 9,500 BTU						
Sealed Burner - 9,100 BTU				2	2	2
Sealed Burner - 5,000 BTU (Low Simmer)						
Linear Flow Burner Valves	•	•	•	•	•	•
Electronic Ignition	•	•	•	•	•	•
Color / UPC (0-57112-)						
Stainless Steel & Black (C)	09091-7			08791-7		
White-on-White (S)		09087-0	09081-8			08052-9
Bisque-on-Bisque (Q)		09088-7	09082-5			08053-6
Black-on-Black (B)		09090-0	09083-2		08907-2	
White (W)						
Specifications						
Gas Inlet Location	Right Rear	Right Rear	Right Rear	Right Rear	Right Rear	Right Rear
Shipping Weight (Approx.)	46 Lbs.	48 Lbs.	40 Lbs.	43 Lbs.	43 Lbs.	43 Lbs.
LP Conversion Kit (Optional Accessory)	Included	Included	Included	Included	Included	Included
120V/60Hz/15 Amp Power Source Required	•	•	•	•	•	•
Combination with Under-Counter Wall Oven	•	•	•			



SEALED BURNER RATINGS

Maximum Output -	Low Turn-Down Output -
14,000 BTU Natural Gas/11,000 BTU LP Gas	1,800 BTU Natural Gas/1,800 BTU LP Gas
13,000 BTU Natural Gas/11,000 BTU LP Gas	1,800 BTU Natural Gas/1,800 BTU LP Gas
12,000 BTU Natural Gas/11,000 BTU LP Gas	1,800 BTU Natural Gas/1,800 BTU LP Gas
11,000 BTU Natural Gas/10,000 BTU LP Gas	1,800 BTU Natural Gas/1,800 BTU LP Gas
9,500 BTU Natural Gas/8,000 BTU LP Gas	1,200 BTU Natural Gas/1,200 BTU LP Gas
9,100 BTU Natural Gas/7,500 BTU LP Gas	1,200 BTU Natural Gas/1,200 BTU LP Gas
5,000 BTU Natural Gas/4,000 BTU LP Gas	675 BTU Natural Gas/675 BTU LP Gas

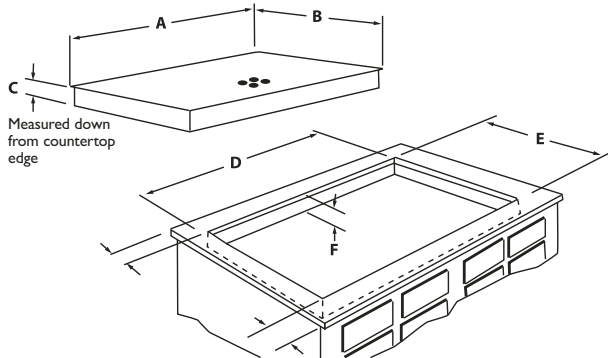
OPEN BURNER COOKTOPS

Models	FGC36C4A	FGC30C3A	FGC26C3A
Series	Frigidaire	Frigidaire	Frigidaire
Nominal Product Size	36"	30"	26"
Cooktop Features			
Porcelain Spill-Control Cooktop	•	•	•
Porcelain-Coated Round Steel Grates	•	•	•
Chrome Drip Pans	•	•	•
Four 9,000 BTU Conventional Burners	•	•	•
Electronic Ignition	•	•	•
Lift-Up Cooktop with Support Rod	•	•	•
Lift-Up Cooktop	•	•	•
Removable Knobs	•	•	•
Color / UPC (0-57112-)			
White (W)	08046-8	08141-0	08044-4
Bisque (U)	08047-5	08142-7	08045-1
Specifications			
Gas Inlet Location	Middle Front	Right Rear	Right Rear
Shipping Weight (Approx.)	26 Lbs.	28 Lbs.	26 Lbs.
LP Convertible (No Parts Required)	•	•	•
120V/60Hz/15 Amp Power Source Required	•	•	•
Open Burner Ratings			
9,000 BTU - Natural Gas/7,500 BTU - LP Gas			



GAS COOKTOP INSTALLATION

The following dimension and cutout information is for planning purposes only. For complete installation details consult manual packed with product, or download manual at Customer Service, online at www.frigidaire.com.



GAS COOKTOP DIMENSIONS

Models	Exterior Dimensions			Cutout Dimensions				F - Clearance Required U/C	Gas Inlet Location	Install Over U/C Wall Oven
	A - Width	B - Depth	C - Height	D - Width		E - Depth				
				Minimum	Maximum	Minimum	Maximum			
36" Cooktops										
PLGC36S9E	36"	21-1/2"	2-3/4"	33-7/8"	34-1/4"	19-1/8"	19-3/4"	8"	Right Rear	•
GLGC36S9E	36"	21-1/2"	2-3/4"	33-7/8"	34-1/4"	19-1/8"	19-3/4"	8"	Right Rear	•
GLGC36S8E	36"	21-1/2"	2-3/4"	32-3/4"	33"	19"	19-3/8"	5"	Right Rear	•
FGC36S6A	36"	18"	3-1/2"	34-1/4"	34-3/8"	16-5/8"	16-3/4"	5"	Right Rear	•
FGC36S5E	36"	18"	3-1/2"	34-1/4"	34-3/8"	16-5/8"	16-3/4"	5"	Right Rear	•
FGC36S5A	36"	18"	3-1/2"	34-1/4"	34-3/8"	16-5/8"	16-3/4"	5"	Right Rear	•
FGC36C4A	36"	18-5/8"	3-1/4"	34-1/4"	34-3/8"	16-5/8"	16-3/4"	5"	Mid-Front	
30" Cooktops										
PLGC30S9E	30"	21-1/2"	2-3/4"	27-1/4"	28-1/2"	19-1/8"	19-3/4"	8"	Right Rear	•
GLGC30S9E	30"	21-1/2"	2-3/4"	27-1/4"	28-1/2"	19-1/8"	19-3/4"	8"	Right Rear	•
GLGC30S8E	30"	21-1/2"	2-3/4"	26-5/8"	26-7/8"	19"	19-3/4"	5"	Right Rear	•
FGC30S4D	30"	21-1/2"	3-1/8"	26-5/8"	26-7/8"	19"	19-3/8"	5"	Right Rear	
FGC30S4A	30"	21-1/2"	3-1/8"	26-5/8"	26-7/8"	19"	19-3/8"	5"	Right Rear	
FGC30C3A	30"	21-1/2"	3-1/8"	26-5/8"	26-7/8"	19"	19-3/8"	5"	Right Rear	
26" Cooktops										
FGC26C3A	25-3/4"	21-9/16"	3-1/2"	25"	25"	20-1/2"	20-1/2"	5"	Right Rear	

ELECTRIC SMOOTHTOP COOKTOPS

Models	PLEC36S9E	GLEC36S9E	GLEC36S8E	FEC36S7EC	FEC36S7E	FEC36S6E
Series	Professional	Gallery	Gallery	Frigidaire	Frigidaire	Frigidaire
Nominal Product Size	36"	36"	36"	36"	36"	36"
Cooktop Features						
White Ceramic Glass Cooktop		*	*		*	*
Bisque Ceramic Glass Cooktop		*	*			
Black Ceramic Cooktop		*	*		*	*
Black Ceramic with Stainless Steel Trim Cooktop	*			*		
QuadMaxx™ Cooking Surface	*	*				
7" / Bridge/7" (1800W/800W/1800W) Element						
5" to 7" (750W/1800W) Expandable Element	2	2				
6" to 9" (1200W/2500W) Expandable Element	2	2				
9" to 12" (1700W/2700W) Expandable Element						
Warm & Serve™ Zone						
9" (2500W) Element						
8" (2200W) Element						
7" (1800W) Element						
6" (1200W) Element				2	2	2
Precision Set™ Surface Controls	*	*				
Hot Surface Indicator Light (# Positions)	5	5	5	5	5	5
Color / UPC (0-57112-)						
White-on-White (S)		09008-5	09212-6		09078-8	09076-4
Bisque-on-Bisque (Q)		09004-7	09213-3			
Black-on-Black (B)		09005-4	09211-9		09079-5	09077-1
Black with Stainless Steel Trim (C)	09002-3			09080-1		
Dimensions / Specifications						
Armored Electrical Cable	Included	Included	Included	Included	Included	Included
Cable Location	Left Front	Left Front	Middle	Middle	Middle	Middle
Combination with Under-Counter Wall Oven	*	*	*	*	*	*
Shipping Weight (Approx.)	49 Lbs.	47 Lbs.	45 Lbs.	43 Lbs.	42 Lbs.	42 Lbs.
Connected Load (kW Rating) 240/208 Volts	9.8/8.5	9.8/8.5	8.3/6.2	7.8/5.9	7.8/5.9	7.3/5.5
Amps @ 240/208 Volts	40.8/34.7	40.8/34.7	34.6/29.8	32.5/28.5	32.5/28.5	30.4/25.8
Minimum Circuit Required - Amps*	40	40	30	30	30	30
Armored Electrical Cable	*	*	*	*	*	*

*Consult Local/National Electric Codes

ELECTRIC SMOOTHTOP COOKTOPS

Models	FEC32S6A	PLEC30S9E	GLEC30S9E	GLEC30S8E	FEC30S7EC	FEC30S7E	FEC30S6D	FEC30S6A
Series	Frigidaire	Professional	Gallery	Gallery	Frigidaire	Frigidaire	Frigidaire	Frigidaire
Nominal Product Size	32"	30"	30"	30"	30"	30"	30"	30"
Cooktop Features								
White Ceramic Glass Cooktop	*		*	*		*		*
Bisque Ceramic Glass Cooktop			*	*			*	
Black Ceramic Cooktop	*		*	*		*		*
Black Ceramic with Stainless Steel Trim Cooktop		*			*			
QuadMaxx™ Cooking Surface		*	*					
7" / Bridge/7" (1800W/800W/1800W) Element								
5" to 7" (750W/1800W) Expandable Element		2	2					
6" to 9" (1200W/2500W) Expandable Element		2	2					
9" to 12" (1700W/2700W) Expandable Element								
Warm & Serve™ Zone								
9" (2500W) Element								
8" (2200W) Element								
7" (1800W) Element								
6" (1200W) Element	2				2	2	2	2
Precision Set™ Surface Controls		*	*					
Hot Surface Indicator Light (# Positions)		4	4	4	4	4		
Color / UPC (0-57112-)								
White-on-White (S)	08035-2		08999-7	09215-7		09073-3		08033-8
Bisque-on-Bisque (Q)			09000-9	09216-4			08880-8	
Black-on-Black (B)	08036-9		09001-6	09214-0		09074-0		08034-5
Black with Stainless Steel Trim (C)		08998-0			09075-7			
Dimensions / Specifications								
Armored Electrical Cable	Included	Included	Included	Included	Included	Included	Included	Included
Cable Location	Left Side	Right Rear	Right Rear	Right Rear	Right Rear	Right Rear	Right Rear	Right Rear
Combination with Under-Counter Wall Oven	*	*	*	*	*	*	*	*
Shipping Weight (Approx.)	41 Lbs.	45 Lbs.	44 Lbs.	44 Lbs.	41 Lbs.	40 Lbs.	38 Lbs.	38 Lbs.
Connected Load (kW Rating) 240/208 Volts	6.5/4.9	8.6/7.4	8.6/7.4	8.1/6.1	7.6/5.7	7.6/5.7	6.5/4.9	6.5/4.9
Amps @ 240/208 Volts	21.7/18.8	35.8/30.7	35.8/30.7	33.75/29.32	31.67/27.4	31.67/27.4	21.7/18.8	21.7/18.8
Minimum Circuit Required - Amps*	30	30	30	30	30	30	30	30
Armored Electrical Cable	*	*	*	*	*	*	*	*

*Consult Local/National Electric Codes



ELECTRIC COIL TOP COOKTOPS

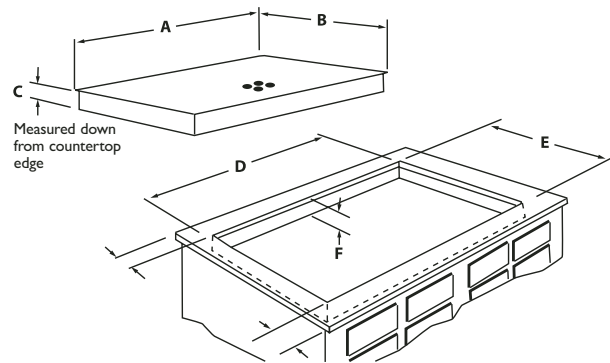
Models	FEC36C4A	FEC36C2A	FEC32C4A	FEC30C4A	FEC26C2A
Series	Frigidaire	Frigidaire	Frigidaire	Frigidaire	Frigidaire
Nominal Product Size	36"	36"	32"	30"	26"
Cooktop Features					
Color-Coordinated Porcelain Cooktop	•	•	•	•	•
Brushed Chrome Cooktop	• (C)		• (C)	• (C)	• (C)
Multi-Wrap Coil 2-8", 2-6" (2100W/1250W)	•		•	•	
Standard Coil 2-8", 2-6" (2100W/1250W)		•			
Standard Coil 1-8", 3-6" (2100W/1250W)					•
Lift-Up Cooktop with Support Rod	•	•		•	•
Chrome Drip Bowls	•	•	•	•	•
Spill Control Cooktop	•	•	•	•	•
Color / UPC (0-57112-)					
White-on-White (S)	07992-9	07994-3	07989-9	07985-1	07982-0
Bisque-on-Bisque (Q)		07995-0	07990-5	07986-8	07983-7
Black-on-Black (B)				07987-5	
Chrome (C)	07993-6		07991-2	07988-2	07984-4
Dimensions / Specifications					
Armored Electrical Cable	Included	Included	Included	Included	Included
Cable Location	Right Rear	Mid-Front	Left Side	Right Rear	Right Rear
Combination with Under-Counter Wall Oven	•	•	•	•	•
Shipping Weight (Approx.)	27 Lbs.	22 Lbs.	24 Lbs.	24 Lbs.	24 Lbs.
Connected Load (kW Rating) 240/208 Volts	6.7/5.0	6.7/5.0	6.7/5.0	6.7/5.0	5.9/4.4
Amps @ 240/208 Volts	22.3/19.2	22.3/19.2	22.3/19.2	22.3/19.2	19.7/16.6
Minimum Circuit Required - Amps*	30	30	30	30	30
Armored Electrical Cable	•	•	•	•	•

*Consult Local/National Electric Codes



ELECTRIC COOKTOP INSTALLATION

The following dimension and cutout information is for planning purposes only. For complete installation details consult manual packed with product, or download manual at Customer Service, online at www.frigidaire.com.



ELECTRIC COOKTOP DIMENSIONS

Models	Exterior Dimensions			Cutout Dimensions				F - Clearance Required U/C	Electrical Connection	Install Over U/C Wall Oven
	A - Width	B - Depth	C - Height	D - Width		E - Depth				
				Minimum	Maximum	Minimum	Maximum			
36" Cooktops										
PLEC36S9E	36-3/4"	21-1/2"	3-1/4"	35-5/8"	36-1/8"	20-1/4"	20-1/2"	6"	Left Front	•
GLEC36S9E	36-3/4"	21-1/2"	3-1/4"	35-5/8"	36-1/8"	20-1/4"	20-1/2"	6"	Left Front	•
GLEC36S8E	36-3/4"	21-3/8"	3-1/4"	35-5/8"	36-1/8"	20-1/4"	20-1/2"	5"	Middle	•
FEC36S7E	36-3/4"	21-3/8"	3-1/4"	35-5/8"	36-1/8"	20-1/4"	20-1/2"	5"	Middle	•
FEC36S6E	36-3/4"	21-3/8"	3-1/4"	35-5/8"	36-1/8"	20-1/4"	20-1/2"	5"	Middle	•
FEC36C4A	36"	21-1/2"	3"	32-3/4"	34-1/4"	19"	20"	5"	Right Rear	•
FEC36C2A	36"	18"	3-7/8"	34-1/4"	34-3/8"	16-5/8"	16-3/4"	5-7/8"	Mid-Front	•
32" Cooktops										
FEC32S6A	32-1/4"	20-1/4"	3-3/4"	31"	31-1/4"	19"	19-1/4"	5-3/4"	Left Side	•
FEC32C4A	32-1/4"	20-1/4"	3-3/4"	31"	31-1/4"	19"	19-1/4"	5-3/4"	Left Side	•
30" Cooktops										
PLEC30S9E	30-3/4"	21-1/2"	4-5/8"	29-5/8"	29-3/4"	20-1/4"	20-1/2"	6"	Right Rear	•
GLEC30S9E	30-3/4"	21-1/2"	4-5/8"	29-5/8"	29-3/4"	20-1/4"	20-1/2"	6"	Right Rear	•
GLEC30S8E	30-3/4"	21-3/8"	3-1/4"	29-5/8"	29-7/8"	20-1/4"	20-1/2"	5"	Right Rear	•
FEC30S7E	30-3/4"	21-3/8"	3-1/4"	29-5/8"	29-7/8"	20-1/4"	20-1/2"	5"	Right Rear	•
FEC30S6D	30-3/4"	21-3/8"	3"	29-5/8"	29-7/8"	20-1/4"	20-1/2"	5"	Right Rear	•
FEC30S6A	30-3/4"	21-3/8"	3"	29-5/8"	29-7/8"	20-1/4"	20-1/2"	5"	Right Rear	•
FEC30C4A	30"	21-1/2"	3"	26-3/4"	28-1/4"	19-1/8"	20"	5"	Right Rear	•
26" Cooktops										
FEC26C2A	25-3/4"	21-9/16"	3-1/2"	25"	25"	20-1/2"	20-1/2"	5-1/2"	Right Rear	•

Specifications subject to change.

Frigidaire® Gas & Electric Cooktops

FULL ONE-YEAR WARRANTY

Every Electrolux Home Products gas and electric cooking product is guaranteed to be free of materials defects or component malfunctions. Electrolux Home Products will repair, without charge, any problem that occurs during the first year after original date of purchase.*

LIMITED 2ND - 5TH YEAR WARRANTY

Smoothtops and Radiant Heating Elements

Electrolux Home Products will provide a replacement for any defective surface heating element or glass smoothtop that cracks due to thermal breakage (not customer abuse), for the second through fifth years from original date of purchase.* Diagnostic, transportation and labor costs which are required because of service are the responsibility of the consumer.

**Some restrictions may apply for Alaska.*

This warranty is provided by Electrolux Home Products North America, a division of Electrolux Home Products Inc. in the U.S.A., and in Canada by Electrolux Canada Corp. For complete warranty details, please refer to your Owner's Manual.

High standards of quality at Electrolux Home Products mean we are constantly working to improve our products. We reserve the right to change specifications or discontinue models without notice.

PARTS AND SERVICE


Wherever you live or move in the U.S.A., our national network of authorized independent service companies provide prompt, professional repair service. To maintain warranties, always ask for Electrolux Home Products Genuine Renewal Parts.



Frigidaire®

USA
250 Bobby Jones Expressway, Martinez, GA 30907
1-800-FRIGIDAIRE • <http://www.frigidaire.com>

CANADA
5855 Terry Fox Way, Mississauga, ON L5V 3E4
1-800-668-4606

 *The Electrolux Group. The world's No. 1 choice.*

ELECTROLUX

THE WORLD'S NUMBER ONE CHOICE

Every Frigidaire® appliance is backed by the global strength of the Electrolux Group, the world's largest producer of kitchen and cleaning appliances.