

SOLA® 6853 LIFT DESK

bdiusa.com
customerservice@bdiusa.com



OWNER'S MANUAL

Product Registration

Registering your new BDI product allows us to send you important product updates, service information and helpful hints related to your BDI products. Register today, and you will be entered to win free a BINK table from BDI: www.bdiusa.com/register

Placement and Maintenance

Sola® Lift Desk is designed for indoor use on level floors. Clean steel parts and wood panel with a moist cloth.




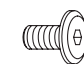

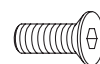
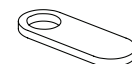


Your Sola® Office furniture is engineered for easy assembly. Carefully follow this procedure to prevent any damage. Do not use power tools for assembly of this product.

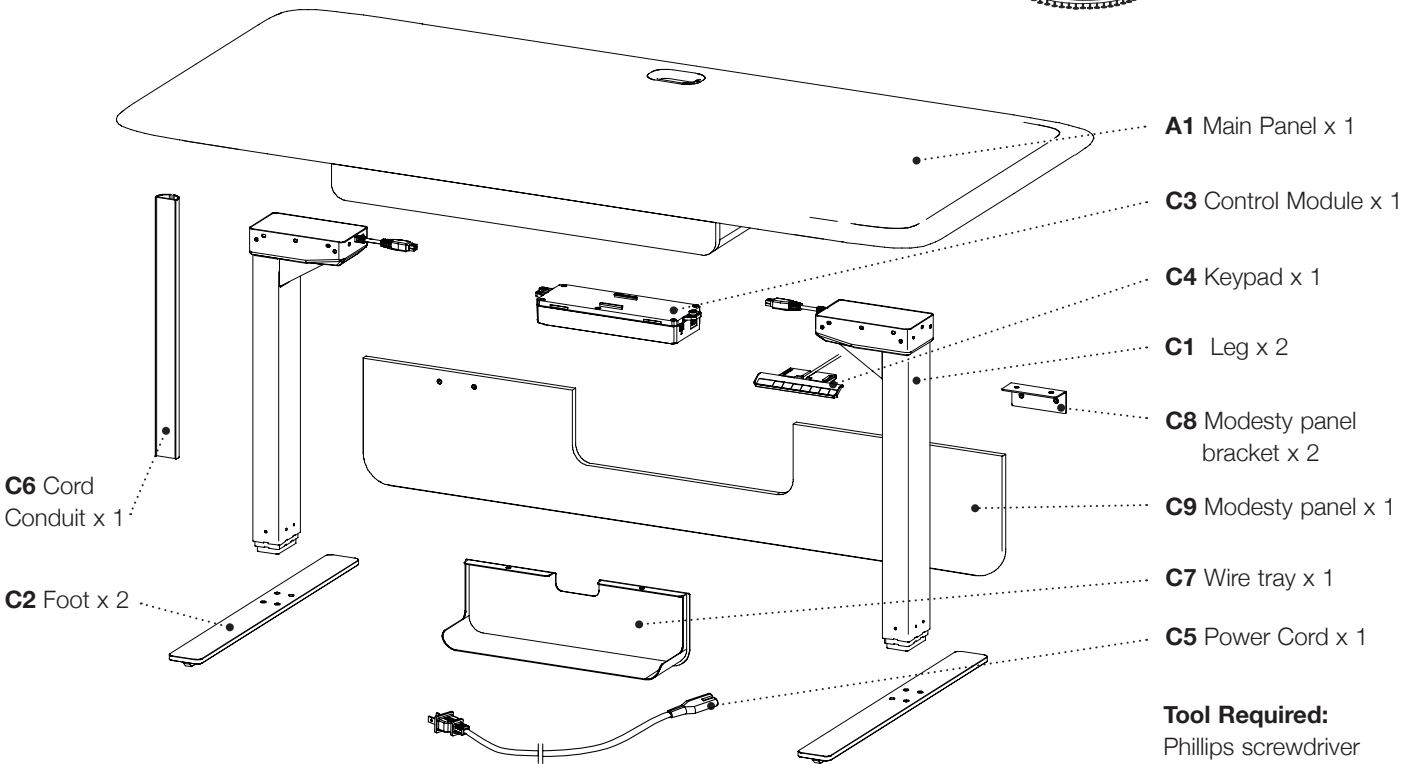
Step 1

Unpack and identify the parts listed below. The assembly workspace should be a non-marring surface such as carpet. For missing hardware pieces, please contact BDI Customer Service at customerservice@bdiusa.com.

For all other concerns, please contact your BDI retailer.

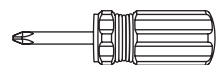
Tool Included:

-  **T1** 4mm Hex Wrench
-  **H1** #10 Wood Screw x 4
-  **H2** #6 Wood Screw x 6
-  **H3** M6 x 11mm Screw x 14
-  **H4** M6 x 9mm Screw x 4
-  **H5** M6 x 16mm Screw x 8
-  **H6** Wire clip x 6
-  **H7** Leveler x 4
-  **H9** Dual Lock Dot x 8



Tool Required:

Phillips screwdriver



Designed by Matthew Weatherly.

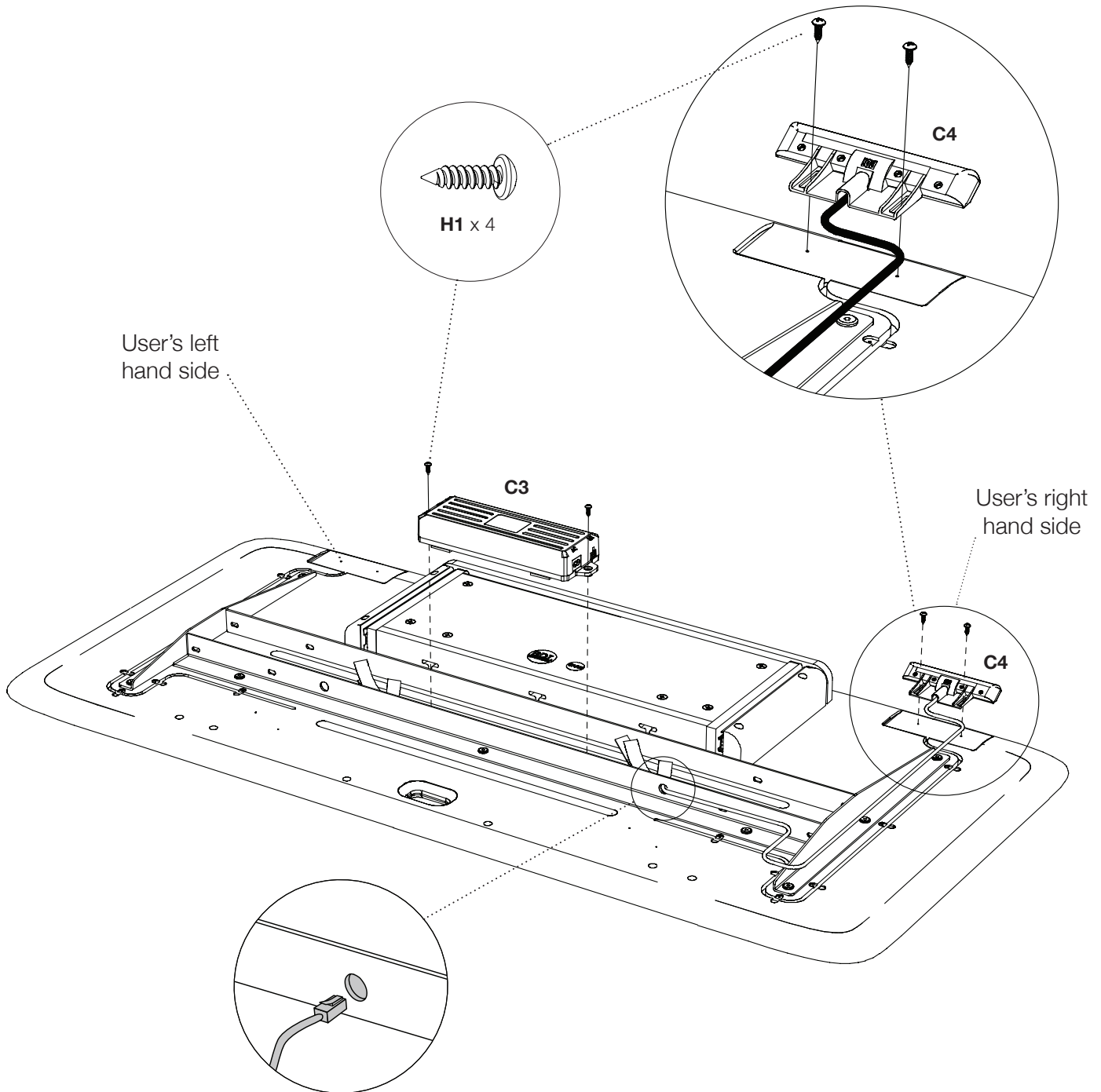
These distinctive product configurations are protected by US and international patents, trade dress, and/or copyright laws. Sola & BDI are trademarks of Becker Designed, Inc. All rights reserved. ©2018, BDI

Patent: www.bdiusa.com/ip

Made in China. 06.14.2018 V1

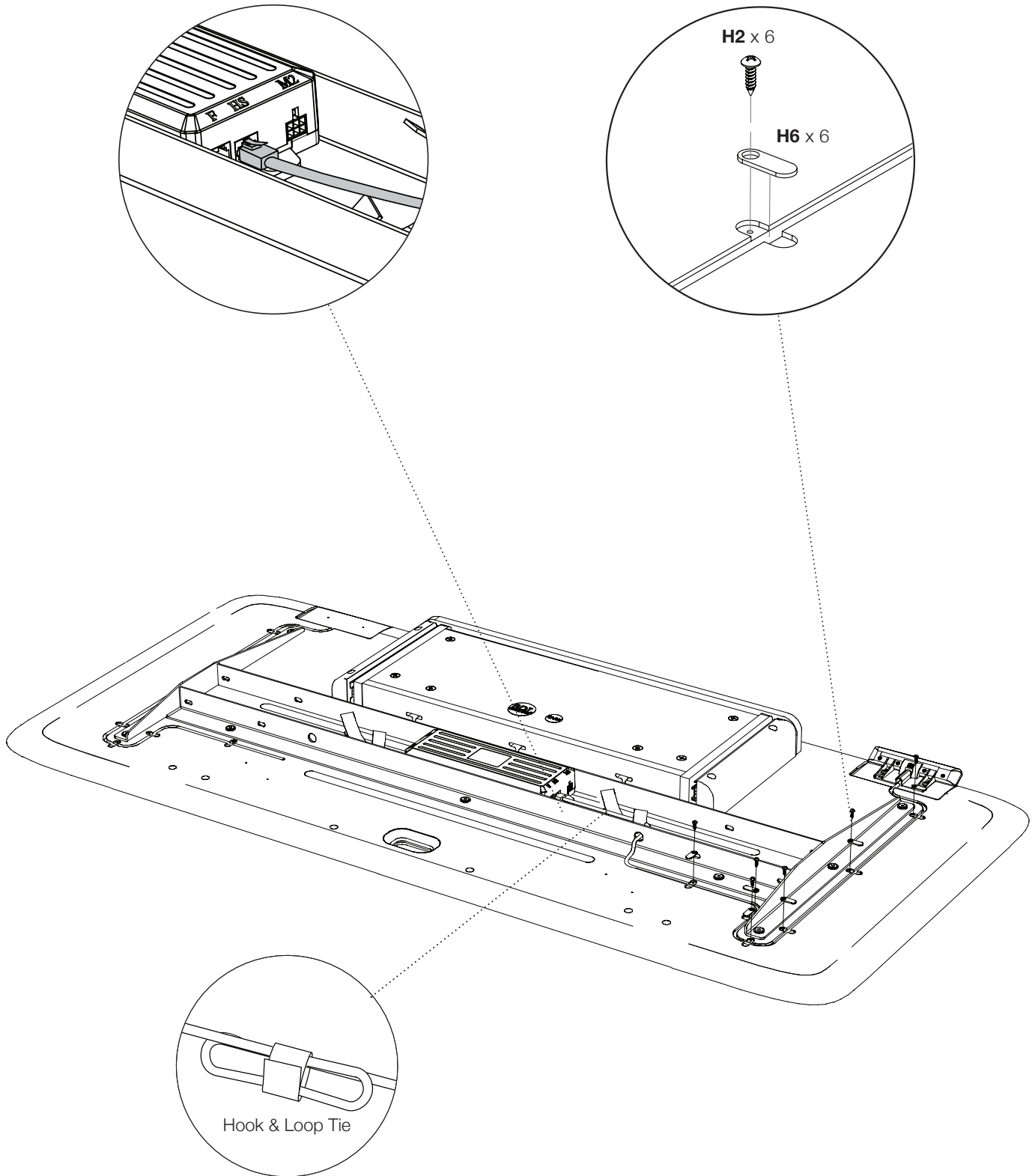
Step 2 - Install Control Module and Keypad

Lay **top panel** upside down on a soft surface (like carpet). Attach **keypad C4** on the desired side (left or right) with **2 wood screws H1** and a **Phillip's screw driver**. Orient the **control module C3** so that the keypad socket is facing the keypad side (labeled HS) and secure between the 2 steel rails with **2 wood screws H1** as shown. Route the keypad cord into the groove in the panel and through the hole in the metal frame.

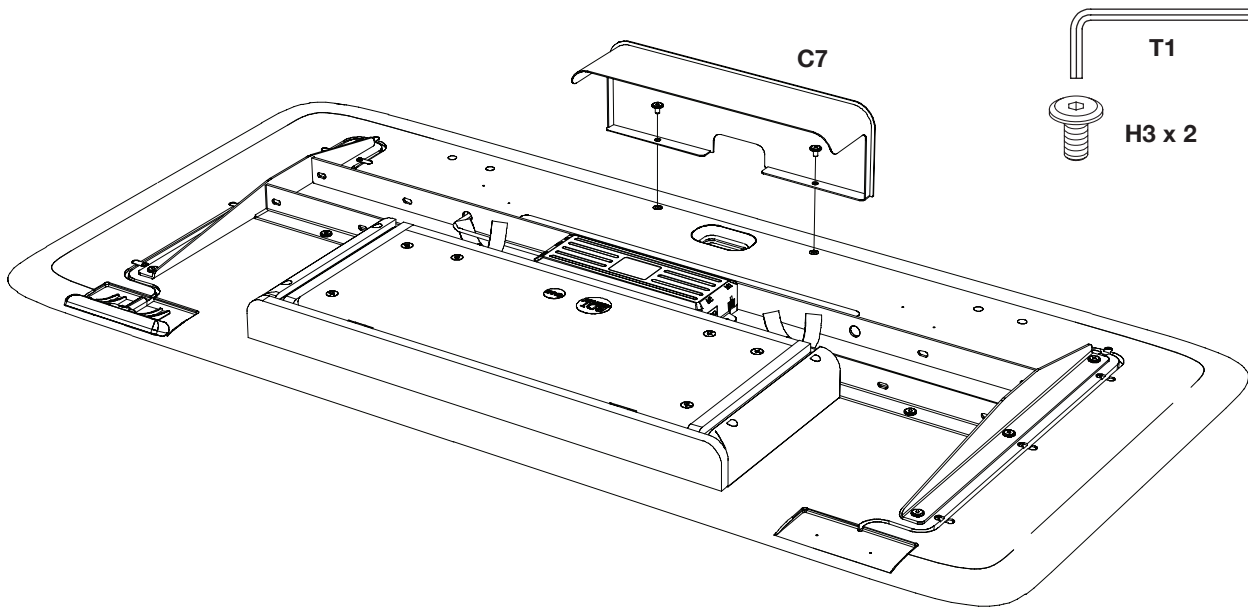


Step 3 - Connect **keypad cord** into the socket labeled **HS** on the **control modual C3** and bundle the slack with the hook and loop tie.

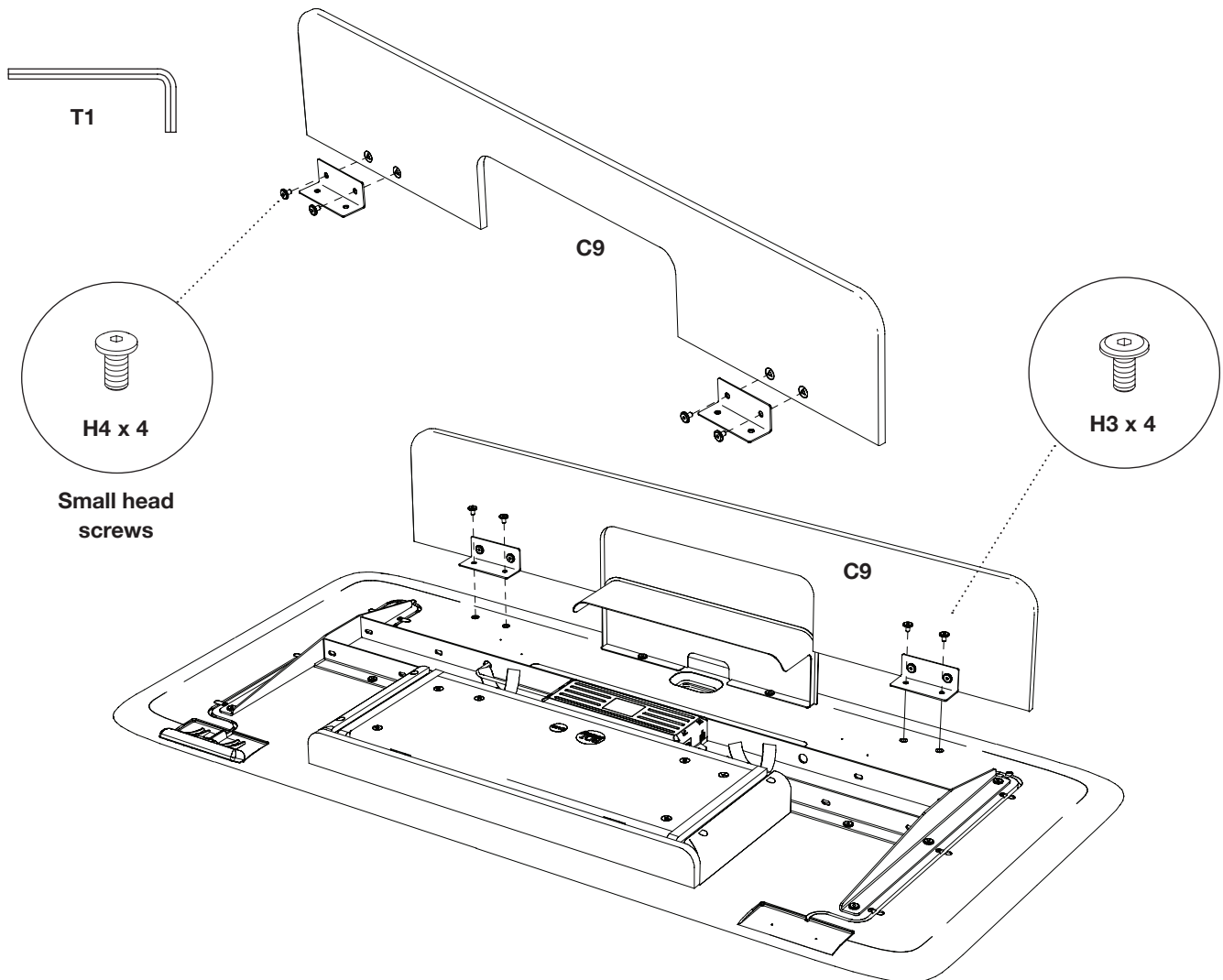
Step 4 - Secure the **keypad cord** into the groove using **6 cord clips H6** and **6 wood screws H2** and a **Phillip's screw driver**.



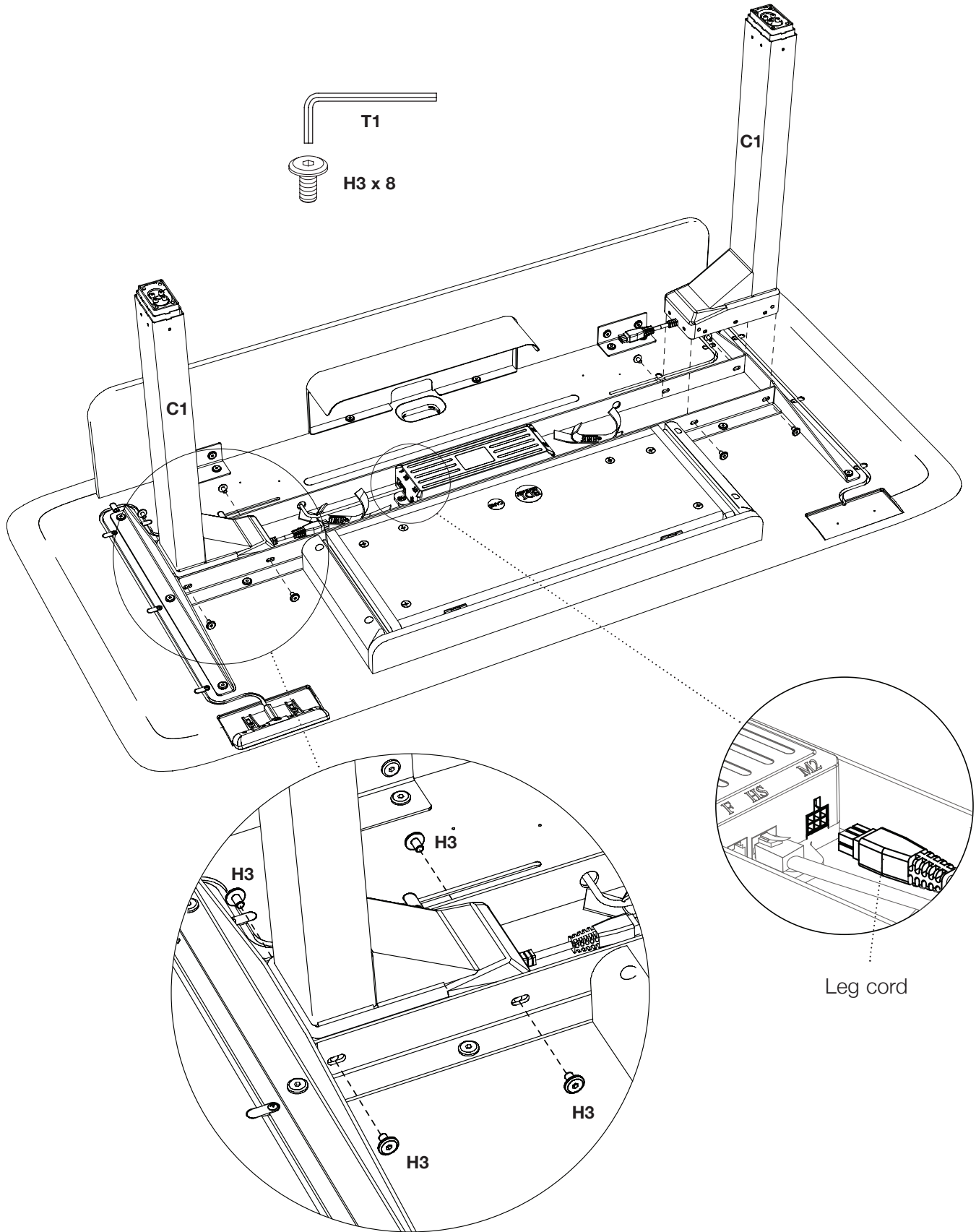
Step 5 - Attach the wire tray C7 as shown with 2 screws H3 and hex wrench T1.



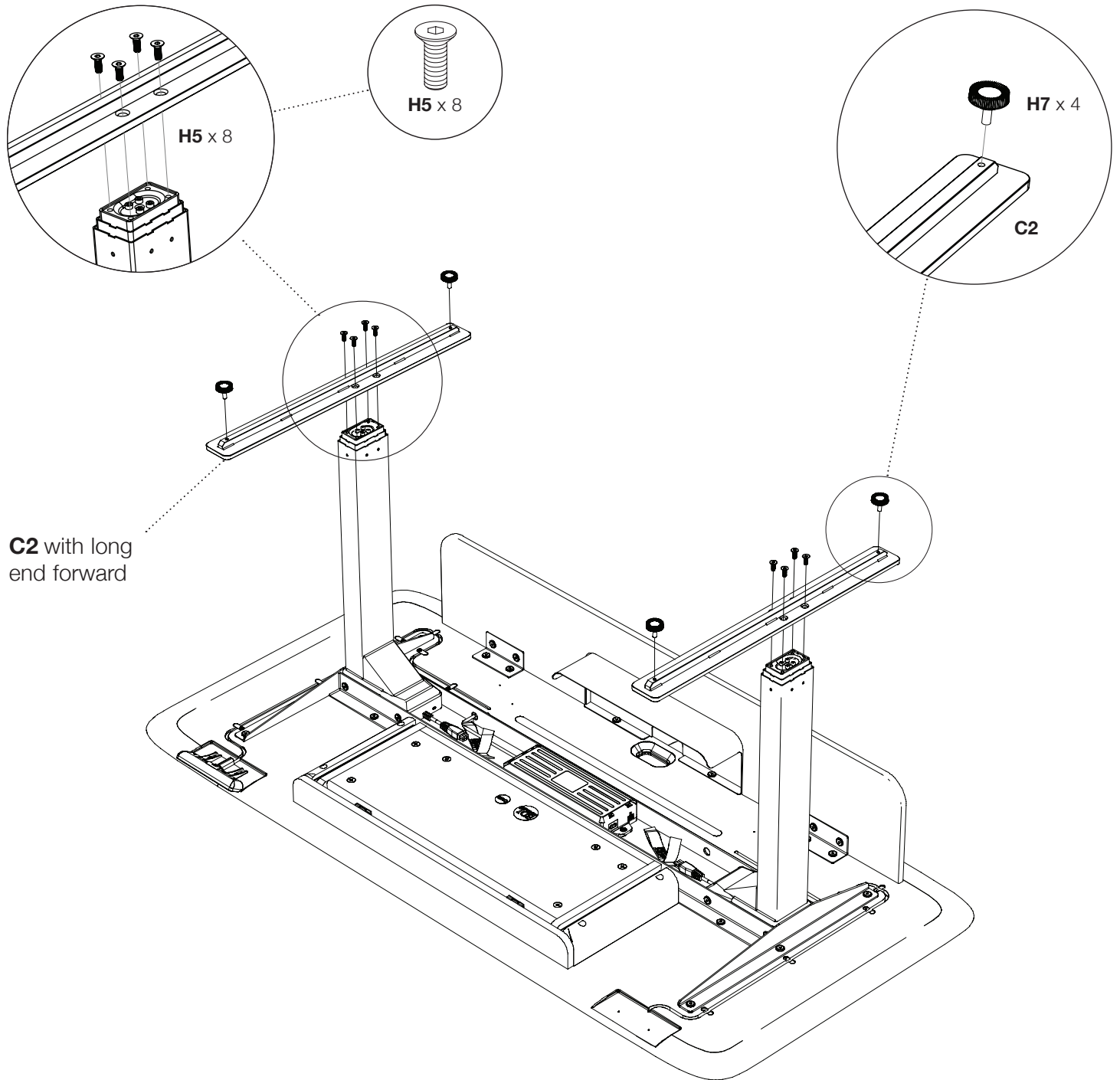
Step 6 - Attach modesty panel brackets C8 to the modesty panel C9 as shown with 4 screws H4 and hex wrench T1. Attach the modesty panel C9 as shown with 4 screws H3 and hex wrench T1.



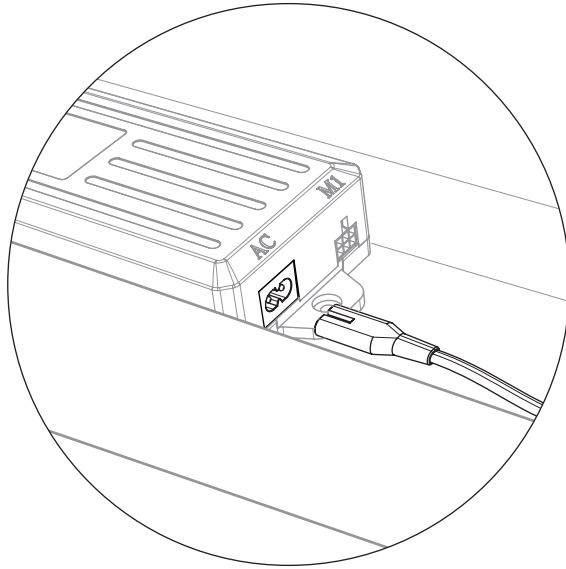
Step 7 - Attach **legs C1** to the inside corners of the metal frame as shown with **8 screws H3** and **hex wrench T1**. Plug the leg cords into the **control module** (either **M1** or **M2**).



Step 8 - With the long end facing front, attach each **foot C2** with **4 screws H5** and **hex wrench T1**. Thread in the levelers **H7** to the bottom of each foot.

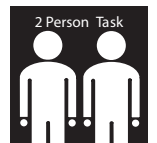
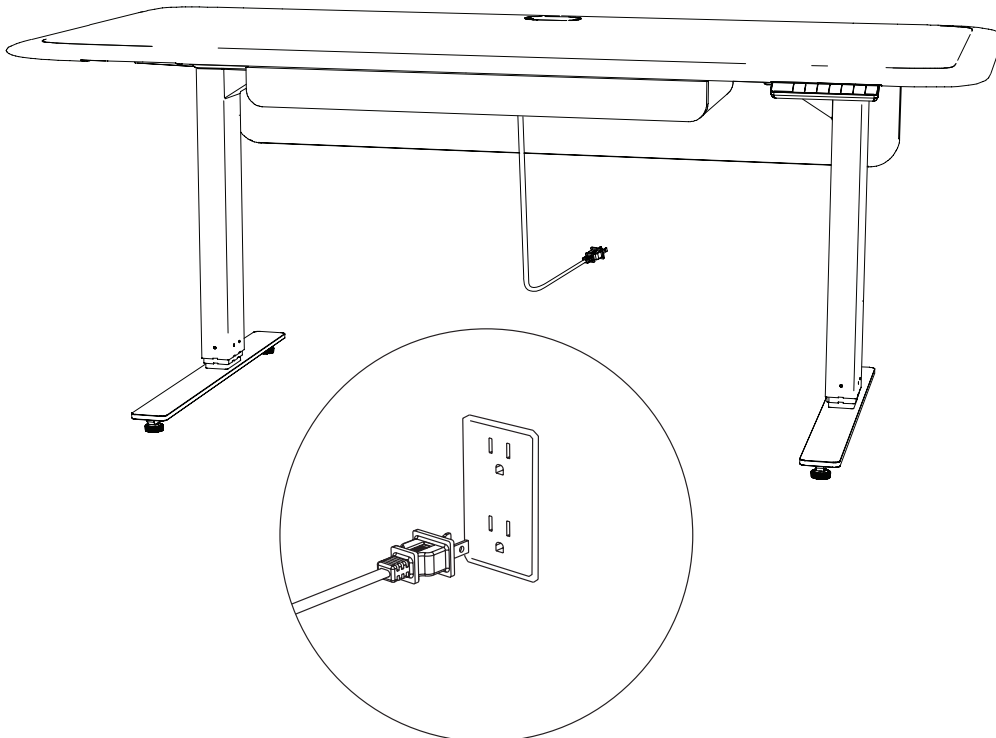


Step 10 - Plug the **power cord C5** into the power port on the **control module C3** (labeled AC).



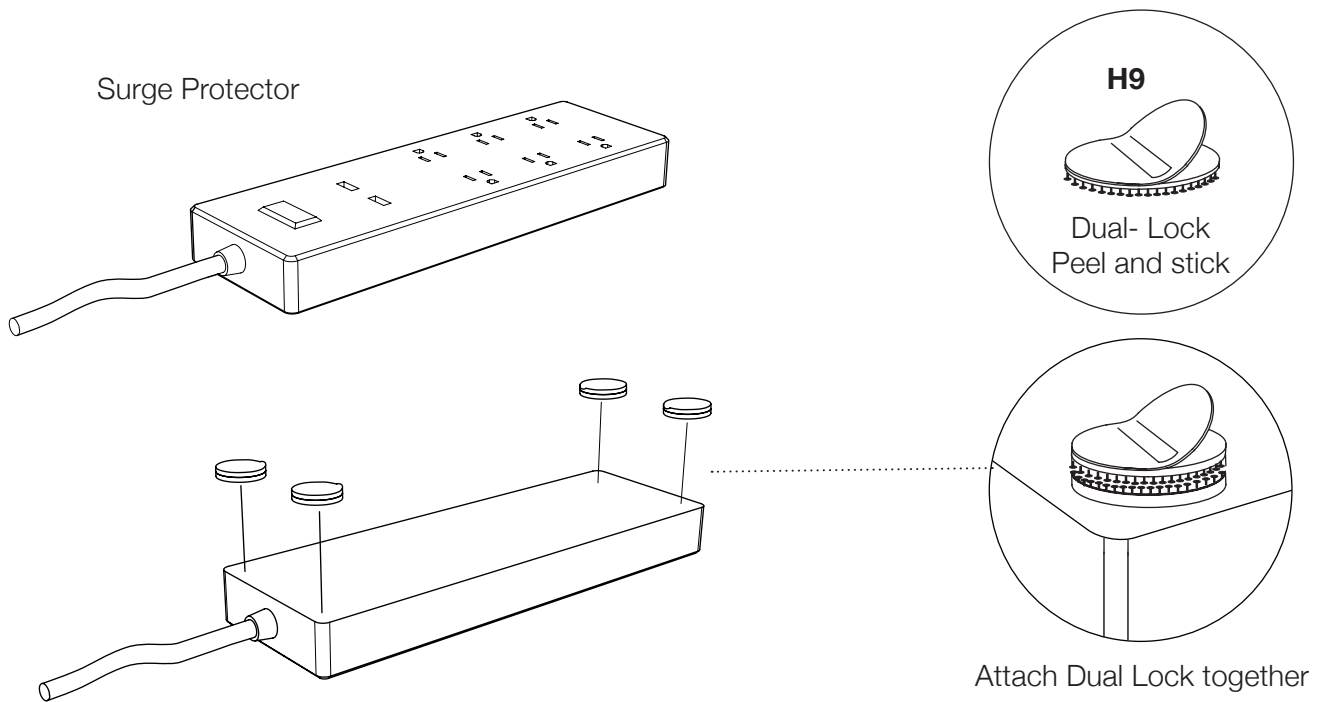
Step 10 - Turn the desk upright and plug it in to adjust the height

With the help of another person, carefully rotate the desk on to its feet. Plug the other end of the Power Cord into the nearest wall socket. Refer to the **User Manual** on **Page 11** and follow the **Reset Procedure**. You may now adjust the height of your desk to make the remaining steps easier.



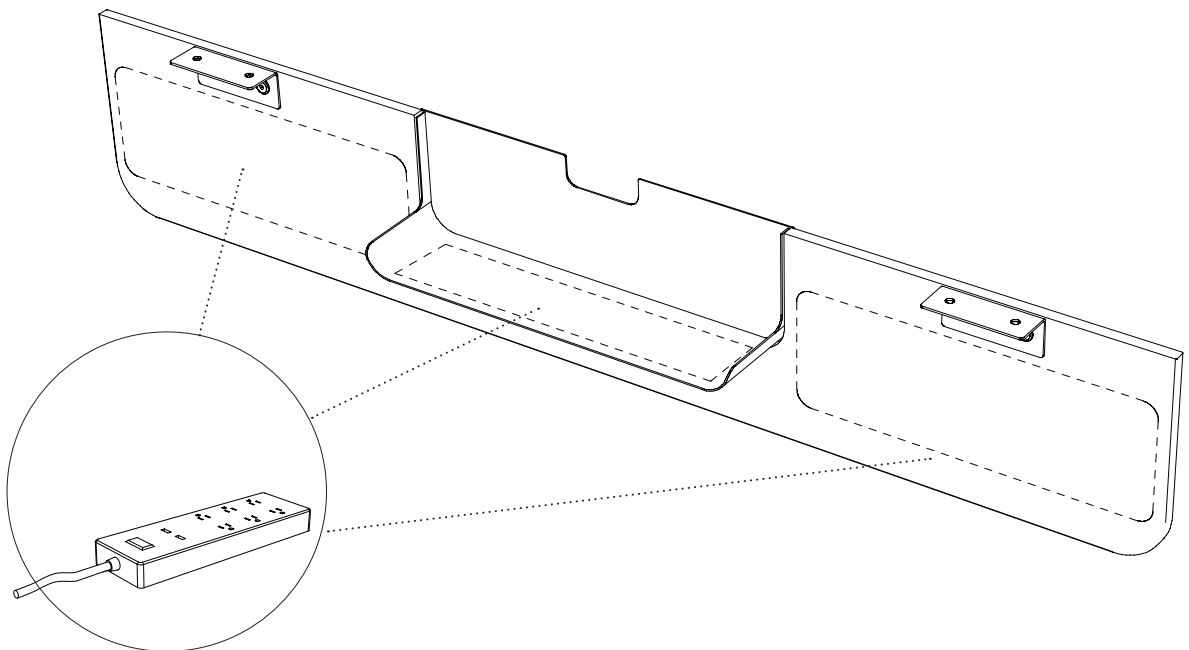
Attach dual lock fastener to the bottom of the surge protector (surge protector not included)

Secure 4 pairs of Dual-Lock Dots **H9** to the bottom corners of the surge protector.



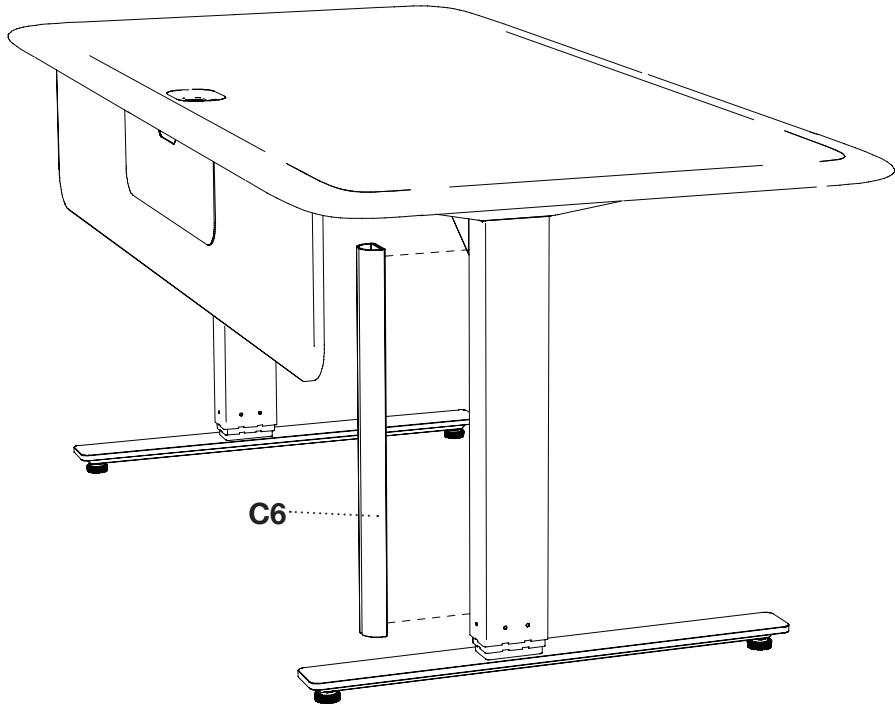
Attach the surge protector (not included)

For easy installation, raise the height of the desk. Determine where you prefer the surge protector to be mounted. We suggest one of the 3 locations shown below. Make sure the area is dust free. Remove the adhesive film and attach the surge protector with the power cord facing the nearest leg and towards a power outlet. Press firmly to allow the pressure sensitive adhesive to set.



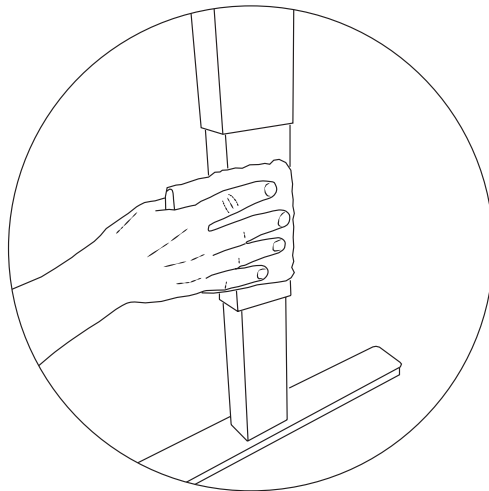
Attach the Cord Conduit (optional)

Remove adhesive film and attach the Cord Conduit **C6** to the back of the top section of the leg nearest the wall outlet. Insert power cord(s) into the Cord Conduit.



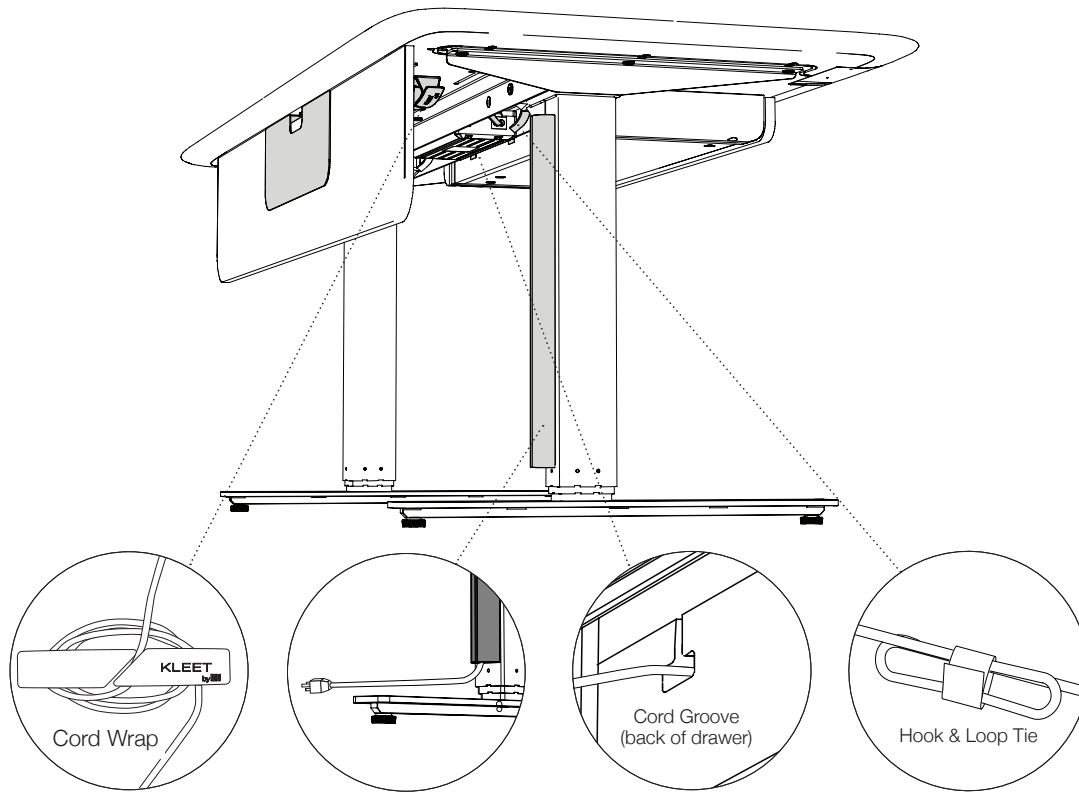
Remove excess lubricant from legs

When new, the legs may have excess lubricant. Extend the legs to their highest position and wipe off excess lubricant with a clean, dry cloth or rag.



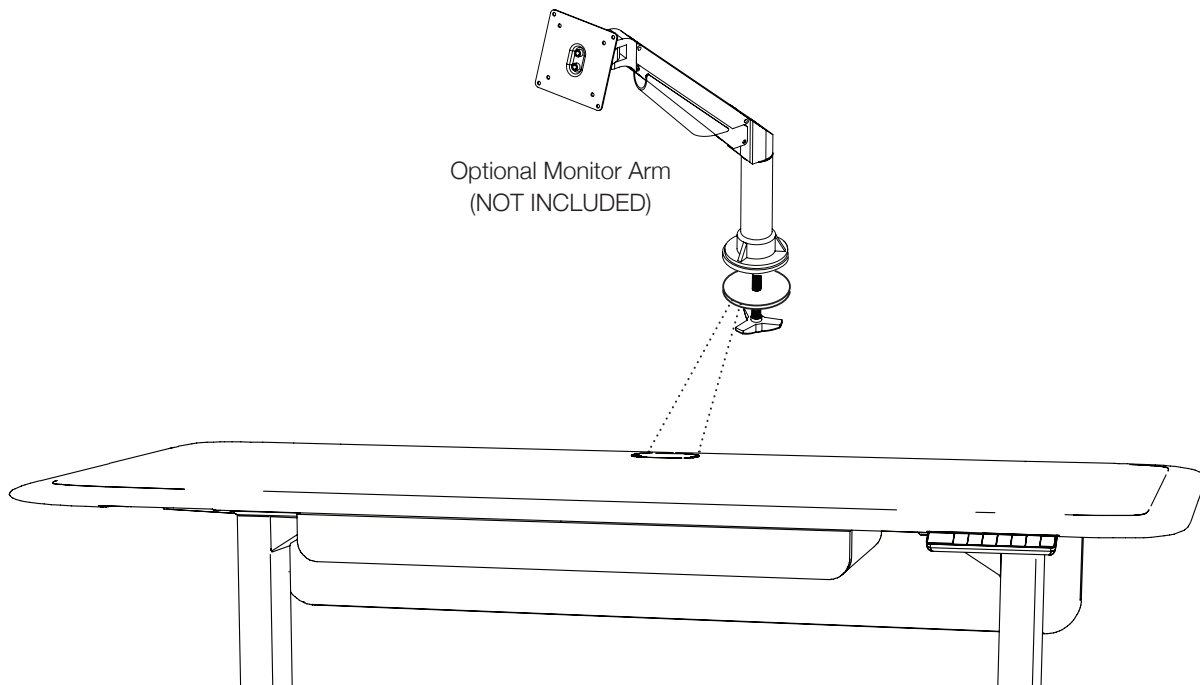
Step 11 - Organize your cords

Use the cord wraps, hook and loop ties, cord conduit, wire tray and the groove on the back of the drawer to organize your cords. **Caution!** -make sure you leave enough slack to allow your desk to lift desk to reach lowest and highest positions. Refer to the user manual (next page).



Attach a monitor arm (not included)

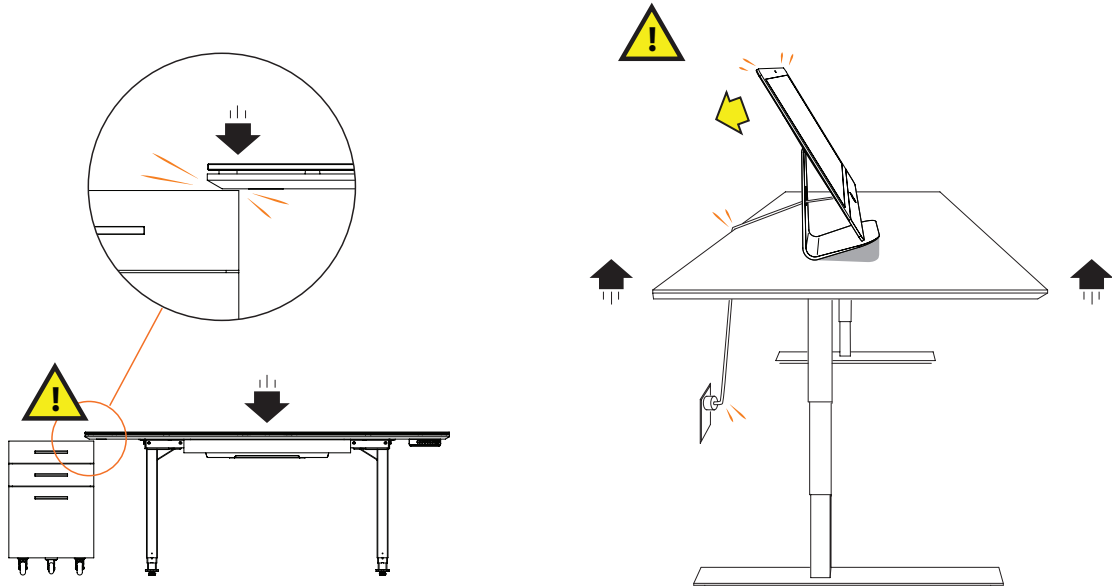
The Sola Lift Desk can accommodate most third party monitor arms which are designed to attach through a grommet hole. **Do not** attempt to attach a monitor arm to the edge of the desk!



User Manual

Caution!


- Make sure there are no obstacles under or over the path of the desk.
- Make sure the desk top is not touching any walls.
- Make sure all the cords are long enough to reach lowest and highest desk positions.

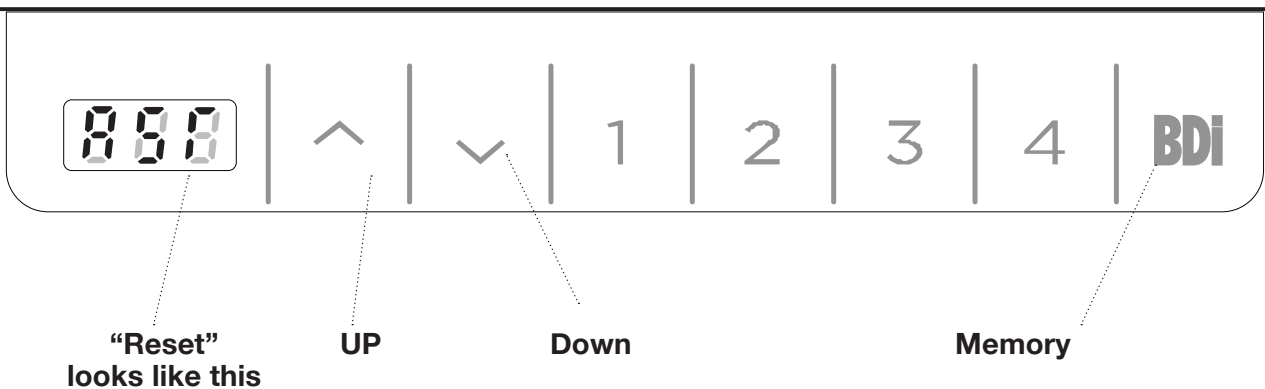


Important:

- You must reset the desk prior to use.

Reset Procedure:

1. Press and hold the DOWN button on the keypad until the desk reaches its lowest height.
2. Release the DOWN button.
3. Press and hold the DOWN button again until the LED sidplay reads "RST". 
4. Release the DOWN button.
5. Press and hold the DOWN button again until the desk lowers a little bit more, slightly rises and stops.
6. Release the DOWN button. Your desk is now ready for use.



Height Adjustment

The desk base can be adjusted by pressing and holding either the UP or DOWN button until the desired height is reached.

To program up to four presets, use the up/down buttons to find a desired height, then press “**BDI**” followed by a number 1-4. To Change the **Movement Program** (explained below) follow the **Reset Procedure** to **step 4**. The display should be flashing “RST”. Press and hold the “**1**” button (about 5 seconds) until the display flashes “10.1” or “10.2”. You can press and hold the “**1**” button again to switch to the other setting. Once the chosen setting is selected finish the Reset Procedure steps 5 and 6.

One Touch (Default) - 10.1:

Once a preset button is pushed, the desk will move to the programmed height. To stop movement, press any number on the keypad.

Constant Touch - 10.2:

A preset button must remain pressed for the desk to move to the programmed height. To stop movement, release the button.

Trouble Shooting

If your desk is not functioning properly it may need to be reset. Follow the RESET procedure above.

If your LED readout displays an error message Er1 confirm that all wired connections are secure. Then perform the reset procedure above.

Keypad Lock

To lock the keypad:

Press and hold the “**BDI**” button for about 8 seconds until the LED display reads “LOC”. The keypad is now locked and cannot be used to move the desk.

To unlock the keypad:

Press and hold the “**BDI**” button for about 8 seconds until the LED display switches from “LOC” to the height display. The keypad is now unlocked and can be used as normal.

Height Display: Inches or Centimeters

To change unit of height measurements (inches or centimeters) follow the **Reset Procedure** to step **4**. The display should be flashing “RST”. Press and hold the “**2**” button (about 5 seconds) until the display flashes “10.3” or “10.4”. You can press and hold the “**2**” button again to switch to the other setting. Once the chosen setting is selected, finish the Reset Procedure steps 5 and 6.

Centimeters - 10.3

Inches (Default) - 10.4

Setting the Upper and Lower Limits

The base is designed to go to its minimum and maximum heights, allowing for the widest possible range. If you prefer to change the settings to a more narrow range, follow these steps:

To set the Lower-limit position:

Use the UP/DOWN buttons to move the base to the desired minimum height position. Press and release the “**BDI**” button and the LED display should read “**S**”. Next, press and release the DOWN button. Now, press and hold the “**BDI**” button (for about 2 seconds) until the LED display changes to “**000**” and then automatically returns to show the selected height. The new lower limit is now set.

To set the Upper-limit position:

Use the UP/DOWN buttons to move the base to the desired maximum height position. Press and release the “**BDI**” button and the LED display should read “**S**”. Next, press and release the UP button. Now, press and hold the “**BDI**” button (for about 2 seconds) until the LED display changes to **999** and then automatically returns to show the selected height. The new upper limit is now set.

Note:

- You can set just the upper limit or just the lower limit or both.
- After the upper and lower limits are set, the previous memory positions (1,2,3,4) may be outside the new range of movement. If so, simply reset the memory positions.
- If you attempt to revise a previously set upper or lower limit and it is outside of the existing range, you will need to remove the previously set upper/lower limits first.

A Reset Procedure requires the desk to be fully lowered (beyond any lower limit set). Please ensure that you have the proper clearance below the desk!

To remove the upper/lower limit positions:

Press and release the “**BDI**” button and the LED display should read “**S**”. Within 5 seconds, press and hold the “**BDI**” button until the display flashes “555”. The upper and lower limits are now removed.

Technical Specifications

| | |
|------------------------|--|
| Height Range | 24.75”–49.75” (63–126 cm) |
| Travel Speed | 1.5" per second |
| Weight Capacity | 150 lbs (68 kg) |
| Duty Cycle | 10%, Max 2 minutes with 18 minutes off |
| Memory | 4 position presets |
| Monitor Arm Compatible | Yes |

Trouble Shooting

If your desk is not functioning properly it may need to be reset. Follow the RESET procedure above. If your LED readout displays an error message Er1 confirm that all wired connections are secure. Then perform the reset procedure above.

