

EC24/S

FEATURES

- Make all your favorite coffee drinks
- Uses whole-bean and pre-ground coffee
- Coffee made to size, from 1 oz. to 12 oz.
- Built-in burr grinder with 13 grind settings
- No plumbing needed
- Rigorously tested in our U.S. manufacturing facilities for decades of use
- Exceptional 24/7 support from our Customer Care team in Madison
- Auto-descale reminders
- Five strength settings
- Hot water on demand
- Press Double Coffee button for two identical cups
- Removable milk carafe for freshness

ACCESSORIES

- Care Kit
- Descaling Solution

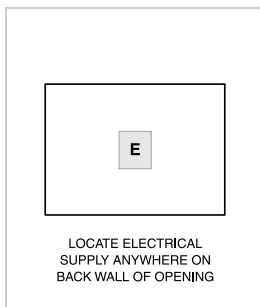
Accessories available through an authorized dealer.
For local dealer information, visit subzero-wolf.com/locator.



PRODUCT SPECIFICATIONS

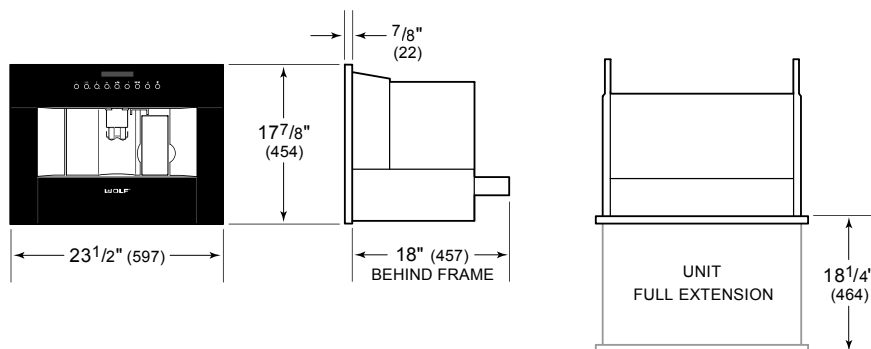
Model	EC24/S
Dimensions	23 1/2"W x 17 7/8"H x 18"D
Weight	80 lbs
Electrical Supply	120 VAC, 60 Hz
Electrical Service	15 amp dedicated circuit
Power Cord Length	6 Feet
Receptacle	3-prong grounding-type

ELECTRICAL



NOTE: Dimensions in parenthesis are in millimeters unless otherwise specified

DIMENSIONS



STANDARD INSTALLATION

