

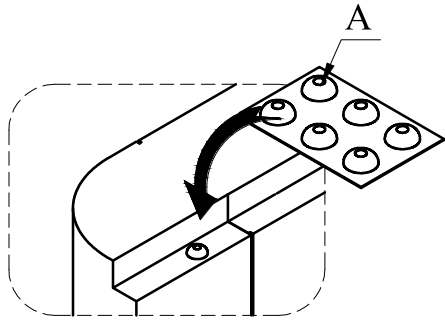


# ASSEMBLY INSTRUCTION

Item: 6050-90016 Three-Drawer Nightstand

Thank you for purchasing this quality product. Be sure to unpack carefully looking for small parts which may have come loose during shipment.

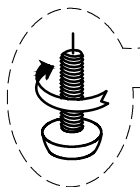
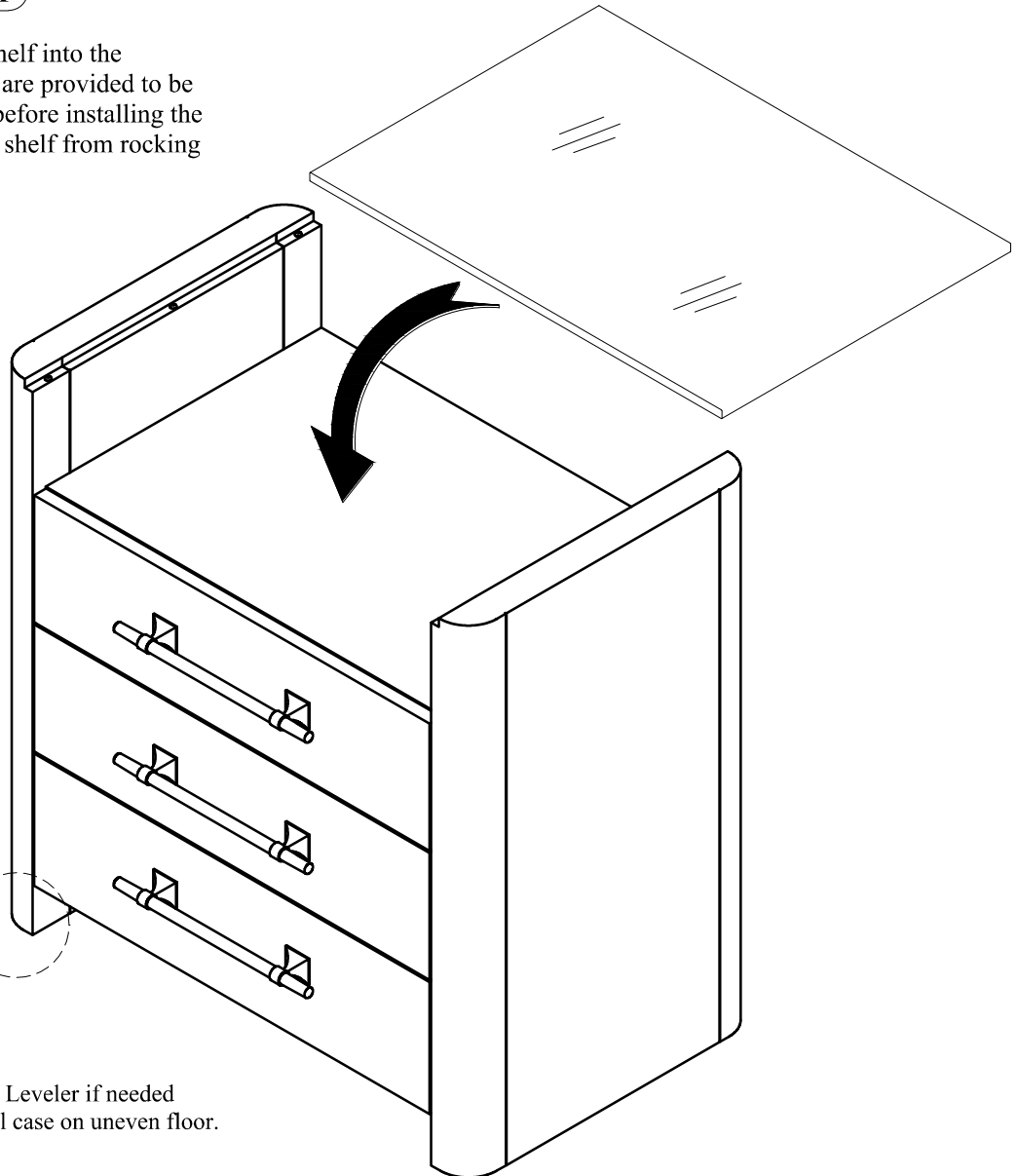
Read all instruction and study the drawing carefully before starting the assembly process.



**STEP 1**

HARDWARE PACK			
NO	DRAWING	DESCRIPTION	Q'ty
A		Glass Pad	6pcs

**STEP 1.** Install the glass shelf into the nightstand. Glass pads (A) are provided to be attached to the nightstand before installing the glass shelf to prevent glass shelf from rocking



Adjust Leveler if needed to level case on uneven floor.