

FEATURES



SGS365CB

36" SGS BLACK PORCELAIN STEEL GAS COOKTOP

APPEARANCE

Black or White Porcelain	✓
Porcelain Enamel Grate	✓
Cast-Iron Continuous	✓

PERFORMANCE

Number of Gas Sealed Burners	5
Cookware Can Span 2 Burners	✓
Ignition: Automatic	✓
Reignition	✓

CONVENIENCE

Access. Griddle (SGRIDDLE)*	✓
Access. Wok Ring (SWOKRING)*	✓
L.P. Convertible*	Yes - NLPKIT6
Easy Cleaning Surface	✓

GENERAL INFORMATION

Approximate Shipping Weight (LBS.)	49
------------------------------------	----

Accessories

Model #	Name	Shipping Weight
NLPKIT6	L.P. Conversion Kit	1 lbs
SWOKRING	Wok Ring	3 lbs
SGRIDDLE	Griddle	9 lbs

Notes: 1) All height, width and depth dimensions are shown in inches. 2) Solid surface countertops require special cutout size.

*Please refer to installation instructions prior to making cutout. Installation instructions are available at www.thermador.com.

Cooktops are CGA and AGA approved.

SPECIFICATIONS



SGS365CB

36" SGS BLACK PORCELAIN STEEL GAS COOKTOP

GENERAL INFORMATION

Approximate Shipping Weight (LBS.)	49
------------------------------------	----

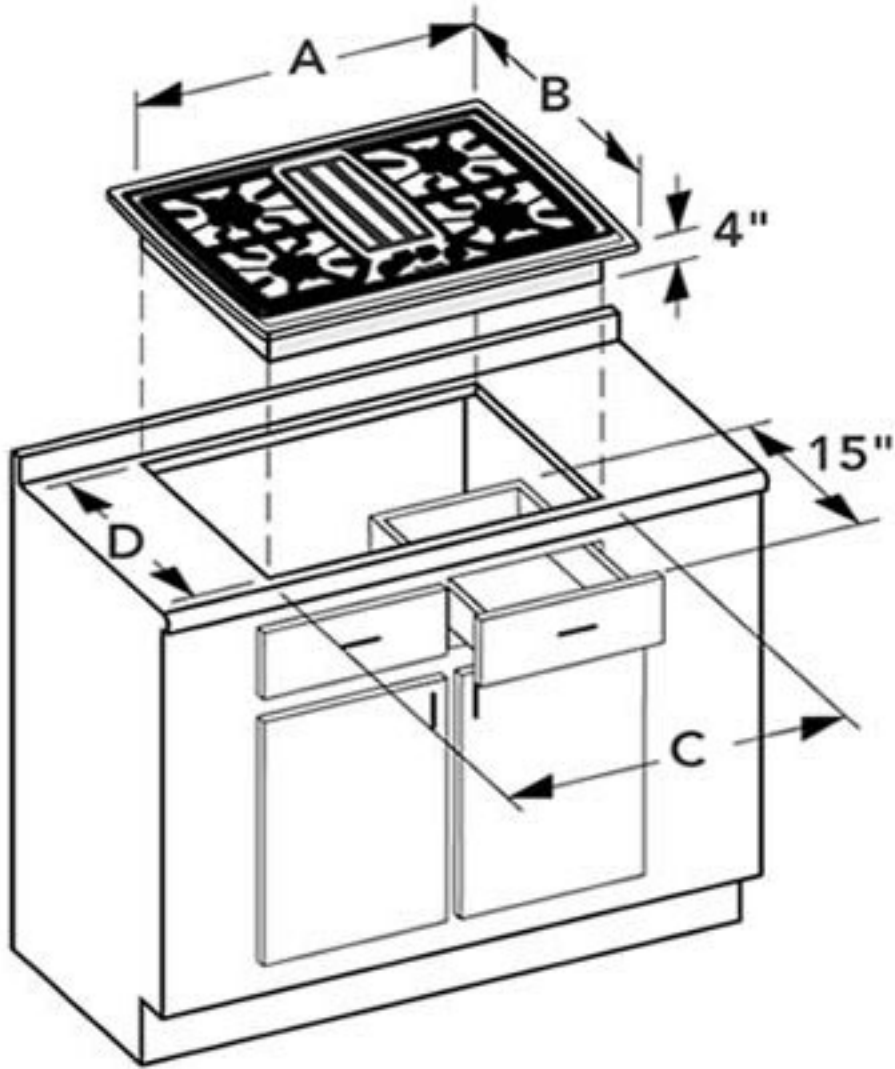
TECHNICAL INFORMATION

60 HZ, Single Phase 120 VAC 3 Wire, 15 AMPS	✓
Front Left Burner - BTU/HR	950 - 8000
Front Right Burner - BTU/HR	1650 - 12000
Rear Left Burner - BTU/HR	1650 - 12000
Rear Right Burner - BTU/HR	950 - 8000
Center Left Burner - BTU/HR	2100 - 15000

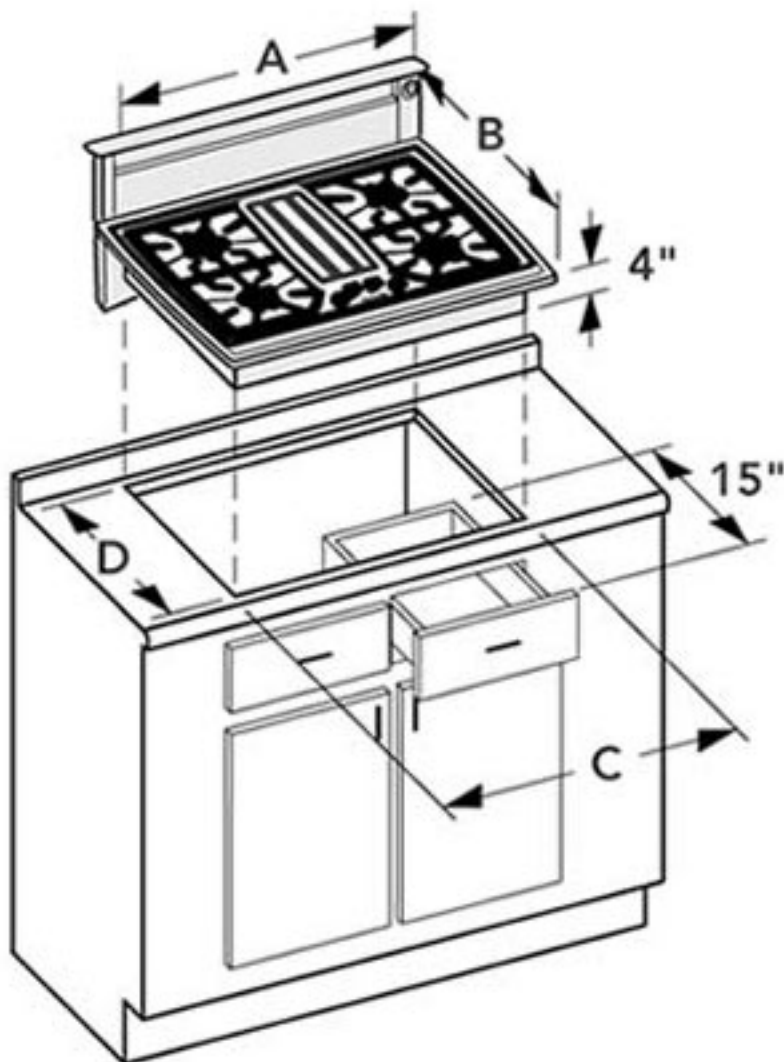
DIMENSIONS (INCHES)

Overall Dimensions - A**	37
Overall Dimensions - B**	21 1/2
Cutout Dimensions* C	34-15/16" to 35-3/8"
Cutout Dimensions* D	19-1/8" to 19-7/8"
Cutout Width (CSV Downdraft)	34-15/16"
Cutout Width (UCV Downdraft)	34-15/16"
Cutout Depth (CSV Downdraft)	22-1/8"
Cutout Depth (UCV Downdraft)	22-1/4"
Overall Width (CSV Downdraft)	37"
Overall Width (UCV Downdraft)	37"
Overall Depth (CVS Downdraft)	23-5/8"
Overall Depth (UCV Downdraft)	23-3/4"
Set Back Min. (CVS Downdraft)	1-1/2"
Set Back Min. (UCV Downdraft)	1-1/2"
Back Splash Max. (CVS Downdraft)	1-1/4"
Back Splash Max. (UCV Downdraft)	3/4"
Notch Depth (CVS Downdraft)	3"
Notch Depth (UCV Downdraft)	2-1/4"

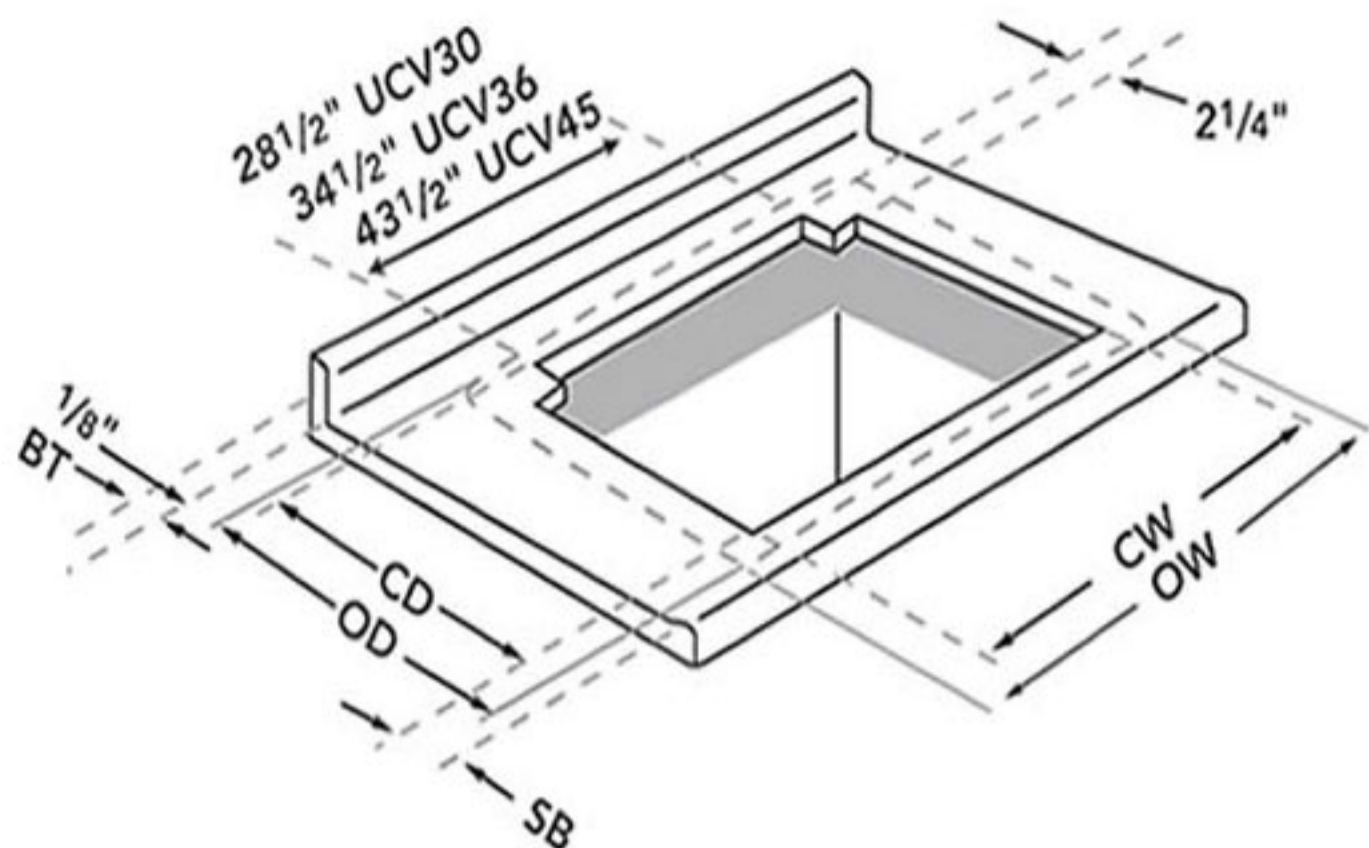
Gas Cooktop Cutout



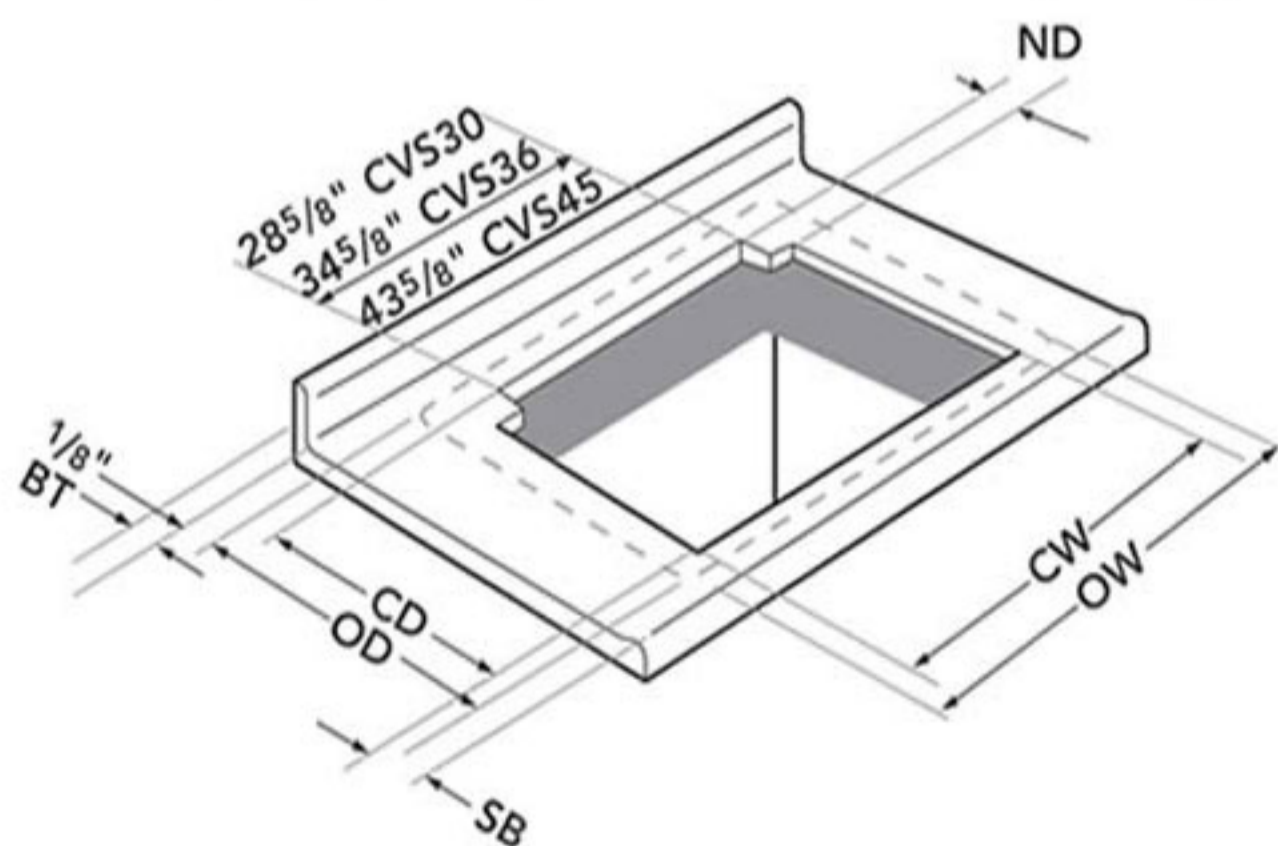
Gas Cooktop Cutout and Downdraft



Comprehensive Countertop Cutout with Downdraft (UCV)



Comprehensive Countertop Cutout with Downdraft (CVS)



Notes: 1) All height, width and depth dimensions are shown in inches. 2) Solid surface countertops require special cutout size.

*Please refer to installation instructions prior to making cutout. Installation instructions are available at www.thermador.com.

Cooktops are CGA and AGA approved.

For immediate critical installation dimensions by fax, use your fax handset and call (775) 833-3600. Use code #8030 for a directory of Thermador products.