

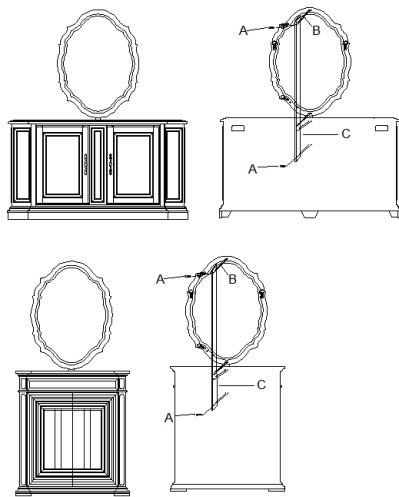
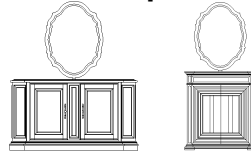


# ASSEMBLY INSTRUCTION

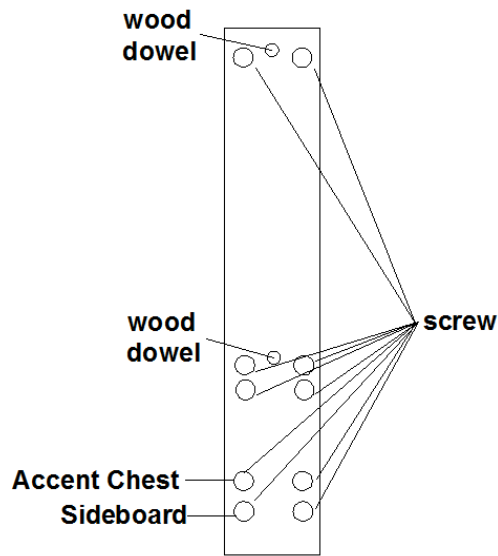
ITEM# 5960-50003-BLK Natalia Accent Mirror  
 5960-75900-MULTI North Cliff Sideboard  
 5960-50007-MULTI Cypress Mill Accent Chest

**\*\* Please make sure you have all parts indicated below prior to assembly.  
 This unit is heavy and can best be assembled with the help of two or more people.**

NO	HARDWARE LIST	Q'TY
A	 SCREW	8
B	 LOCATOR DOWEL	2



**Diagram 1**



**Diagram 2**

**This mirror can be assembled with two kinds of chests. Below are assembly steps :**

1. Insert locator dowels (B) to the pre-drilled holes on wood support (C).
2. Place mirror on top of the dresser. Be sure to position the mirror in middle of the top. The back bottom edge of the mirror and the back edge of the top should be flushed.
3. Attach wood support (C) to the back of mirror and dresser. Align locator dowels (B) on wood support to the holes on the back of mirror. (See diagram 1)
4. Tighten all screws (A) to the pre-drilled holes on wood support (C) by using Philips screwdriver. Please see Diagram 2 (bottom two holes on mirror support are for Sideboard and second bottom two holes are for Accent Chest).

Note: This mirror can be hung in vertical and horizontal directions.

**Caution: Do not over tighten.**

*Cleaning Instruction: Clean finished parts with a damp cloth using a mild dishwashing liquid and water solution. Polish the finish with soft cloth and an industry recognized furniture polish.*