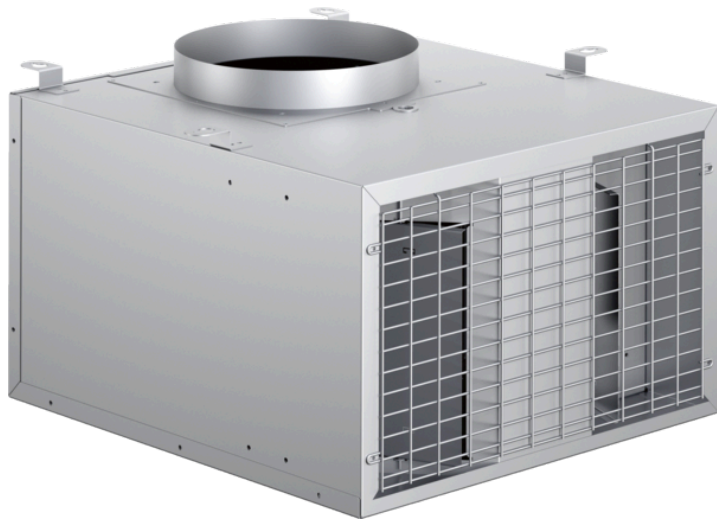


**1000 CFM Remote Blower**  
VTR1030W



**Product Features**

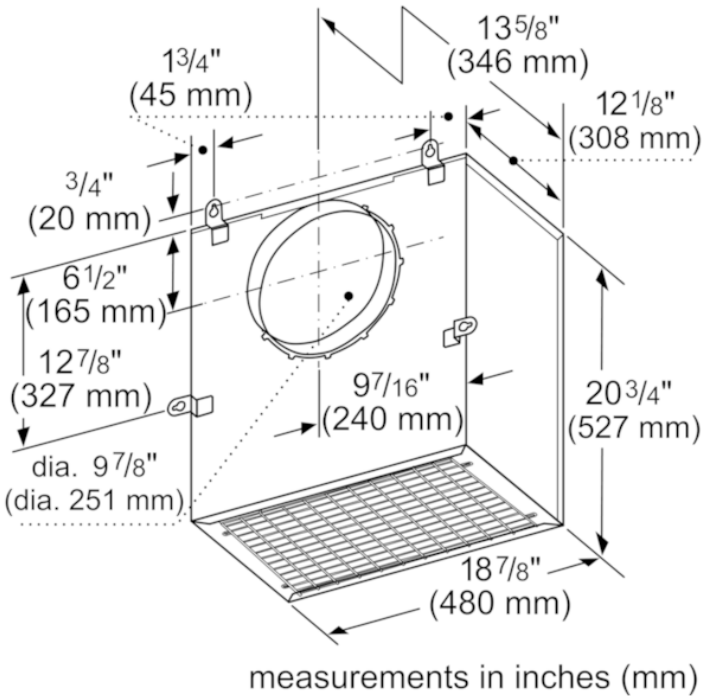


Notes: Please refer to installation instructions. Installation instructions are available at [www.thermador.com](http://www.thermador.com). Specifications are correct at the time of printing. Thermador reserves the right to change product specifications and design at any time, without notice.

1 800 735 4328 | [WWW.THERMADOR.COM](http://WWW.THERMADOR.COM) | 1901 Main Street, Suite 600 Irvine, CA 92614

©2018 BSH HOME APPLIANCES CORPORATION, ALL RIGHTS RESERVED LITHO DATE: 09/2018

**1000 CFM Remote Blower**  
VTR1030W



**Product Features**

Product group	Accessory
Brand	Thermador
SKU	VTR1030W
Internal article number	VTR1030W
EAN code	825225941279
Product packaging dimensions (HxWxD) (in)	17 11/16" x 23 2/8" x 26 3/4"
Net weight (lbs)	45
Gross weight (lbs)	47
UPC code	825225941279
Name of product image	MCSA02216265_i7492_1622057_VTR1030W_PAK

**Technical Specification**

Notes: Please refer to installation instructions. Installation instructions are available at [www.thermador.com](http://www.thermador.com). Specifications are correct at the time of printing. Thermador reserves the right to change product specifications and design at any time, without notice.

1 800 735 4328 | [WWW.THERMADOR.COM](http://WWW.THERMADOR.COM) | 1901 Main Street, Suite 600 Irvine, CA 92614

©2018 BSH HOME APPLIANCES CORPORATION, ALL RIGHTS RESERVED LITHO DATE: 09/2018