



30-INCH COMBI WALL OVEN

DOC30M977D | MODERNIST COLLECTION



AVAILABLE MODELS

- DOC30M977DM Graphite Stainless Steel
- DOC30M977DS Stainless Steel

FEATURES & BENEFITS

- Available in graphite stainless steel and silver stainless steel.
- Exclusive Four Part Dual Pure Convection Oven - heat, air, baffle and filter to precisely distribute heat for superior cooking results.
- Steam and Convection Oven - the power of steam assist and convection cooking in one.
- The convenience of Microwave Convection.
- Large oven capacity: Microwave 1.9 cu. ft. / Oven 4.8 cu. ft.
- BrightVue™ oven lighting (LED + Halogen Lights).
- RadiantVue™ microwave lighting (LED + Metal Mesh).
- 7" LCD control panel.
- Dacor iQ Kitchen app with integrated Wi-Fi to control and monitor remotely.
- Flush installation.

ACCESSORIES (INCLUDED)

GLIDE RACKS	2
STANDARD RACKS	1
TEMPERATURE PROBE	1
AUTOMATIC WATER RESERVOIR	1
TURN TABLE (OPTITRAY™)	1
MICROWAVE WIRE RACK	1
EVENPLATE™	1

ACCESSORIES (OPTIONAL)

COOKIE SHEETS (SET OF 3)	SKU - ACSM303
--------------------------	---------------

GENERAL PROPERTIES - OVEN

COOKING MODES
LOWER CAVITY

BAKE - BROIL - CONVECTION
BAKE - CONVECTION ROAST -
CONVECTION
BROIL - FOUR PART PURE
CONVECTION - PURE
CONVECTION SEAR - STEAM
BAKE - STEAM ROAST

GENERAL PROPERTIES - MICROWAVE

COOKING MODES
UPPER CAVITY

BROIL - CONVECTION SEAR
(POWER CONVECTION) - SPEED
CONVECTION
SEAR - SPEED BROIL

FEATURES

TYPE	COMBINATION MICROWAVE/ OVEN
SOFT CLOSE DOOR (OVEN)	SOFTSHUT™
LIGHTING	BRIGHTVUE™ AND RADIANTVUE™

ADDITIONAL FEATURES - OVEN

CLEANING TYPE	SELF CLEAN GREENCLEAN™
OVEN TYPE	COMBINATION
INSTALLATION	FLUSH
CONTROLS	7" LCD
WI FI	YES (REMOTE ENABLED)
CONVECTION TYPE	FOUR PART DUAL PURE CONVECTION WITH MESH FILTER
OVEN COLORS	SILVER STAINLESS STEEL GRAPHITE STAINLESS STEEL

OVEN PERFORMANCE

BAKE ELEMENT	3,000W - 8 PASS
BROIL ELEMENT	4,400W - 10 PASS
CONVECTION ELEMENT	1,300W (EACH - 2,600W TOTAL)
STEAM HEATER	500W

CONTROL FEATURES - OVEN

WI FI ON/OFF	YES
LANGUAGE OPTIONS	YES
CLOCK	YES (12 HR/24 HR)
DELAY START	YES
KITCHEN TIMER	YES
SABBATH MODE	YES
LAMP ON/OFF	YES
CHILD LOCK	YES
OPTIONS	YES
ENERGY SAVING	YES
DEMO MODE	YES

CONTROL FEATURES - MICROWAVE

CLOCK YES	(12 HR/24 HR)
KITCHEN TIMER	YES
LAMP ON/OFF	YES
CHILD LOCK	YES
SOUND	YES
WI FI	YES (MONITOR ONLY)



30-INCH COMBI WALL OVEN

OVEN

ADDITIONAL MODES

KEEP WARM	YES
PROOF (LOWER TEMP)	YES
PROOF	YES
PIZZA STONE MODE	YES
DEHYDRATE	YES
GOURMET COOK	YES
INSTANTHEAT™	YES
TEMPERATURE PROBE	YES

TECHNICAL DETAILS

CIRCUIT BREAKER (A)	40
VOLTS (V)	240 / 208
FREQUENCY (HZ)	60
ENERGY SOURCE	ELECTRIC

MICROWAVE

ADDITIONAL MODES

ADD 30 SECONDS	YES
DEFROST	YES
AUTO COOK (NO SENSOR)	YES
SENSE COOK™ (SENSOR COOK)	YES
CONVECTION SEAR AUTO COOK	YES
HEALTHY FRY (SLIM FRY)	YES
HEALTHY CHOICE (FIT CHOICE)	YES

TECHNICAL DETAILS

POWER LEVEL	950W
-------------	------

MICROWAVE AND OVEN

DIMENSIONS & WEIGHT

APPLIANCE DIMENSIONS (H X W X D) (IN.)	43 3/8" X 29 3/4" X 23 1/8"
REQUIRED CUTOUT SIZE (H X W X D) (IN.)	43 11/16" X 30 1/4" X 24 7/8"
OVEN CAPACITY (CUBIC FEET)	4.8
MICROWAVE CAPACITY (CUBIC FEET)	1.9

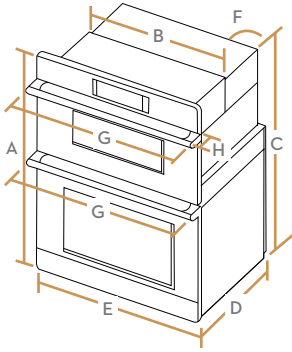
WARRANTY

LIMITED, PARTS AND LABOR	1 YEAR
--------------------------	--------

dacor

30-INCH COMBI WALL OVEN

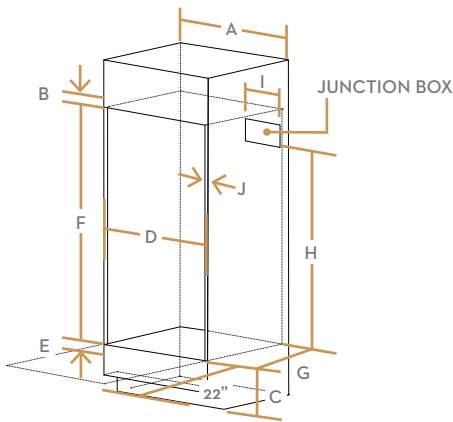
APPLIANCE DIMENSIONS



30"

A	43 3/8" (110.2CM)	OVERALL HEIGHT
B	28 1/2" (72.4CM)	RECESSED WIDTH
C	42" (106.7CM)	RECESSED HEIGHT
D	23 1/8" (58.7CM)	RECESSED DEPTH
E	29 3/4" (75.6CM)	DOOR WIDTH
F	67" (170CM)	CONDUIT LENGTH
G	30" (76.2CM)	OVERALL WIDTH (HANDLE WIDTH)
H	2 1/4" (5.6CM)	HANDLE DEPTH

INSTALLATION CUTOUT DIMENSIONS

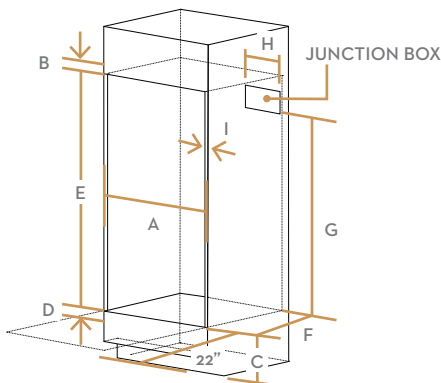


Allow a minimum of 22" for clearance to adjacent corners, drawers, walls, etc. when door is open.

STANDARD CABINET DIMENSIONS

A	30" (76.2CM)
B	MIN. 1 3/16" (3.0CM)
C	12" (30.5CM)
D	MIN. 28 5/8" / MAX. 28 3/4" (MIN. 72.7CM / MAX. 73.0CM)
E	MIN. 1" / MAX. 1 1/4" (MIN. 2.5CM / MAX. 3.2CM)
F	42 1/4" (107.3CM)
G	MIN. 23 1/2" (MIN. 59.7CM)
H	MIN. 30 1/2" (MIN. 77.5CM)
I	MAX. 9 1/2" (MAX. 24.1CM) JUNCTION BOX
J	MIN. 11/16" (1.75CM) - WOODEN CABINET THICKNESS

INSTALLATION CUTOUT DIMENSIONS



FLUSH CABINET DIMENSIONS

A	MIN. 30 3/16" / MAX. 30 5/16" (MIN. 76.7CM / MAX. 77.0CM)
B	MIN. 1 3/16" (3.0CM)
C	12" (30.5CM)
D	MIN. 1" / MAX. 1 1/4" (MIN. 2.5CM / MAX. 3.2CM)
E	43 11/16" (110.9CM)
F	MIN. 24 13/16" (MIN. 63.0CM)
G	MIN. 30 1/2" (MIN. 77.5CM)
H	MAX. 9 1/2" (MAX. 24.1CM) JUNCTION BOX
I	MIN. 11/16" (1.75CM) - WOODEN CABINET THICKNESS