

# SP Series

## Elevate your music

Get the most out of your speakers with the SP series. Available in 26 and 32-inch models, these low-profile speaker stands come equipped with a rotating top-plate to ensure every sound reaches your ears. Each stand includes a mounting hole and ¼" – 20 screw to secure your speakers in place, making them perfect for our YU4 and YU6 speakers. Their heavy steel structure helps to reduce undesirable vibrations, and features a hollow core to conceal cables and speaker wire. For stability on both carpet and hardwood flooring, every stand comes with interchangeable spiked and domed feet.



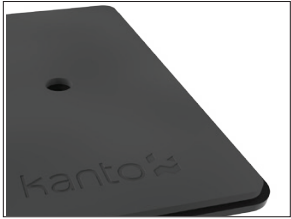
## FEATURES & SPECIFICATIONS

- Rotating top plate ensures speakers are perfectly angled
- Foam padding and a heavy steel base reduce vibration and improve overall sound quality
- Hollow interior and bottom channels help to conceal cables and speaker wire
- Includes spiked and domed feet for carpet and hardwood flooring
- Top plate measures 4.3" wide by 7.1" long (11 cm x 18 cm)
- Sold as a pair
- Two year manufacturer's warranty
- SP26PL - UPC: 800152717487
- Shipping box weight: 33.5 lb (15.2 kg)
- Shipping box dimensions: 25.9" x 9.9" x 3.3" (65.8 x 25.1 x 8.3 cm)
- Product weight: 31.1 lb (14.1 kg)
- SP32PL - UPC: 800152717494
- Shipping box weight: 35.5 lb (16.1 kg)
- Shipping box dimensions: 31.9" x 9.9" x 3.3" (81 x 25.1 x 8.3 cm)
- Product weight: 32.6 lb (14.8 kg)



### ROTATING TOP-PLATE

Adjust the position of the top-plate to ensure your speakers are always angled towards you.



### FOAM INSULATION

Foam padding covers the entire top surface of each stand, helping to reduce vibrations and improve overall sound quality.



### SOLID STEEL STRUCTURE

Built from solid steel, the stands reduce undesirable resonance by insulating your speakers from the surrounding area.



### INTERCHANGEABLE FEET

Spiked feet are provided to keep the stands planted securely on carpet. To avoid damage to hardwood flooring, circular rubber feet are also included.



### CABLE MANAGEMENT

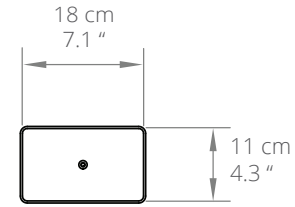
Hollow support towers allow you to route your power cable and speaker wire, ensuring they remain concealed.



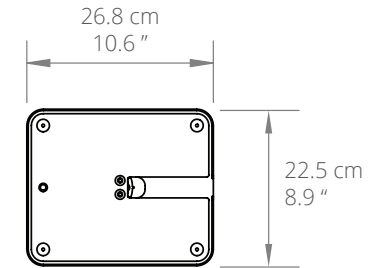
### MOUNTING HOLE

The SP series features a mounting hole and 1/4" - 20 screw to allow you to secure YU4, YU6 or other compatible speakers in place.

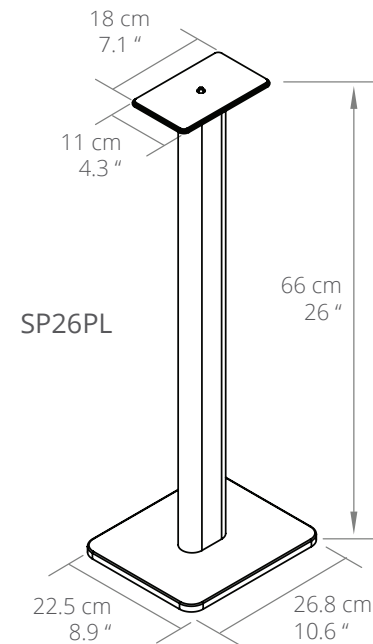
## TECHNICAL ILLUSTRATIONS



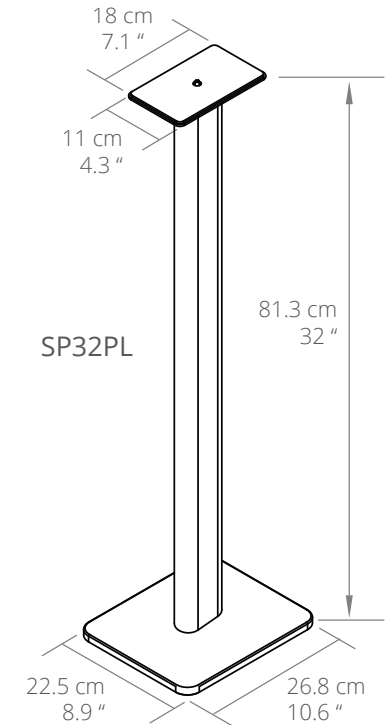
Top Plate



Bottom Plate



SP26PL



SP32PL