

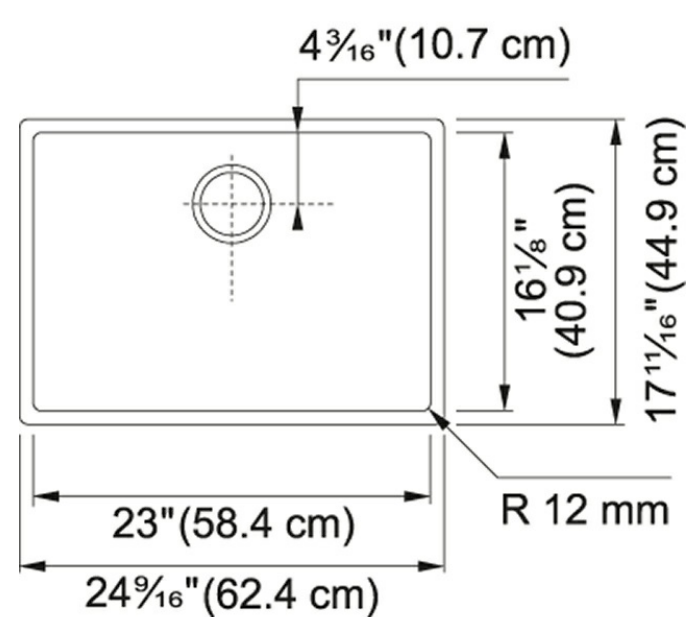
Cube Stainless Steel

The new Cube family of handcrafted undermount sinks combines Swiss engineering with sleek, minimalist design. Available in single- and double-bowl styles, the sinks feature a smooth bowl design with a clean look, an easy-to-clean satin finish and sound dampening pads.

Product Picture



Technical Drawing



Product Dimensions

Length overall	24 5/8"
Width overall	17 11/16"
Length of large bowl	23"
Width of large bowl	16 1/8"
Depth of large bowl	9"
Minimum Cabinet Size	30"

General Information

Type of Material	18 Gauge Stainless Steel
Number of Bowls	1
Installation Clips	Yes
Cut-Out Template	Yes
Where to buy	Showroom

Article Numbers

FUN#	122.0531.788
US Part Number	CUX11023

