



Quick Setup Guide

For further information, see the operating instruction supplied with the TV. Please retain this guide for your future reference.

Please follow the steps to setup your TV:

- 1 Connecting Your TV (See reverse side)
- 2 Running Initial Setup
- 3 Programming the Remote Control

For service and technical assistance, call our Customer Information Service Center (Toll Free):
US residents: 1-800-222-SONY (7669)
Canadian residents: 1-877-899-SONY (7669)
DO NOT RETURN TO THE STORE

Sony Corporation © 2005 Printed in Japan

1 Connecting Your TV

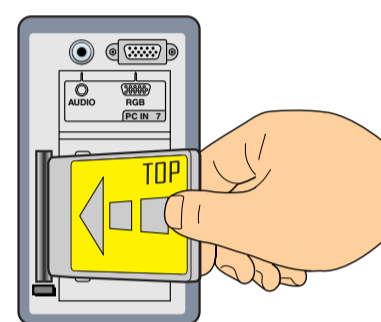
Making Audio/Video Connections

Your new TV includes various types of video inputs and two types of audio jacks; composite-RCA type and digital audio (optical). Use the outputs/inputs that are available on your components that provide the best video/audio performances:

Connector type	Connector type
Digital Optical	HDMI (High-Definition Multimedia Interface)
Digital Coaxial Will require an adapter to connect to this TV's digital audio input.	DVI (Digital Visual Interface) Will require an adapter to connect to this TV.
Analog Audio	Component video
	S VIDEO
	Composite video
	RF/Coaxial

Activating CableCARD™ Service

Before you can use CableCARD service, you need to insert the CableCARD device (supplied by your cable provider) and activate the service.



- ⚠ Inserting the CableCARD incorrectly may result in permanent damage to the card and the TV.
- ⚠ The connection diagrams shown in the reverse side are recommendations only; other possible solutions may exist. Connections that include an AV receiver can often be complex, so check your AV receiver's instruction manual for additional details.
- ⚠ See the "Cables Required" chart that appears with the diagram to determine which cables you'll need. Depending on the components you plan to connect, you may need to purchase extra cables.

Review the following chart to determine which diagram to use to connect the components in your system: Turn off and unplug all components before making connections.

For these components	See reverse side	Video1 - VCR	Video 4 - DVD Player	Video 1 - AV Receiver	Video 4 - DVD Player	Video 1 - Cable Box	Video 3 - VCR	Video 4 - DVD Player	Video 6 - SAT Box	Video 4 - AV Receiver	Video 5 - HD Cable Box / HD SAT Box	Video 6 - Digital Rec.	Video 1 - VCR	Video 4 - DVD Player	Video 6 - HD Cable Box	Video 1 - Sony Dream System (Composite or S-Video)	Video 2 - VCR	Optical Out - Sony Dream System	
Cable Antenna	CableCARD (optional) VCR DVD Player	A																	
Cable/SAT Antenna	Cable Box OR Satellite Receiver AV Receiver	B																	
Cable/SAT Antenna	Cable Box VCR DVD Player Satellite Receiver	C																	
Cable/SAT Antenna	HD Cable Box OR HD Sat Receiver DVD Player AV Receiver (use component) Signal Recorder	D																	
Cable/SAT Antenna	HD Cable Box OR HD Sat Receiver VCR DVD Player HD DVR	E																	
Cable/SAT Antenna	Cable Box OR Satellite Receiver VCR Sony Dream System	F																	

2 Running Initial Setup

1 Press to turn on the TV. The Initial Setup screen appears.

2 Press or to highlight the on-screen display language. Then press . The message "First please connect cable and/or antenna" appears. This may require 50+ minutes for completion and "Start auto program now?" appears.

3 Press (Yes) to start Initial Setup.

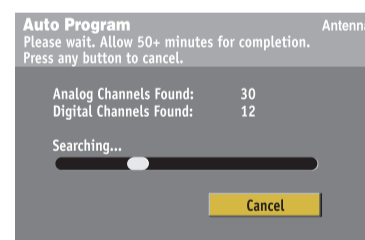
Initial Setup automatically creates a list of receivable channels from both VHF/UHF antenna and cable TV channels if both sources are connected.

When Initial Setup is complete, the TV will display the total number of analog channels and the total number of digital channels found.

4 Press to exit this screen.

To run Auto Program again at a later time

Refer to the manual on "Initial Setup" and "Auto Program" sections.



3 Programming the Remote Control

The remote control is preset to operate Sony brand video equipment.

Sony Equipment	Programmable Code Number
DVR	772
DVD/VCR	601 (Sony Dream System)
SAT/CABLE	801 (Sony Satellite Receiver)

Follow the steps below to program your TV's remote control to operate other video equipment.

Find the three-digit code for your equipment from the "Manufacturer's Codes" listed on right. If more than one code number is listed, try entering from the code listed first.



- 1 Press and hold the or or FUNCTION button you want to program on the remote control and press the button simultaneously. The selected FUNCTION button (, or) will flash.
- 2 Enter the three-digit manufacturer's code number using the 0-9 buttons while the button is lit. If code is not entered within 10 seconds, you must perform the step 1 again.
- 3 Press button. When programmed correctly, the selected FUNCTION button will flash twice, and when not, it flashes five times.

To check if the code works
Aim your TV's remote control at the equipment, and press the green button. If the equipment responds, the programming is completed. If not, try the next code listed.

- ⚠ If no code is input within the above specified time, or an invalid or incorrect code number is input, the remote control automatically goes back to the previous setting.
- ⚠ In some cases, you may not be able to program your remote control to operate other equipment. In such cases, use the equipment's own remote control.
- ⚠ Removing the batteries or dead batteries may cause the programmed codes to be lost and revert back to the factory setting. Reprogramming the codes may be necessary.

Manufacturer's codes

DVD Players

Manufacturer	Code
Sony	751
General Electric	755
Hitachi	758
JVC	756
Magnavox	757
Mitsubishi	761
Panasonic	753
Philips	757
Pioneer	752, 778
RCA/PROSCAN	755
Samsung	758
Toshiba	754
Zenith	760

DVD Changers

Manufacturer	Code
Sony	765
Panasonic	766

DVD/VCR Combo Units

Manufacturer	Code
Sony	767
Broksonic	776
JVC	775
Panasonic	777
Samsung	774
Toshiba	773
Zenith	768

HDD/DVD Combo Units

Manufacturer	Code
Sony	772, 771, 770

5.1ch DVD AV System

Manufacturer	Code
Sony (DAV)	601, 602, 603, 604

AV Receivers

Manufacturer	Code
Sony	764

VCRs

Manufacturer	Code
Sony	301, 302, 303
Admiral (M. Ward)	327
Aiwa*	338, 344
Audio Dynamic	314, 337

Manufacturer Code

Broksonic	319, 317
Canon	309, 308
Citizen	332
Craig	302, 332
Curtis Mathes	304, 338, 309
Daewoo	341, 312, 309
DBX	314, 336, 337
Dimensia	304
Emerson	319, 320, 316, 317, 318, 341
Fisher	330, 335
Funai	338
General Electric	329, 304, 309
Go Video	322, 339, 340
Goldstar	332
Hitachi	306, 304, 305, 338
Instant Replay	309, 308
JC Penney	309, 305, 304, 330, 314, 336, 337
JVC	314, 336, 337, 345, 346, 347
Kenwood	314, 336, 332, 337
LG	332
LXI (SEARS)	332, 305, 330, 335, 338
Magnavox	308, 309, 310
Marantz	314, 336, 337
Marta	332
Memorex	309, 335
Minolta	305, 304
Mitsubishi/MGA	323, 324, 325, 326
Multitech	325, 338, 321
NEC	314, 336, 337
Olympic	309, 308
Optimus	327
Orion	317
Panasonic	308, 309, 306, 307
Pentac	305, 304
Philco	308, 309
Philips	308, 309, 310
Pioneer	308
Quasar	308, 309, 306
RCA/PROSCAN	304, 305, 308, 309, 311, 312, 313, 310, 329
Realistic	309, 330, 328, 335, 324, 338
Sansui	314
Samsung	322, 313, 321
Sanyo	330, 335
Scott	312, 313, 321, 335, 323, 324, 325, 326
Sharp	327, 328
Signature 2000 (M.Ward)	338, 327
SV 2000	338

Manufacturer Code

Sylvania	308, 309, 338, 310
Symphonic	338
Tashiro	332
Tatung	314, 336, 337
Teac	314, 336, 338, 337
Technics	309, 308
Toshiba	312, 311
Wards	327, 328, 335, 331, 332
Yamaha	314, 330, 336, 337
Zenith	331

Cable Boxes

Manufacturer	Code
Sony	230
Hamlin/Regal	222, 223, 224, 225, 226
Jerrold/General Inst./Motorola	201, 202, 203, 204, 205, 206, 207, 208, 218, 222
Oak	227, 228, 229
Panasonic	219, 220, 221
Pioneer	211, 214, 215
Scientific Atlanta	209, 210, 211
Tomcom	216, 217
Zenith	212, 213

Satellite Receivers

Manufacturer	Code
Sony	801
Dish Network	810
EchoStar	810
General Electric	802
Hitachi	805
Hughes	804
Mitsubishi	809
Panasonic	803
Philips	811
RCA/PROSCAN	802, 808
Toshiba	806, 807
Samsung	812

* If an Aiwa VCR does not work even though you enter the code for Aiwa, enter the code for Sony instead.

Notes on your new TV

Wide Mode: Selecting appropriate screen mode will increase enjoyment of your TV viewing.

When watching a Standard Definition source (4:3 aspect ratio) on this TV, you will see bars on both the left and right sides of the screen. Press the WIDE button on your remote to cycle through different screen modes to fill the screen in various ways. (Wide Zoom enlarges the center, Normal is how your TV receives the signal, Full stretches horizontally and Zoom enlarges the image proportionately to fill the screen.)

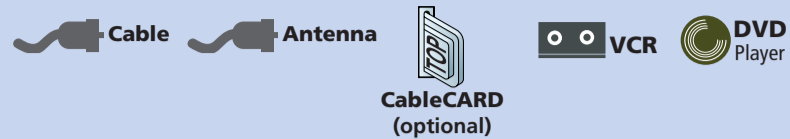
When watching a High Definition source (16:9 aspect ratio) on this TV, you will see screen filled with a image. Press the WIDE button on your remote to toggle through different screen modes, especially zooming in to the center of the screen. (Wide Zoom enlarges the center, Full displays the image at its original size, Zoom enlarges the image proportionately to fill the screen.)

When the TV receives a 720p or 1080i formatted signal, the Normal mode is not available. See **Using WIDE Button section of the manual.**

- ⚠ If you feel the images on the screen is stretched, press the WIDE button to select a different screen mode.

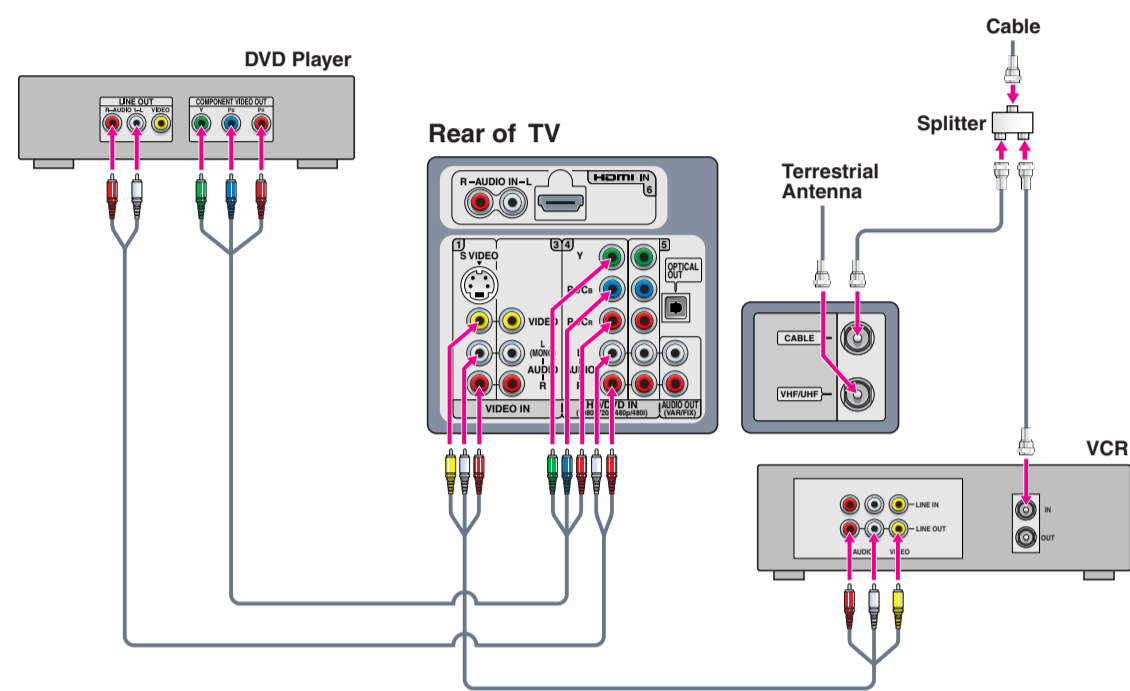
A

Use this diagram if you have;



Cables Required	
Splitter	1
Coaxial	4
Composite	1
Component	1
Audio	1

If your DVD player has an HDMI jack, use that instead of the video connections shown here.



CableCARD use is optional; contact your cable TV provider. See the Operating Instructions for details on using CableCARD.

B

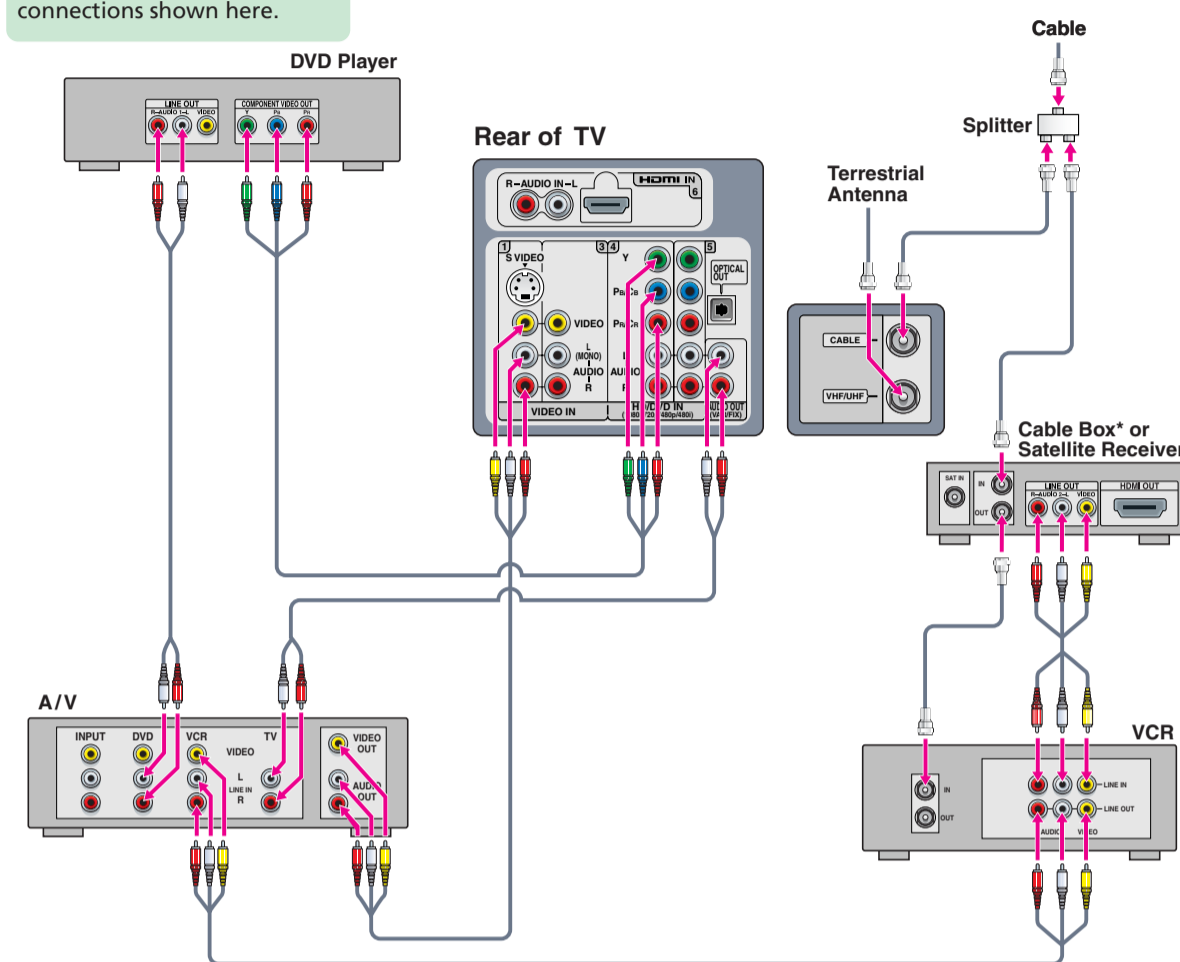
Use this diagram if you have; Cable/SAT Antenna



Cables Required	
Splitter	1
Coaxial	5
Composite	3
Component	1
Audio	2

If your DVD player or satellite receiver has an HDMI jack, use that instead of the video connections shown here.

If you are not using a cable box or satellite receiver, connect your cable to the VCR's RF IN jack.



* Cable box may not be required if using CableCARD. See the Operating Instructions for details.

C

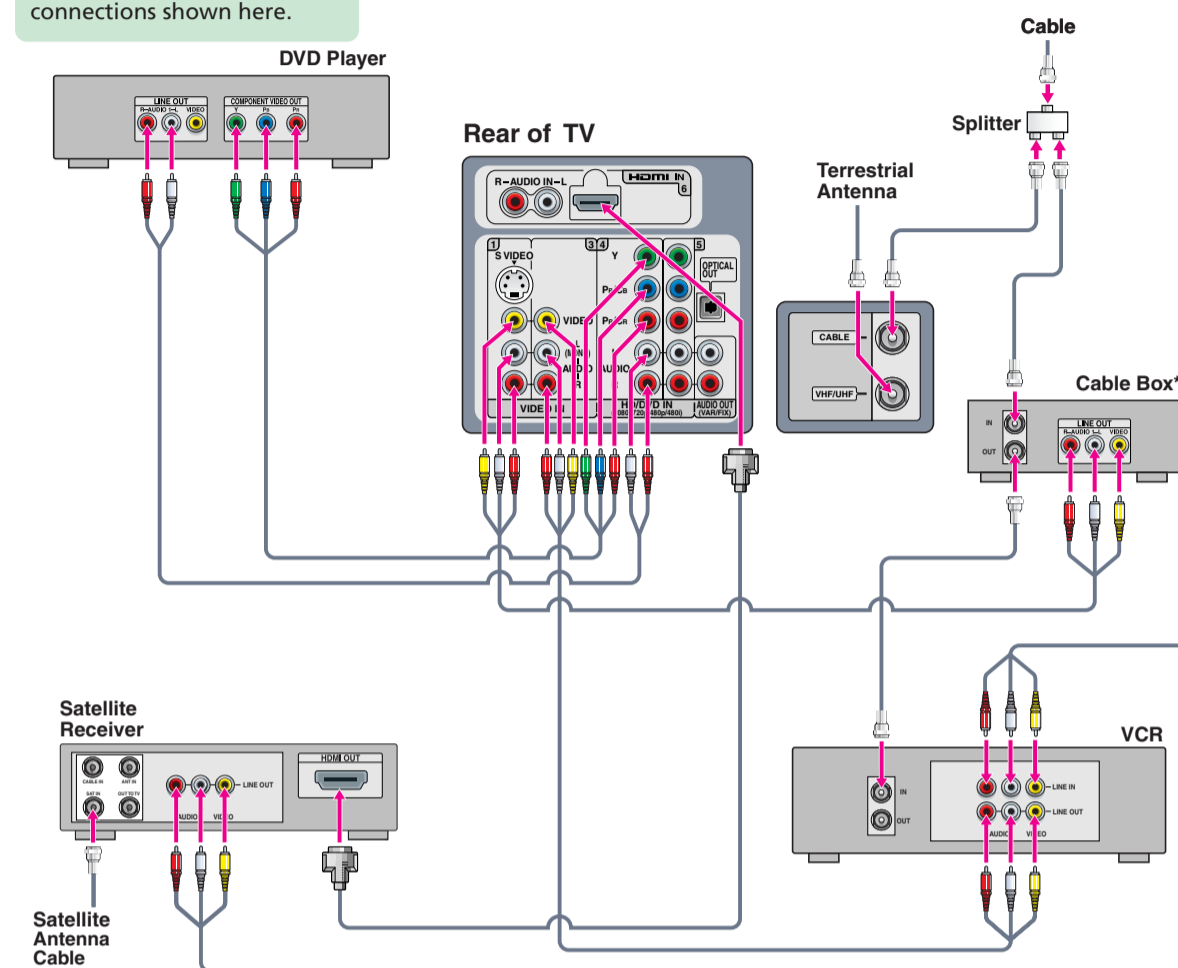
Use this diagram if you have; Cable/SAT Antenna



Cables Required	
Splitter	1
Coaxial	6
Composite	3
Component	1
Audio	1
HDMI	1

If your DVD player or satellite receiver has an HDMI jack, use that instead of the video connections shown here.

If you are not using a cable box, connect your cable to the VCR's RF IN jack.



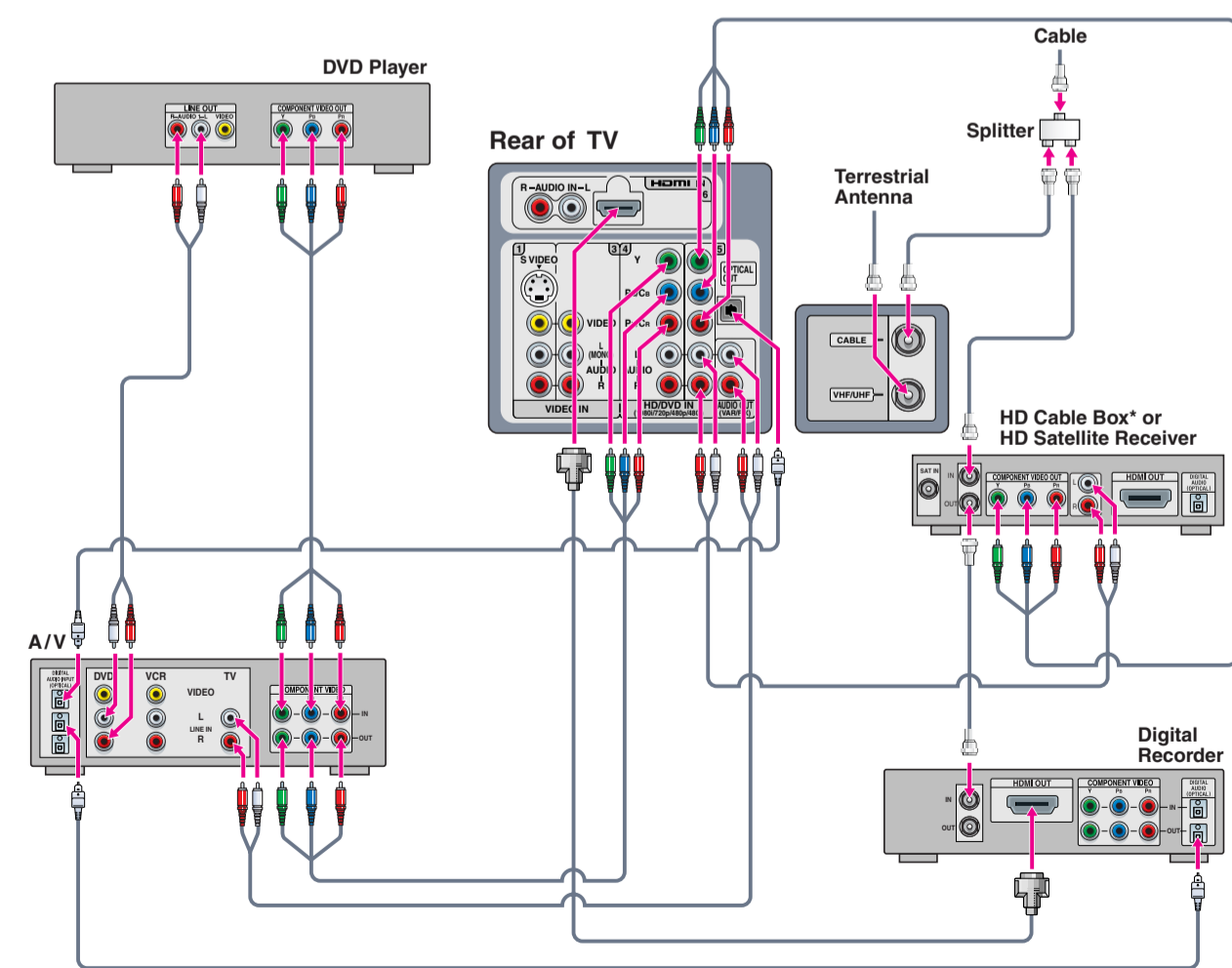
* Cable box may not be required if using CableCARD. See the Operating Instructions for details.

D

Use this diagram if you have; Cable/SAT Antenna



Cables Required	
Splitter	1
Coaxial	5
Component	3
Audio	3
HDMI	1
Optical Audio	2



* Cable box may not be required if using CableCARD. See the Operating Instructions for details.

E

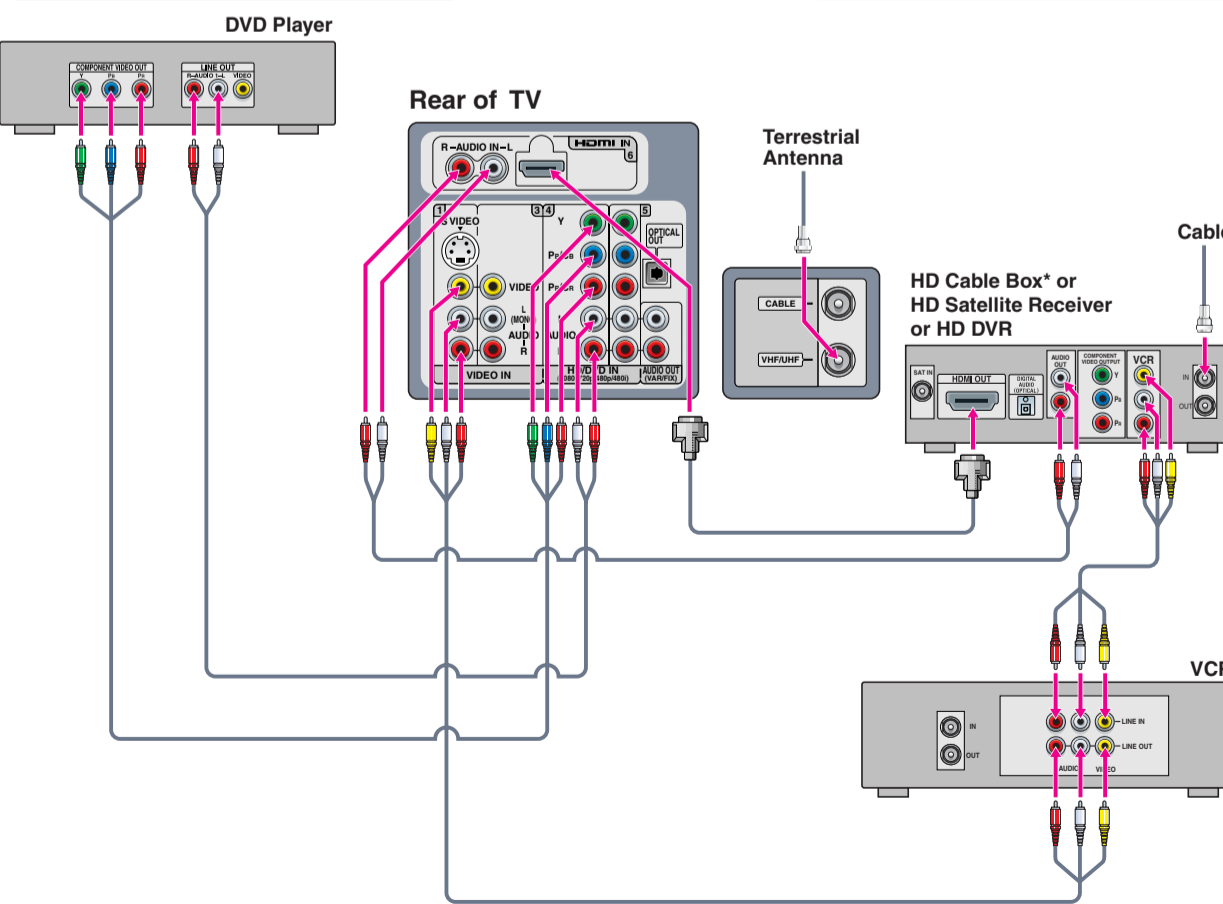
Use this diagram if you have;



Cables Required	
Coaxial	2
Composite	2
Component	1
Audio	2
HDMI	1

If your DVD player has an HDMI jack, use that instead of the video connections shown here.

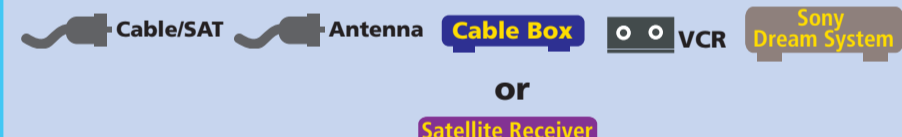
For best results, check the cable box's manual for proper setup of the HD output.



* Cable box may not be required if using CableCARD. See the Operating Instructions for details.

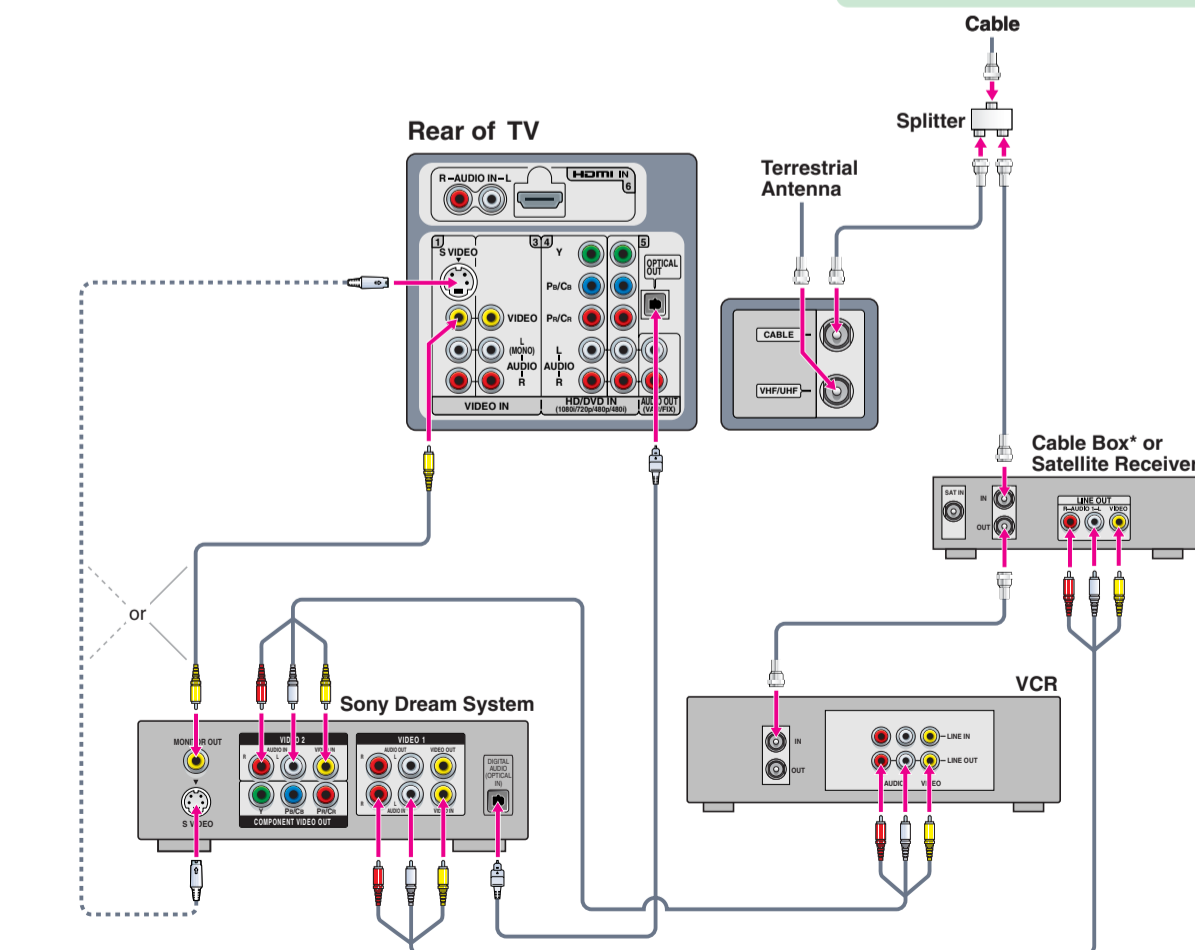
F

Use this diagram if you have;



Cables Required	
Splitter	1
Coaxial	5
Composite	2
Video	1
Optical Audio	1

If you are not using a cable box or satellite receiver, connect the cable to the VCR's RF IN jack.



* Cable box may not be required if using CableCARD. See the Operating Instructions for details.