

Forte WTT32I3

300 CFM Stainless Steel
Chimney Wall Hood

HVI certified performance

Heat Sentry™ detects excessive heat and adjusts speed to high automatically

5 minute delay-off feature and reminder light for filter maintenance

Telescopic flue for 8–9' ceilings is standard; flue extensions for 10' ceilings and custom extensions available

Recirculating flues have vent openings to allow non-ducted operation and may be exposed in ducted applications with 9' ceilings



Hood Sizes

Width 30": WTT32I330SB, **36"**: WTT32I336SB, **42"**: WTT32I342SB

Depth 22" (all widths)

Finish

Stocked	Brushed Standard Grade Stainless Steel
Special Order	Not Available

Features

Light Type	Halogen 50W, GU10
Number of Lamps	2 (30", 36"); 3 (42")
Lighting Levels	3
Lighting Lamps Included	Yes
Control Type	4-Speed, Electronic Push-button
Control Features	Heat Sentry™
Control Remote	No
Filter	Stainless Steel Mesh
Filter Options	None Available
Non-ducted Capability	Yes

Blower

Internal CFM	Single; 300 CFM
Sones at Normal	0.8

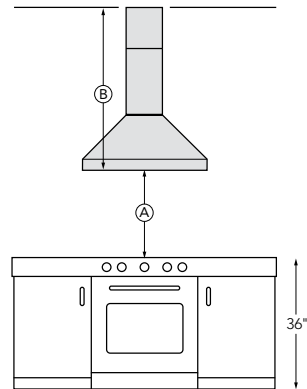
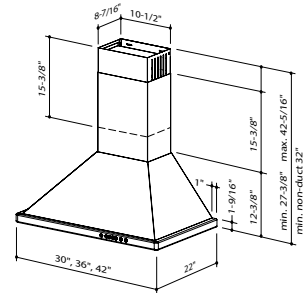


Accessories

10' Flue Extension (Ducted or Non-ducted)	AEWTT32SB
Non-Duct Recirculating Kit	ANKWTT320 for 30"; ANKWTT326 for 36" & 42"
Decorative Trim	Not available

Installation Requirements

Amps @ 120V	1.7 (30", 36"), 2.0 (42")
Electrical	Plug-in
Duct Size	Internal 300 CFM Blower: 8" Round
Duct Direction	Vertical
Backdraft Damper	Included



A. Installation height above the cooking surface 24–30"

B. Minimum/maximum distance from bottom of range hood to top of telescopic flue : 27-3/8" – 42-5/16"



4-Speed Electronic push-button control provides full range of operation



Quick-release stainless steel filter is dishwasher safe



BESTRANGEHOODS.COM, IN U.S.A. 800-558-1711, IN CANADA 866-737-7770

Best is a registered trademark of Broan. Best® reserves the right to change specifications at any time without notice. ©2018 Broan | Printed in USA | 01/18 | 99851002A