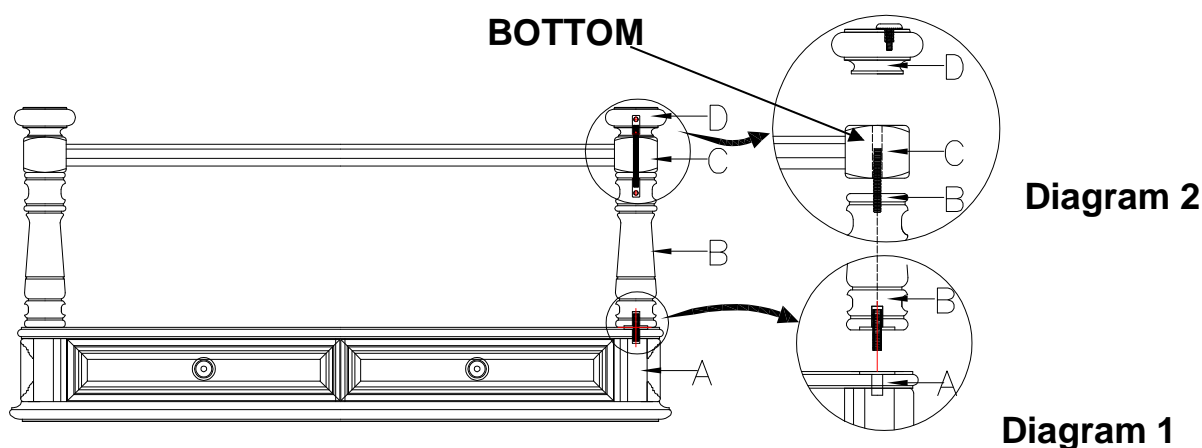
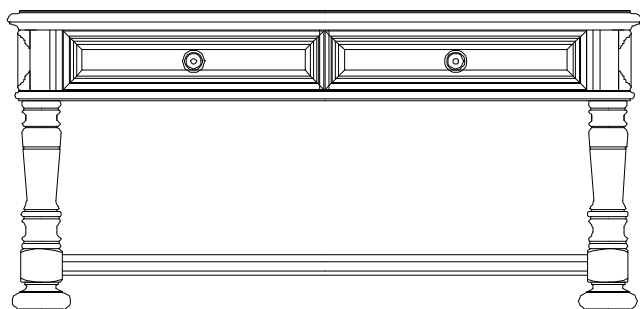


ASSEMBLY INSTRUCTION

Item#: 864-80-112 Square Cocktail Table

** Please ensure you have all the parts indicated below prior to assembly.
This unit is heavy and can best be assembled with the help of two or more person.



1. Place the top upside down on a soft surface.
2. Attach the post(B) to the top (A), insert the end with shorter bolt in , secure by turning in a clockwise direction(see diagram 1).
3. Attach other three posts in the same way as step 2.
4. Put the shelf (C) on the posts, there is a small label "BOTTOM" stick on corner of the shelf, please make sure this side face to the floor.
5. Attach the foot(D) to the bolt of post(B). Secure by turning in a clockwise direction. (See Diagram 2)
6. Attach the other three feet in the same way as step 5.
7. Turn the table upright, make sure the drawers will not come out when turning.

Cleaning Instruction: Clean finished parts with a mild dishwashing liquid and water solution on a damp cloth. Polish the finish with soft cloth and an industry recognized furniture polish