



HOOKER
— FURNITURE —




ASSEMBLY INSTRUCTION

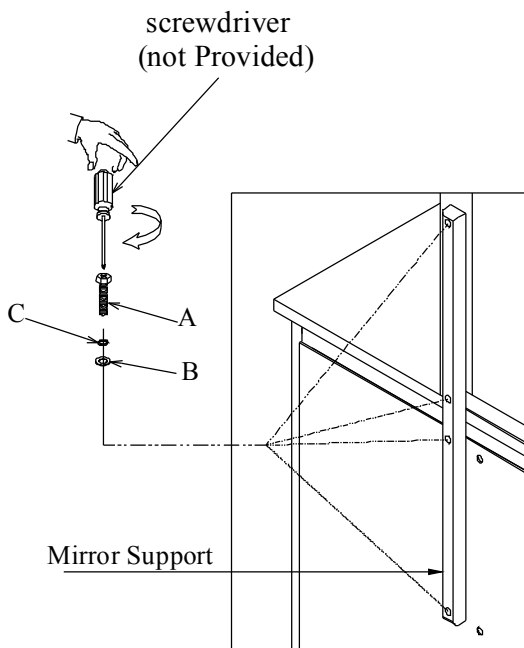
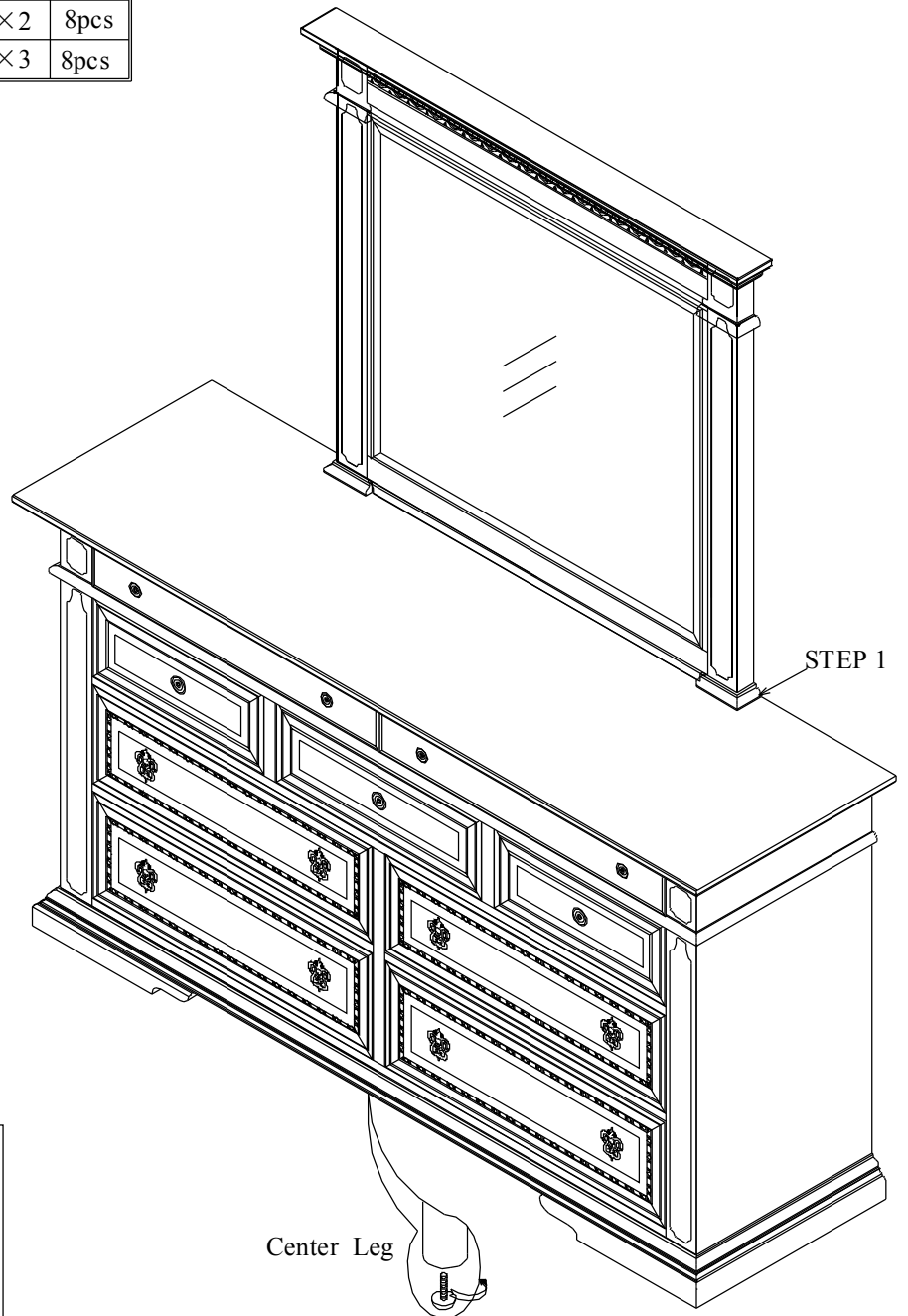
Item: 5374-90002 Nine- Drawer Dresser
5374-90006 Mantle Landscape Mirror

Thank you for purchasing this quality product. Be sure to unpack carefully looking for small parts which may have come loose during shipment.

Read all instruction and study the drawing carefully before starting the assembly process:

HARDWARE PACK

NO	DRAWING	DESCRIPTION	SIZE	Q'TY
A		BOLT	$\Phi 1/4" \times 1-1/2"$	8pcs
B		FLAT WASHER	$\Phi 1/4" \times 19 \times 2$	8pcs
C		LOCK WASHER	$\Phi 1/4" \times 12 \times 3$	8pcs



STEP 1