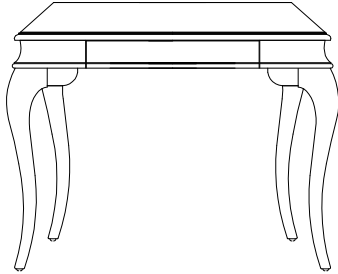






# ASSEMBLY INSTRUCTION

Item#: 638-50053 PALLADIUM WRITING DESK

**\*\* Please make sure you have all parts indicated below prior to assembly.**



NO.		HARDWARE LIST	Q'TY
A		ALLEN WRENCH	1
B		BOLT	8
C		LOCK WASHER	8
D		FLAT WASHER	8

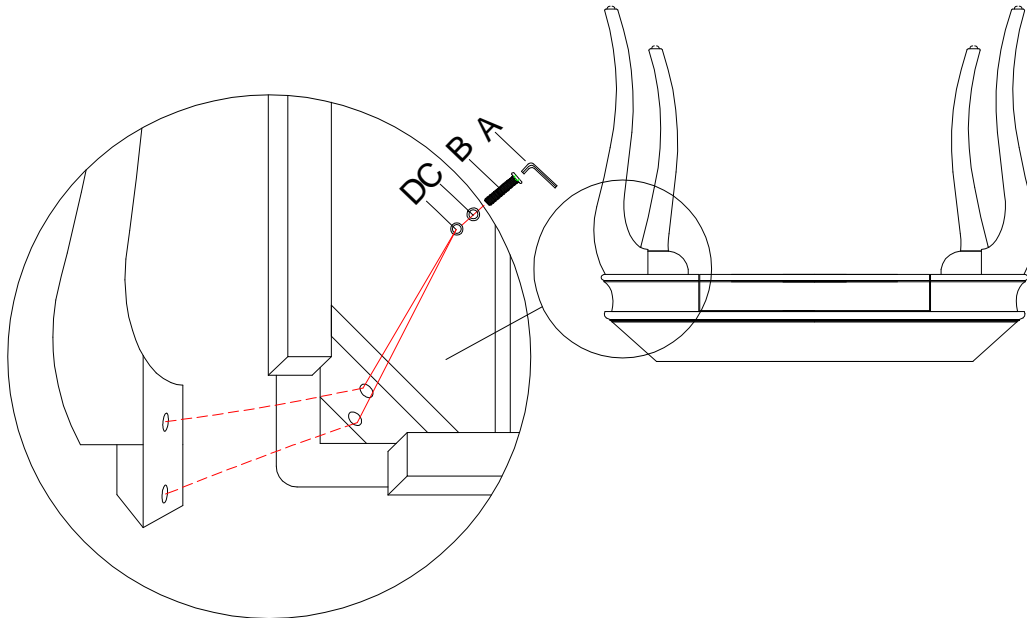


Diagram1

## Assembly steps:

1. Take desk top upside down on a flat, soft surface to prevent from scratching.
2. Attach legs to top of desk using bolts (B), lock washers (C), flat washers (D), secure all with allen wrench (A) in a clockwise direction. (See Diagram 1).
3. Turn the desk upright.

**Cleaning Instruction:** Clean finished parts with a damp cloth using a mild dishwashing liquid and water solution. Polish the finish with soft cloth and an industry recognized furniture polish.