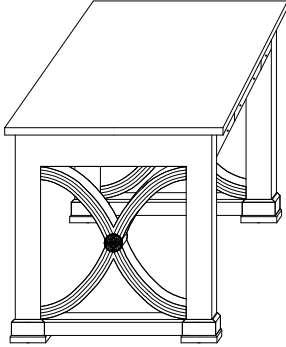






# ASSEMBLY INSTRUCTION

Item#: 638-10005 ARCHITECTURAL WRITING DESK

**\*\* Please make sure you have all parts indicated below prior to assembly.**



NO.	HARDWARE LIST		Q'TY
A		ALLEN WRENCH	1
B		BOLT	10
C		LOCK WASHER	10
D		FLAT WASHER	10

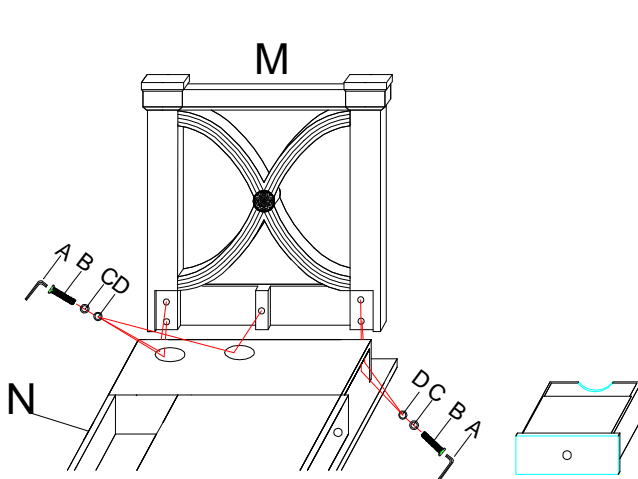


Diagram 1

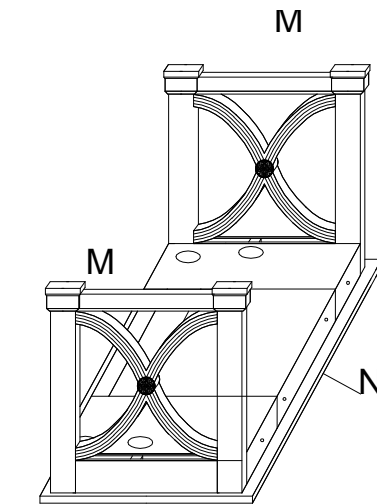


Diagram 2

## Assembly Steps:

1. Take out two side drawers. Place desk top (N) upside down on a soft surface to prevent from scratching.
2. Assemble two end posts (M) to desk top (N) using bolt (B), lock washer (C), flat washer (D), secure by turning with allen wrench (A) in a clockwise direction. (See diagram 1&2)
3. Turn the desk upright and put drawers back.

**Cleaning Instruction:** Clean finished parts with a damp cloth using a mild dishwashing liquid and water solution. Polish the finish with soft cloth and an industry recognized furniture polish.