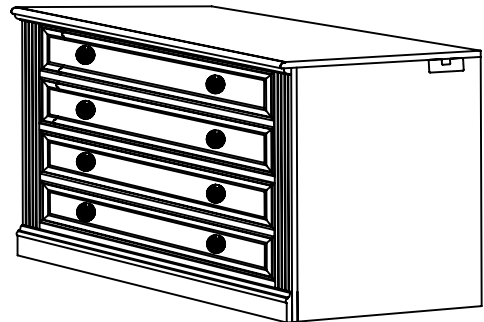
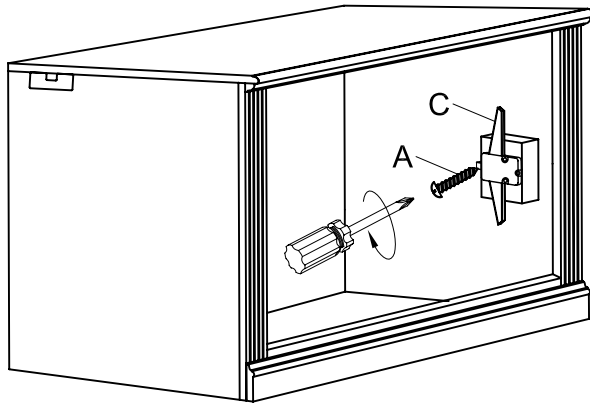


# HOKKER

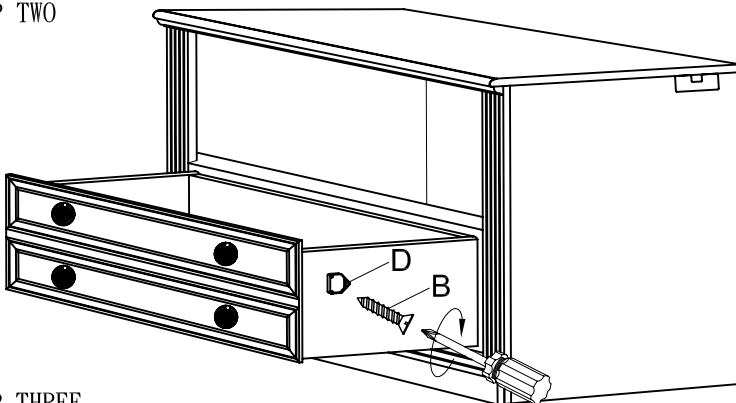
## INSTRUCTION FOR 281-10-416

\*\*\* please read all instructions carefully before starting the assembly process.\*\*\*

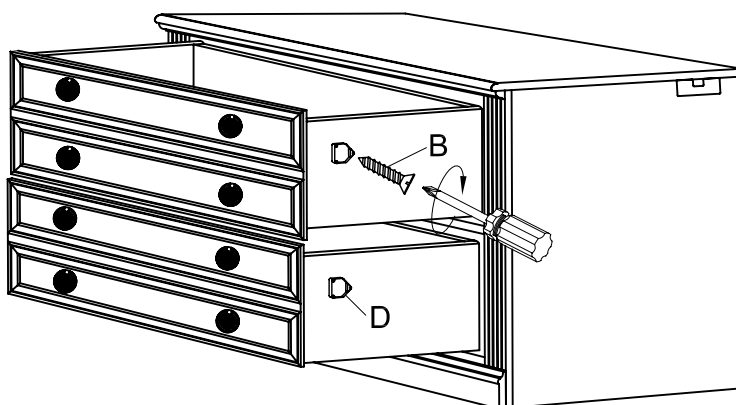
### STEP ONE



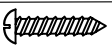

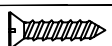

### STEP TWO



### STEP THREE



STEP ONE: SET "C" WITH "A" ON THE RIGHT SIDE PANEL.  
 STEP TWO: PUT THE BOTTOM DRAWER ON FIRST AND SET "D" WITH "B" ON THE BOTTOM DRAWER RIGHT SIDE  
 STEP THREE: PUT THE UPPER DRAWER ON AND SET "D" WITH "B" ON THE UPPER DRAWER RIGHT SIDE.  
 STEP FOUR: MUST MAKE C AND D FIX WITH EACH OTHER.

NO.	HARDWARE LIST			QTY	NO.	HARDWARE LIST			QTY
A	Screw		M6x5/8"	3pcs	C	anti-tile mechanism			1pc
B	Screw		M3x1/2"	6pcs	D	anti-tile mechanism			2pcs