

**ECO®****SUBMITTAL SHEET**

JOB NAME \_\_\_\_\_

LOCATION \_\_\_\_\_

ARCH. / ENGR. \_\_\_\_\_

WHOLESALER \_\_\_\_\_

MECH. CONTRACTOR \_\_\_\_\_

MODEL NO. \_\_\_\_\_ GAS TYPE \_\_\_\_\_

BTU/HR INPUT \_\_\_\_\_ BTU/HR OUTPUT \_\_\_\_\_

**STANDARD EQUIPMENT:****BOILER**

- Stainless steel heat exchanger
- 30 PSI ASME relief valve
- Drain valve
- Stainless steel burner
- Direct spark ignition
- Variable speed blower assembly
- Venturi mixing system with air silencer
- Negative pressure regulated gas valve
- 50 VA transformer
- Dual scale temperature and pressure gauge
- Outlet water temperature sensor
- Inlet water temperature sensor
- Flue gas temperature sensor
- Outdoor temperature sensor
- Water treatment - inhibitor & test kit

**COMPLETE JACKET ASSEMBLY WITH**

- Fully removable jacket door
- Mounting bracket
- Condensate trap
- Propane conversion orifice

**CONTROL MODULE**

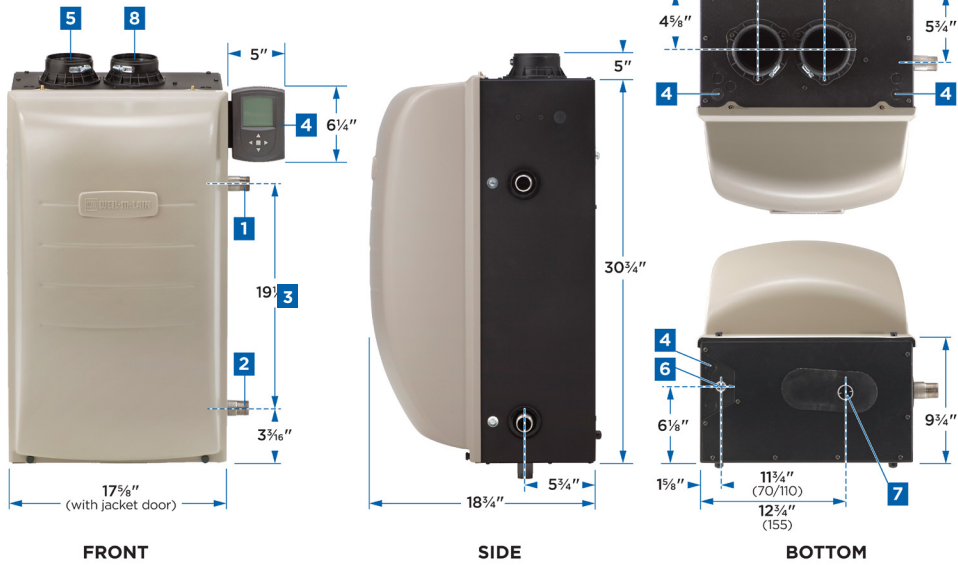
- 3.5" LCD screen
- Central heat circulator control
- DHW circulator control with priority
- Ignition control
- High limit & modulating temperature control
- Outdoor reset
- Freeze protection
- Circulator exercising

**OPTIONAL EQUIPMENT**

- Concentric vent kit
- Condensate neutralizer kit
- Low water cut-off kit
- Sidewall vent/air termination kit
- Boiler stand kit
- Maintenance kits

## DIMENSIONS

- 1** Boiler supply tapping: 1" NPT
- 2** Boiler return tapping: 1" NPT
- 3** Control display with navigation buttons
- 4** Electrical entrance openings
- 5** Vent connection: 3"
- 6** Gas connection
- 7** Condensate trap nozzle
- 8** Air connection: 3"



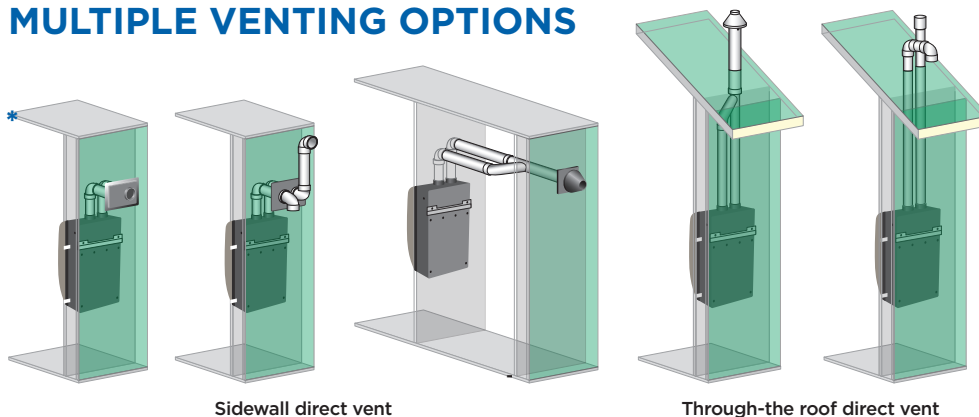
Model	Supply Tapping (in.)	Return Tapping (in.)	Gas Connection Size (in.)	Minimum Recommended Pipe Size (in.)	Approx. Shipping Weight (lbs.)
ECO 70	1	1	1/2	1	117
ECO 110	1	1	1/2	1	117
ECO 155	1 1/4	1 1/4	1/2	1 1/4	130

## SPECIFICATIONS

Model <sup>1</sup>	Input MBH		DOE Heating Capacity MBH	Net AHRI Water Ratings MBH	DOE Seasonal Efficiency AFUE%	Vent Diameter (In.)	Vent Material	Boiler Water Content (gal.)
	Max	Min						
ECO 70	70	14	65	57	95.2	2 or 3	PVC, CPVC, PP, SS	2.5
ECO 110	110	22	101	88	95.0	3	PVC, CPVC, PP, SS	2.5
ECO 155	155	28	143	124	95.1	3	PVC, CPVC, PP, SS	3.2

<sup>1</sup>Natural gas field convertible to LP as standard equipment

## MULTIPLE VENTING OPTIONS



\*70 and 155 only

In the interest of continual improvements in product and performance, Weil-McLain reserves the right to change specifications without notice.

