

M Series Transitional and Professional Contents

1	Trim
12	Screw
2	Bracket, side
1	Wipe, alcohol

E Series Transitional and Professional Contents

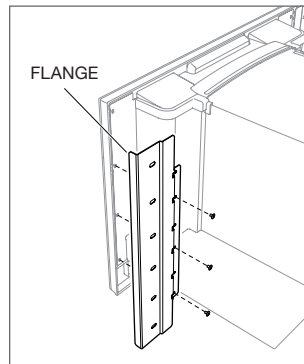
1	Trim
8	Screw
2	Bracket, side
1	Wipe, alcohol

Contemporary Contents

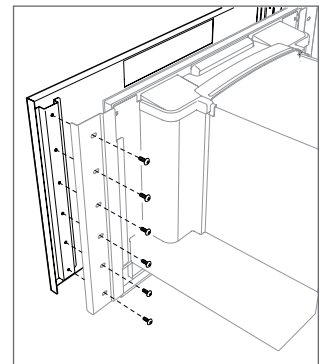
2	Trim
6	Screw
2	Bracket, side
1	Wipe, alcohol

INSTALLATION

- 1 To install side brackets, remove three existing screws from each side of the coffee system. Verify the bracket flanges are facing the front of the unit, then reinstall the screws to secure the brackets. The brackets are universal and can be used on either side.
- 2 Thoroughly clean the front of the coffee system using the alcohol wipe supplied and dry using a lint-free cloth.
- 3 Align the trim with the holes on each bracket and loosely secure with the supplied screws. The number of screws is dependent on the style of trim being installed. Verify the tabs for the tape are accessible from the front.
- 4 Remove the backing material from the tape and apply pressure to adhere the trim panel to the coffee system.
- 5 Secure the sides of the trim by tightening the screws in the side brackets. Do not overtighten as this may cause bowing or distortion of the trim.



Attach side brackets.



Attach Trim.

