



INSTALLATION INSTRUCTIONS FOR PART 95-82426

APPLICATIONS

Toyota Rav4 2013-up 95-82426

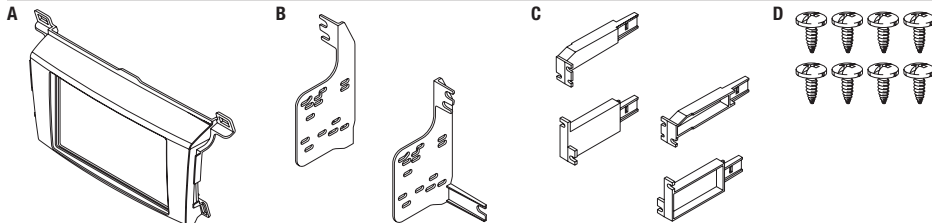
KIT FEATURES

- Double DIN radio provision
- *Painted gray to match factory finish*



KIT COMPONENTS

- A) Radio Trim Panel • B) Radio Brackets • C) (4) Clip legs • D) (8) #4 x 3/8" Phillips screws



WIRING & ANTENNA CONNECTIONS (sold separately)

- Wiring Harness: • 70-1761 Toyota Harness • TYT0-01 premium sound interface
 Antenna Adapter: • 40-LX11

Table of Contents

Dash Disassembly

- Toyota Rav4 2013-up..... 2

Kit Assembly

- Double DIN radio provision..... 3

TOOLS REQUIRED

- Panel removal tool • Phillips screwdriver
- Socket Wrench

CAUTION: *Metra recommends disconnecting the negative battery terminal before beginning any installation. All accessories, switches, and especially air bag indicator lights must be plugged in before reconnecting the battery or cycling the ignition.*

NOTE: *Refer to the instructions included with the aftermarket radio.*

REV. 7/22/2013 INST95-82426

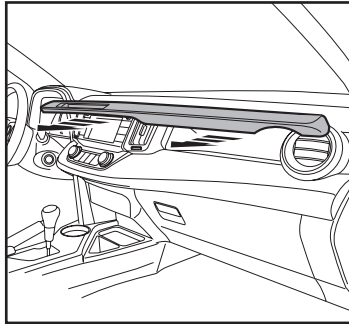


95-82426

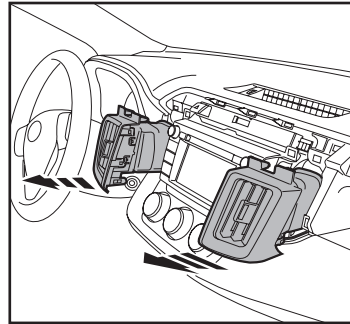
Dash Disassembly

Note: This vehicle is equipped with a vehicle customization menu in the radio. Use the factory radio screen to set these vehicle settings as desired prior to radio removal and they will stay as they were set.

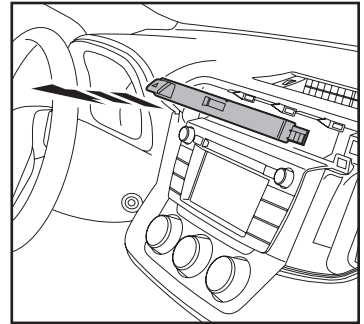
1. Unclip and remove the trim panel above the radio across the passenger side. (Figure A)
2. Unsnap and remove the vents from either side of the factory radio. (Figure B)
3. Unsnap the hazard/screen assembly above the factory radio and move aside (not necessary to unplug) (Figure C)
4. Remove (4) 10 mm bolts securing the factory radio.
5. Remove (4) clips from factory radio trim panel and save for kit assembly.



(Figure A)



(Figure B)



(Figure C)

Continue to kit assembly

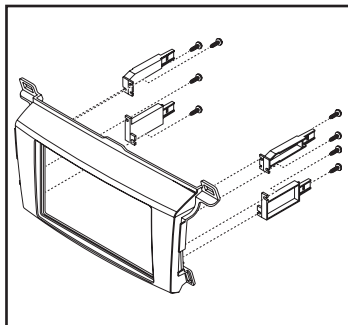


95-82426

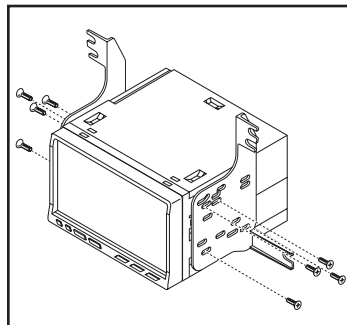
Kit Assembly

Double DIN radio provision

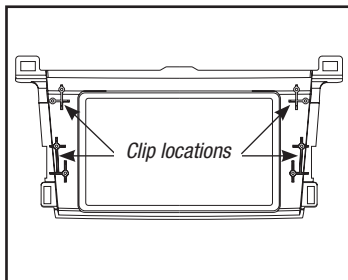
1. Mount the (4) panel clip legs to the radio trim panel with the provided (8) #4 Phillips screws. Attach the (4) factory panel clips to the legs. (Figure A)
2. Mount the aftermarket radio to the radio brackets using the screws supplied with the radio. (Figure B)
3. Locate the factory wiring harness in the dash. Metra recommends using the proper mating adapter from Metra or AXCESS. Test the unit for proper operation.
4. Mount the radio/bracket/trim panel assembly into the dash.
5. Snap the radio trim panel over the new radio and reassemble dash in reverse order of disassembly.



(Figure A)



(Figure B)





INSTALLATION INSTRUCTIONS FOR PART 95-8242G

REV. 7/22/2013 INST95-8242G



KNOWLEDGE IS POWER

Enhance your installation and fabrication skills by enrolling in the most recognized and respected mobile electronics school in our industry. Log onto www.installerinstitute.com or call 800-354-6782 for more information and take steps toward a better tomorrow.



Metra recommends MECP certified technicians