

# 24" C-SERIES REFRIGERATOR

**HC24RB-3** | 24" INDOOR MODEL

**HC24RO-3** | 24" OUTDOOR MODEL

**Perlick**<sup>®</sup>  
QUALITY & INNOVATION  
THAT **INSPIRES**



Indoor Glass Door Model



Outdoor Solid Door Model



Indoor Drawer Model



Intertek

## GENERAL C-SERIES FEATURES

- Zero-clearance hinging allows for abutment with surrounding cabinetry
- 525 Btu commercial-grade compressor
- Front-vented, RAPIDcool forced-air refrigeration system
- Commercial-grade stainless steel interior
- **Industry Exclusive** adjustable, full-extension pull-out shelves (drawer models excluded)
- Stainless-steel ball-bearing glides provide smooth movement of shelves; drawer models feature self-closing slides
- Low E, UV-coated glass provides industry leading insulation and protection.
- Digital temperature control
- Interior light
- Optional door locks and Industry-Exclusive drawer locks (factory installed)
- Stacking kit available
- Indoor and outdoor models available
- Also available - 24" Indoor Beverage Center, Wine Reserve and Beer Dispenser
- 5.2 cubic feet of capacity
- Industry Best Three Year Warranty plus additional three years on sealed system

## HC24RB/RO FEATURES

- Indoor models available with solid stainless steel door, solid wood overlay door, stainless steel glass door, wood overlay glass door, stainless steel drawers or wood overlay drawers
- Outdoor models available with solid stainless steel door, solid wood overlay door, stainless steel drawers or wood overlay drawers
- Indoor models have black vinyl-clad exterior
- Outdoor models have stainless steel exterior
- Door models include two (2) full-extension pull-out shelves
- Refrigerator rated for both food and beverage storage
- Storage for 144 cans
- Refrigerator temperature 33°- 42°F

Form No.HC24R-3  
Rev. 11.02.2017

## PRODUCT SPECIFICATIONS

<b>Overall Width</b>	23-7/8" (60.64 cm.)
<b>Overall Height</b>	34-1/4" (86.96 cm.)
<b>Overall Depth</b>	24" (60.96 cm.)
<b>Opening Width</b>	24" (60.96 cm.)
<b>Opening Height</b>	34-3/8" (87.31 cm.)
<b>Opening Depth</b>	24" (60.96 cm.)
<b>Refrigerated Volume</b>	5.2 cu. ft.
<b>Door Swing Clearance</b>	25" (63.5 cm.) minimum
<b>Electrical</b>	115V, 60Hz., 1 Phase, 2.3 amps
<b>Plumbing</b>	None Required
<b>Shipping Weight</b>	183 lbs (83.01 kg.)
<b>Annual Energy Consumption</b>	274 kWh (solid door) 305 kWh (glass door and drawers)

## INDOOR MODELS

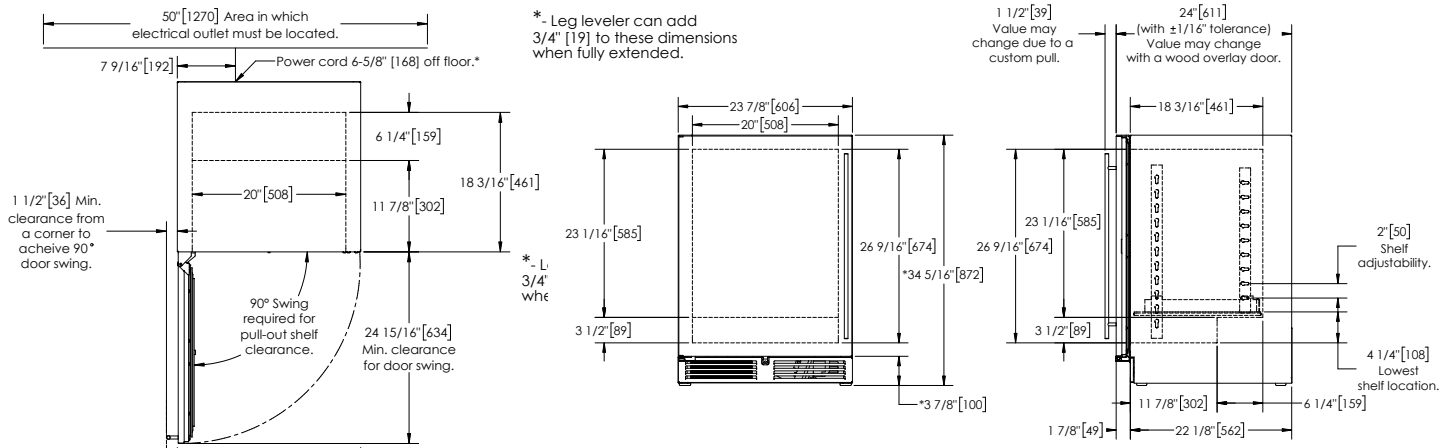
<b>HC24RB-3-1L*</b>	Solid stainless steel door, hinge left
<b>HC24RB-3-2L*</b>	Solid wood overlay door, hinge left
<b>HC24RB-3-3L*</b>	Stainless steel glass door, hinge left
<b>HC24RB-3-4L*</b>	Wood overlay glass door, hinge left
<b>HC24RB-3-5</b>	Stainless steel drawers
<b>HC24RB-3-6</b>	Wood overlay drawers

## OUTDOOR MODELS

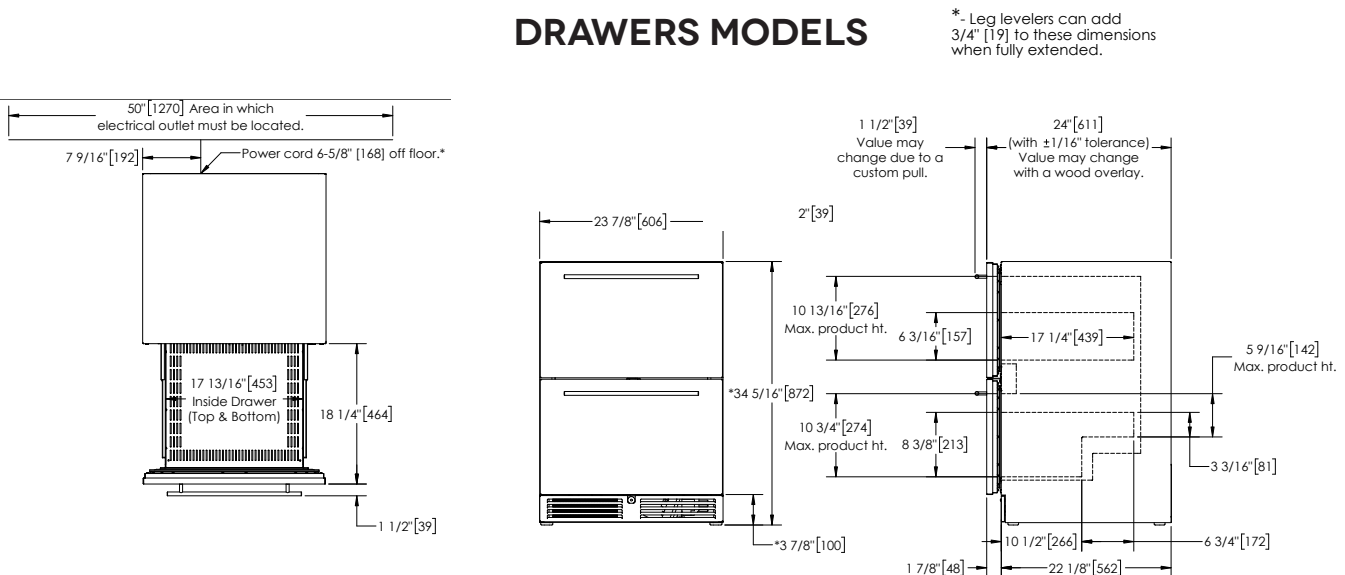
<b>HC24RO-3-1L*</b>	Solid stainless steel door, hinge left
<b>HC24RO-3-2L*</b>	Solid wood overlay door, hinge left
<b>HC24RO-3-5</b>	Stainless steel drawers
<b>HC24RO-3-6</b>	Wood overlay drawers

\* Also available hinge right

## DOOR MODELS



## DRAWERS MODELS



Form No.HC24R-3  
Rev. 11.02.2017