



BUILDER QUOTE PRODUCT PLANNING SPECS

Important: Information is preliminary and should be used for planning purposes only. Consult with your BSH Builder Sales rep or Thermador.com for final specifications.

T18ID900RP 18-INCH BUILT-IN FREEZER COLUMN WITH ICE & WATER DISPENSER

**FREEDOM® COLLECTION, PANEL-READY, RIGHT-HAND
DOOR SWING**

AVAILABLE OCTOBER 2017



Image shown is not final

ALSO AVAILABLE:

T18ID900LP – Left-Hand Door Swing

FEATURES & BENEFITS

- Freedom® Hinge enables true flush design
- Open Door Assist automatic door opening with just a slight push or a pull
- Energy Efficient Diamond Ice made with twist tray technology
- Smooth Filtered Lighting for clear and easy viewing of all product
- SoftClose® Drawers for easy and controlled storage
- Sleek clean design for the perfect symmetry when paired with additional columns
- TFT control panel managing all your columns functions

TEMPERATURE RANGES

Freezer	-9°F (-23°C) to 7°F (14°C)
Super Freeze	-9°F (-23°C) for approximately 52 hours

GENERAL PROPERTIES

Panel Ready	Yes
Reversible Door Swing	No
SoftClose® Drawers	Yes
Carbon Air Filter	No
Lighting	New Bar ALL LED Sidewall and Theater Lighting
Full Width / Adjustable Shelves	Yes / Yes
Freezer Shelves	4
Shelf Material	Glass w/Aluminum Profile
Full Extension Drawers @ 115° Door Opening Angle	Yes
Full Extension Drawers @ 90° Door Opening Angle	No
General Use Drawer	2
Door / Gallon Bins	0
External LED Proximity Sensor	Yes
Oversized Dispenser Opening	Yes
Chilled Water, Crushed and Cubed Ice	Yes
Rapid Water Replenishment System	Yes
Ice Maker with Diamond Ice System	Yes
Door Open Alarms	Yes
Open Door Assist	Yes
Special Modes	Yes

CAPACITY

Total Unit Gross Capacity (cu. ft.) – AHAM	7.8 cu. ft.
Freezer Gross Capacity (cu. ft.)	7.8 cu. ft.

TECHNICAL DETAILS

Watts (W)	444W
Current (A)	15 A
Volts (V)	120 V - 3 prong
Frequency (Hz)	60 Hz
Power Cord Length (in.)	139
Plug Type	120 V - 3 prong

DIMENSIONS & WEIGHT

Appliance Dimensions (H x W x D) (in.)	83 3/4" x 17 3/4" x 24"
Required Cutout Size (H x W x D) (in.)	84" x 18" x 25
Net / Gross Weight (lbs)	274 / 291 lbs

EFFICIENCY

ENERGY STAR® Qualified	Yes
Annual Energy Consumption	428

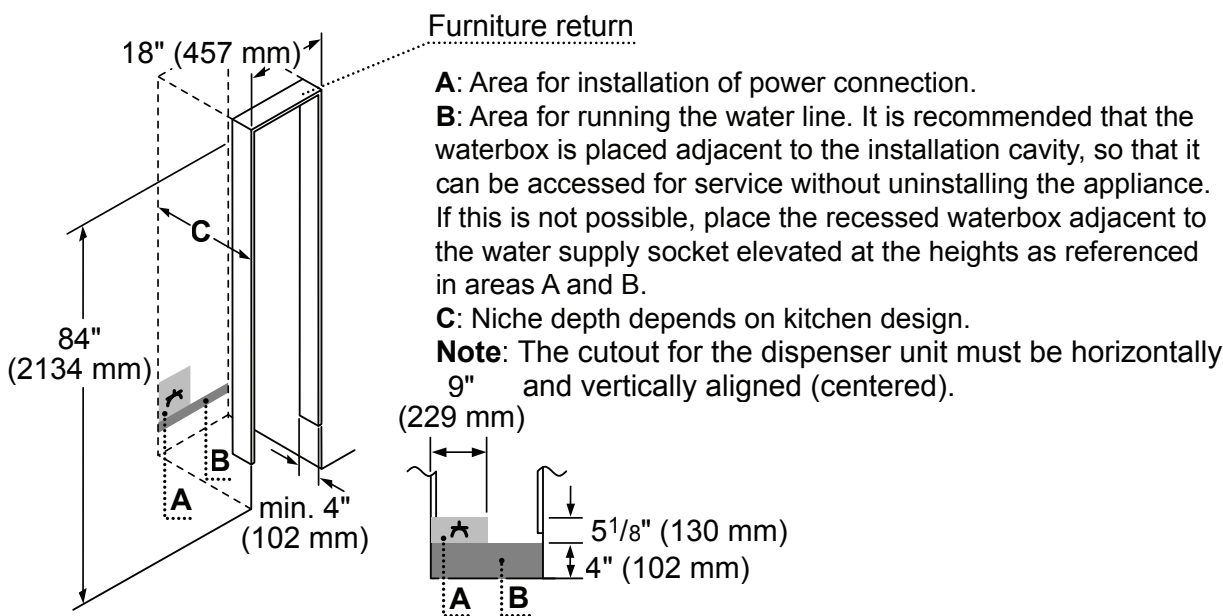
*Height adjustable + / -1/2" (+ / -13 mm)

**Sealed refrigeration system includes compressor, evaporator, condenser, dryer / strainer and connection tubing

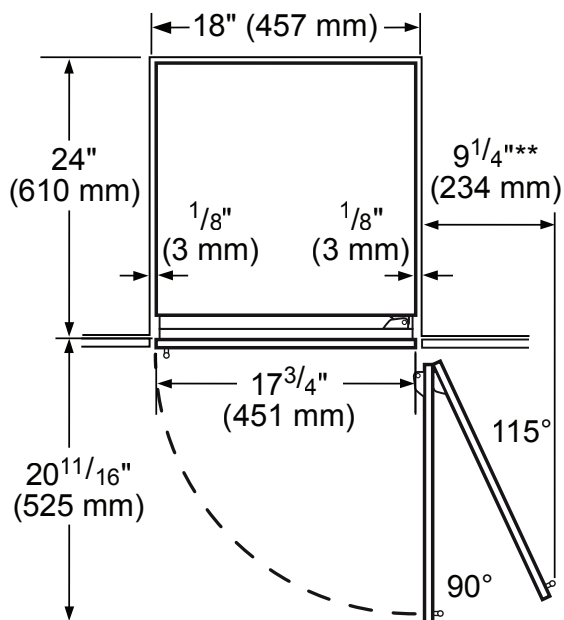
WARRANTY

Limited, Entire Appliance, Parts and Labor on Any Part of the Refrigerator that Fails Because of a Manufacturing Defect	2 Year
Limited Warranty for Sealed Refrigeration System*; Parts and Labor	3rd to 6th Year
Limited Warranty for Sealed Refrigeration System*; Parts Only	7th to 12th Year
Limited Warranty for Stainless Steel Rust-Through	Lifetime

CUTOUT DIMENSIONS

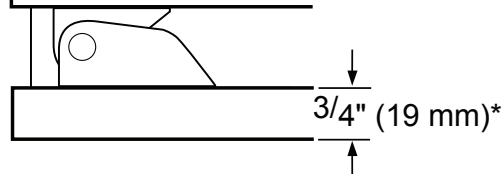


TOP VIEW CLEARANCE

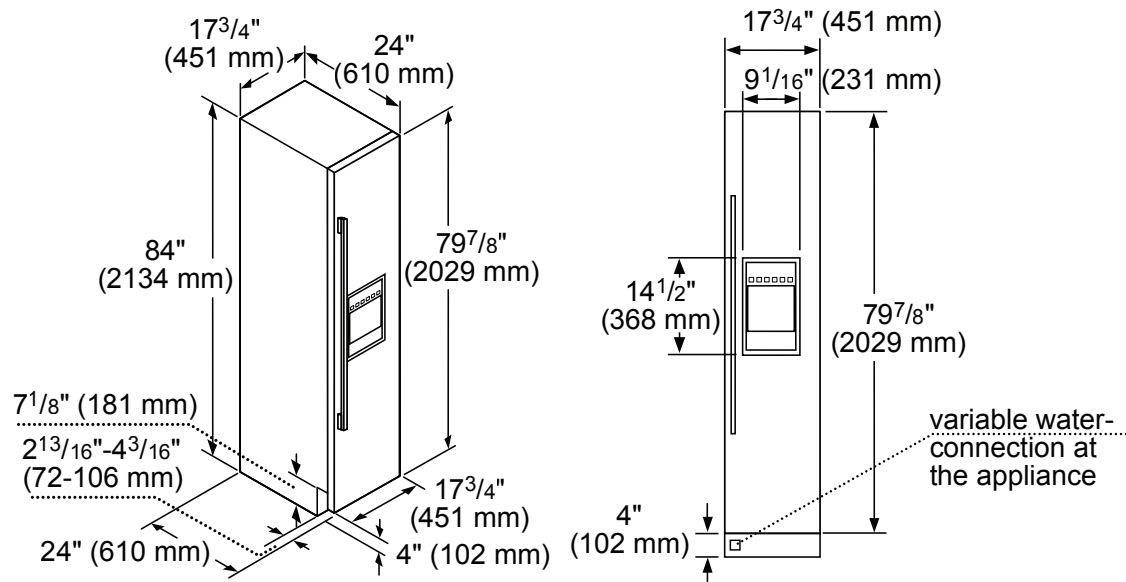


** Door handle must be added to this dimension

* Depends on the thickness of the furniture door. 3/4" (19 mm) is relevant for the stainless steel door. (special Accessory).



PANEL DIMENSIONS



These warranties give you specific legal rights and you may have other rights that vary from state to state. Full warranty and limited warranty from date of installation. For complete warranty details, refer to your Use & Care manual, or ask your dealer.

Specifications are for planning purposes only. Refer to installation instructions and consult your countertop supplier prior to making counter opening. Consult with a heating and ventilation engineer for your specific ventilation requirements. For the most detailed information, refer to installation instructions accompanying product or write to Thermador indicating the model number. Specifications are correct at time of printing. Thermador reserves the right to change product specifications or design without notice. Some models are certified for use in Canada. Thermador is not responsible for products that are transported from the U.S. for use in Canada.