



UNDERCOUNTER REFRIGERATED DRAWERS

Viking Professional 5 Series – VDUI/VDUO

PROFESSIONAL FEATURES

- Storage Capacity
 - Stores up to (130) 12-oz cans
- Dynamic Cooling Technology™ delivers rapid cooldown and the industry's best temperature stability
- Specially designed for a truly flush, zero clearance fit with adjoining cabinetry
- Integrated Controls provide precise temperature management from 34°F to 42°F
- Efficient white LED lighting
- Interior durably constructed from stainless steel, the most hygienic, easy-to-clean and stain-resistant of materials
- Insulated thermal-efficient cabinet and drawer fronts ensures optimum efficiency and preservation
- Close Door Assist System™ gently and automatically closes drawers
- Audible and visual alarm signals when drawer is left ajar to protect food integrity and energy use
- Vacation/Sabbath mode conserves energy during times when the unit is not in use and complies with Star-K requirements
- Height adjustment up to 1" with leveling legs



MODEL NUMBERS

- VDUI5240DSS – 24"W. Refrigerated Drawers (indoor unit)
- VDUO5240DSS – 24"W. Refrigerated Drawers (outdoor unit)

AGENCY-CERTIFIED OUTDOOR MODEL

- Insulated electrical terminals, sealed electrical contacts, and a water-resistant thermostat provide optimal performance in all weather elements
- Door lock
- Stainless steel kickplate

COLOR FINISHES

- Available in Stainless Steel (SS)

WARRANTY

- 2-year full covers complete unit
- 6-year full – sealed refrigeration system
- 90-day full – cosmetic parts such as glass, painted items, and decorative items
- 12-year limited – sealed refrigeration system



UNDERCOUNTER REFRIGERATED DRAWERS

Viking Professional 5 Series – VDUI/VDUO

24" W. UNDERCOUNTER/FREESTANDING REFRIGERATED DRAWERS

DESCRIPTION	VRUI/VRUO5240
Overall Width	23-7/8" (60.6 cm)
Overall Height	34-3/4" (95.9cm)
Overall Depth from Rear	To front of door – 23-23/32" (60.2 cm) To handle– 26-7/32" (66.6 cm) With door at 90° – 46-13/32" (117.9 cm)
Electrical Requirements	120V / 60Hz / 15A (5 ft. power cord attached to product)
Interior finish	Stainless Steel
Approximate Shipping Weight	160 lb. (72.6 kg)

Please do not prepare installation from brochure data only. See installation instructions for important clearance/installation information.

24" Rough-in Dimensions		
A	B	C
24" (61 cm)	34" to 35" (86.4 to 88.9 cm)	24" (61 cm)

Cabinet Dimensions		
D	E	F
23-7/8" (60.7 cm)	33-3/4" to 34-3/4" (85.7 to 88.3 cm)	23-23/32" (60.2 cm)
G	H	
26-7/32" (66.6 cm)	39-5/32" (99.5 cm)	

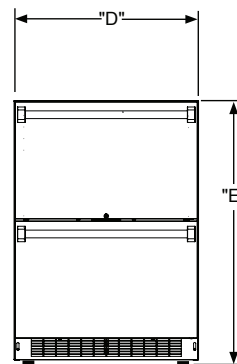
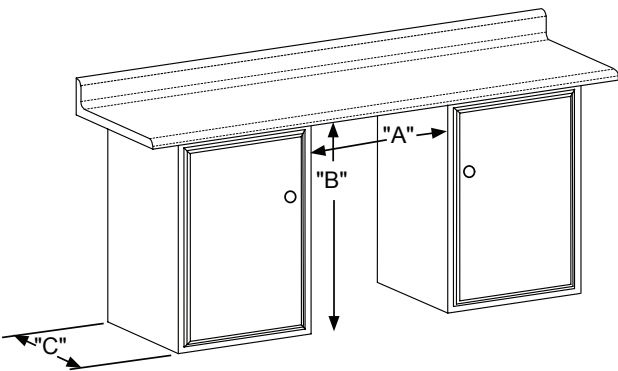
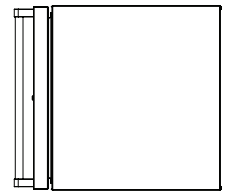
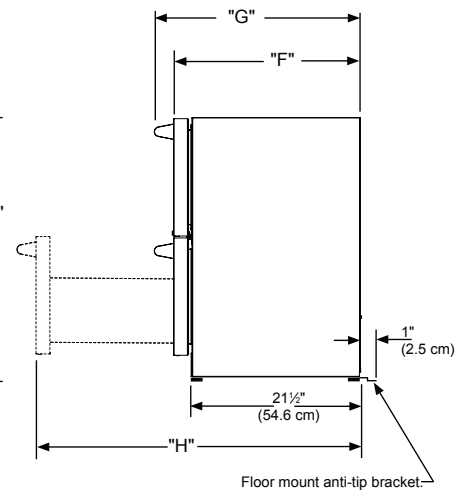


Figure 11



VIKING RANGE, LLC 111 FRONT STREET GREENWOOD, MISSISSIPPI 38930 USA

For detailed product information, model numbers, or to request a quote call 1-888-845-4641 or visit vikingrange.com
© 2016 Viking Range, LLC All rights reserved. Specifications subject to change without notice.