

Extended Height Grille for Built-In



## Extended Height Grille

### ⚠ WARNING

This design feature involves potentially hazardous elements consisting of large, heavy panels located overhead. It is the responsibility of the designer to specify panel support components suitable for this use and the installer to use proper workmanship during construction. Sub-Zero cannot be liable for custom applications beyond its control.

**IMPORTANT NOTE:** Throughout this guide, dimensions in parentheses are millimeters unless otherwise specified.

### FLUSH INSET

All built-in flush inset models have the option of extending the height of the decorative grille panel. This application is used when the kitchen design calls for a decorative panel taller than the standard grille for an 84" (2134) finished height or the optional grille for an 88" (2235) finished height. With an extended height grille panel, the finished height of the unit can be 88" (2235) or more to match surrounding cabinetry.

The decorative grille panel and support hinges are provided by the customer. The factory-supplied grille frame is fitted with a functional panel that serves as an air baffle. The grille frame also acts as a support to hold the decorative panel open for condenser cleaning, water filter replacement and service.

Decorative panel and grille frame are supported by two separate hinge systems and are only connected by a cleat when open and a catch when closed.



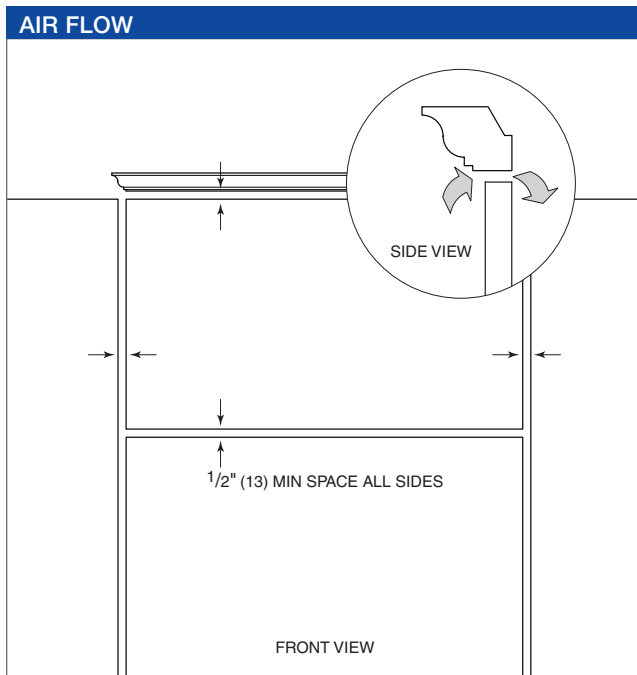
## Built-In Design



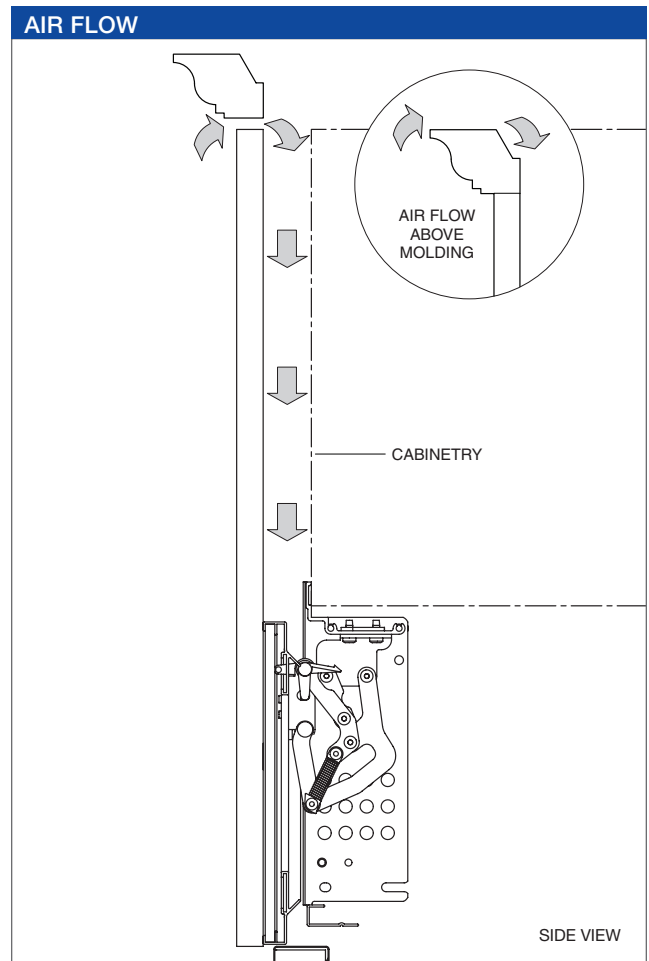
### FLUSH INSET PANELS

To blend in more seamlessly with surrounding cabinetry, panels can be flush inset. This design option allows for custom grille and door panels to be completely flush with surrounding cabinetry.

Air Flow Requirements



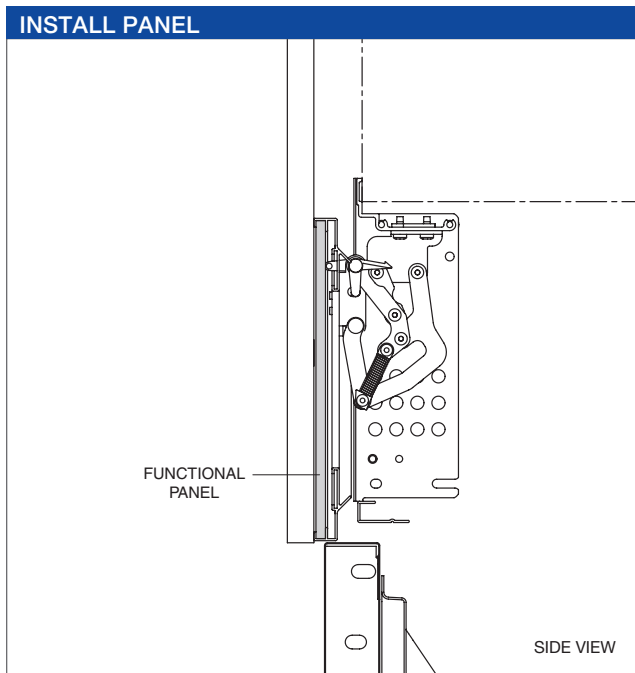
Allow for at least 1/2" (13) space on all four sides of the grille panel for proper air flow to the refrigeration system. For flush inset models, this is around the sides, top and bottom of the decorative grille panel.



Space must be maintained between decorative grille panel and surrounding cabinetry for air flow.

**IMPORTANT NOTE:** If space is not provided directly above the top of the grille panel, it must be provided above the upper molding of the elevation as shown in the inset illustration.

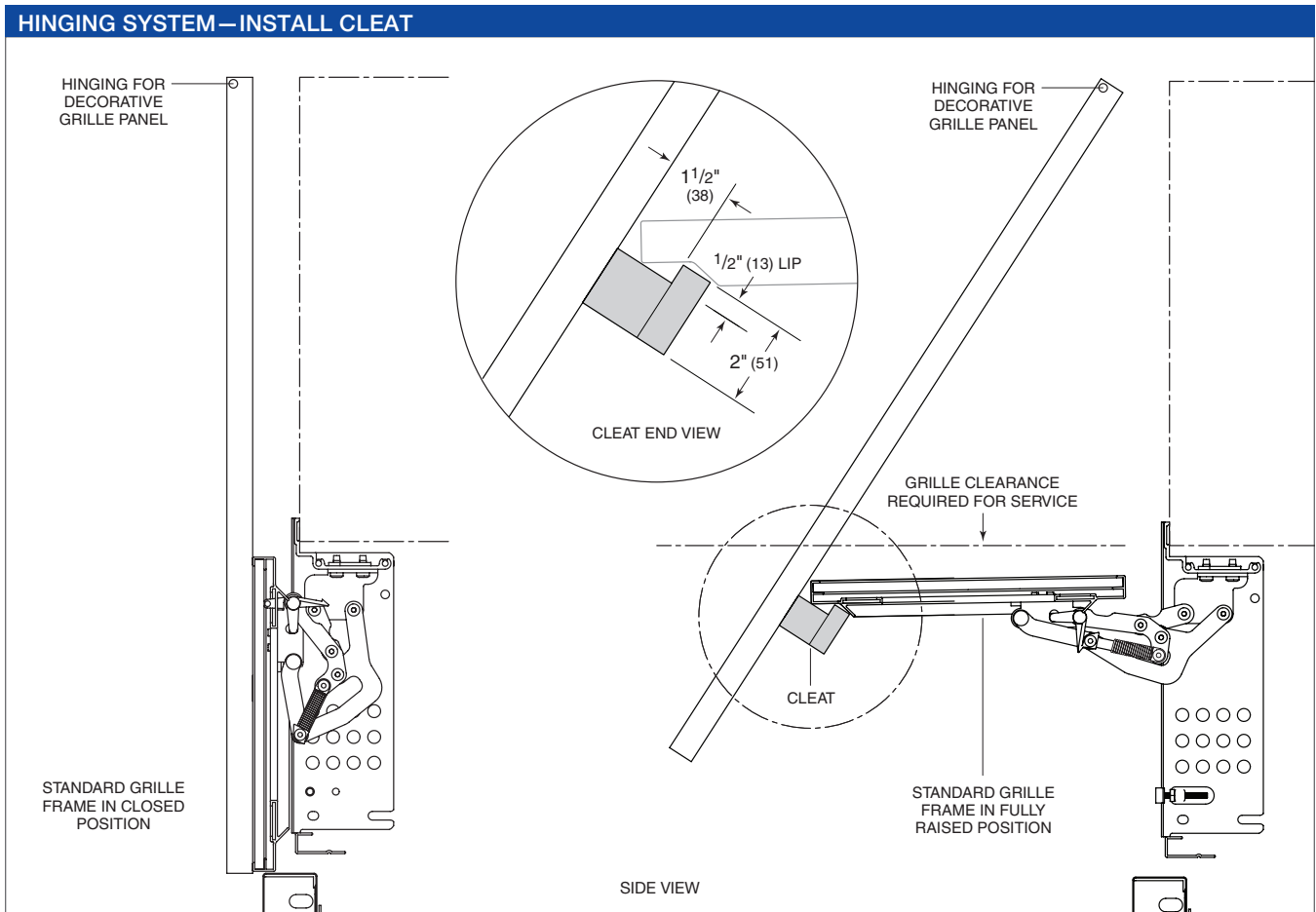
## Air Flow Requirements



A 1/4" (6) thick functional panel must be installed in the inner grille frame (the part that flips up) to prevent warm air discharge from short-circuiting back into the system.

Use sizing for the 'backer panel' found in the panel configurator or Sub-Zero design guide.

Grille Hinging System



Specify the customer-supplied hinging system consistent with cabinetry and with sufficient capacity for the weight of the decorative grille panel.

**IMPORTANT NOTE:** In the event that refrigeration components must be removed for service, the standard grille frame will need to be removed first for sufficient access to the machine compartment. To avoid an unsupported load, the decorative panel will need to be removed from the cabinetry first.

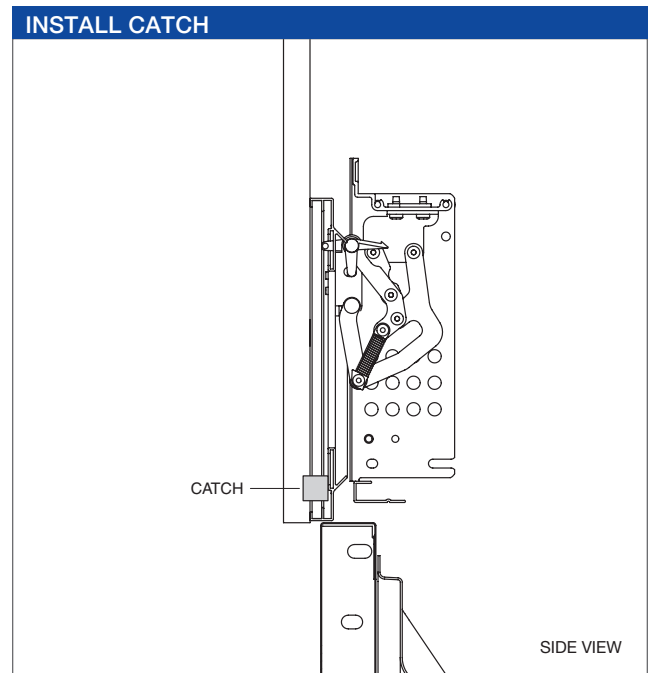
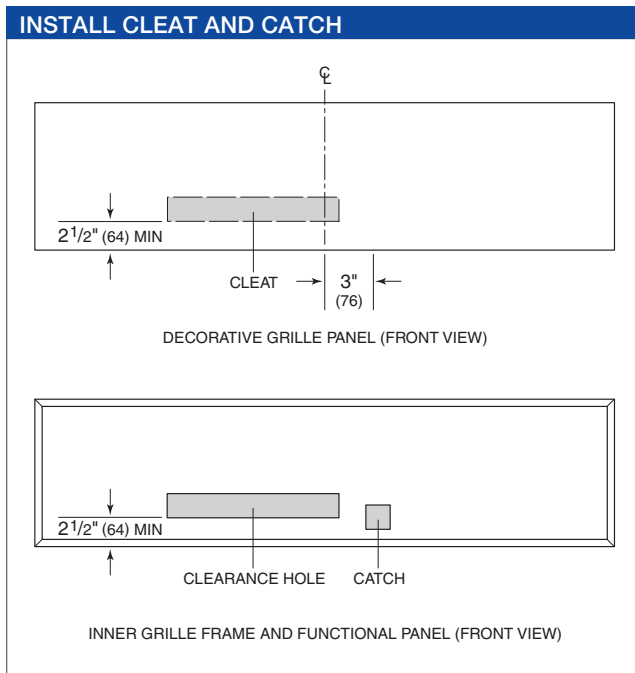
Field install a cleat to the back side of the decorative grille panel to hold the flip-up inner grille frame in position when it is raised. Follow dimensions in the inset illustration for the 10" (254) long cleat. For location of the cleat, also refer to the illustration on the following page.

**CAUTION**

The cleat must include a lip as shown, to prevent unintentional separation of decorative grille panel and grill frame.

For a dual installation, use two cleats.

## Grille Hinging System



The cleat must be located to the left of a line 3" (76) to the right of the center of the built-in unit, to clear the system fan shroud.

Cut a rectangular clearance hole in the functional grille panel to allow the cleat to extend through when the decorative grille panel is closed.

Install a customer-supplied catch between the back of the decorative grille panel and the functional grille panel to prevent noise caused by vibration.

Depending on the design and size of the catch, it will need to be recessed into the functional grille panel and maybe partially into the decorative grille panel.



SUB-ZERO, INC. P. O. BOX 44848 MADISON, WI 53744 SUBZERO.COM 800.222.7820

8/2014