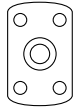


HEAVY DUTY PULL-OUT SHELF - PS2

Parts

- 1 - Shelf Assembly
- 1 - Hinge Side Slide
- 1 - Non-Hinged Side Slide

4x
Flat Nut
small



If preferred, flat nuts can be used in place of drop-in nuts if cabinet is disassembled.

C-FRAME /
CHAMELEON
4x
Connector Bolt
3/8"



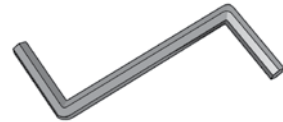
SYNERGY
4x
Connector Bolt
1/2"



UNIVERSAL
4x
Drop-in Nut



1x
Z - Hex Key



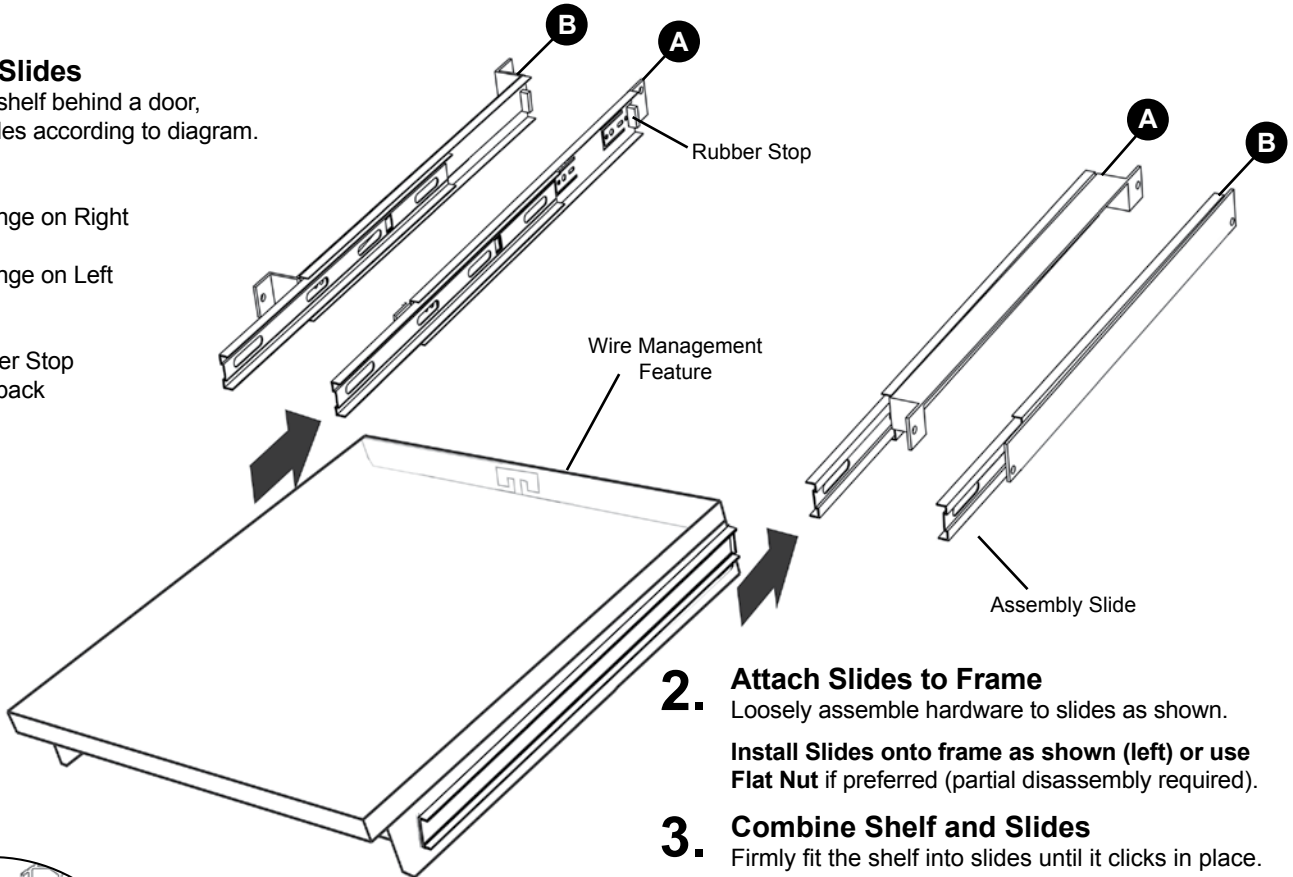
1. Arrange Slides

If installing shelf behind a door, arrange slides according to diagram.

A Door Hinge on Right

B Door Hinge on Left

Note: Rubber Stop
Position at back



2. Attach Slides to Frame

Loosely assemble hardware to slides as shown.

Install Slides onto frame as shown (left) or use Flat Nut if preferred (partial disassembly required).

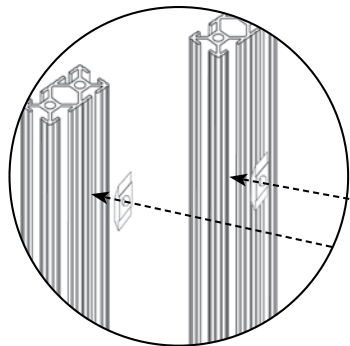
3. Combine Shelf and Slides

Firmly fit the shelf into slides until it clicks in place.

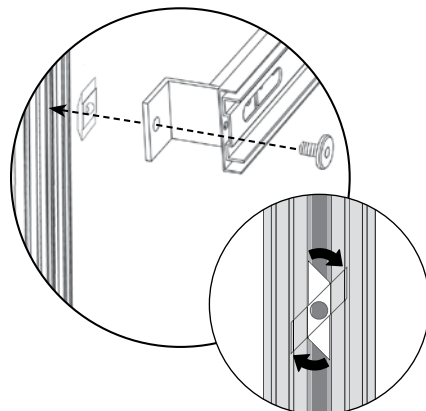
4. Adjust Position and Level

Use a box, bowl, or other object placed underneath the shelf to keep level while tightening the four bolts.

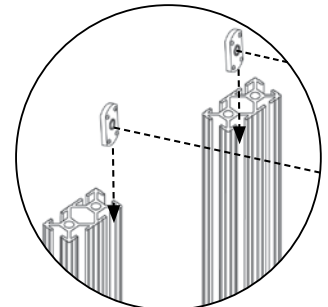
Be sure drop in nuts rotate in t-slot when tightened. Use a level to align pull out shelf at desired position and secure slides in place using hex key.



• For Chameleon Cabinets use the inner slots closest to the center of cabinet.



Optional Installation using flat-nut shown at right. (Cabinet needs partial disassembly for installation).



Limited Warranty

Five full years Salamander Designs Ltd will repair or replace, at our option, any product defective in materials or craftsmanship. Salamander Designs Ltd. will not be responsible for any damage to or destruction of other equipment consequential to our equipment failure. Defective product must be given Return Authorization and is to be returned to the factory prepaid, in the original carton and packing material. Any damage incurred in a shipment not in original packaging shall be the responsibility of the owner. Warranty repairs will be returned prepaid, via UPS within the continental U.S.A. only.