

ID-30F



FEATURES

Ready to be fitted with custom panels and handles to blend with cabinetry

Smart-touch controls for streamlined access to more settings

Soft-close doors and drawers

Soft-on LED lights for varying degrees of brightness

Rigorously tested in our U.S. manufacturing facilities to ensure decades of use

Exceptional 24/7 support from Madison, WI-based Customer Care team

ACCESSORIES

Dual Installation Kit

Stainless Steel 30" Drawer Panels with Tubular Handles

Stainless Steel 30" Drawer Panels with Pro Handles

Stainless steel front panels with tubular or pro handles

Stainless steel kickplate

Stainless steel pro handles

Stainless steel tubular handles

Accessories are available through an authorized Sub-Zero dealer.
For local dealer information, visit subzero-wolf.com/locator.



HANDLE ACCESSORIES

PRO



TUBULAR



PRODUCT DETAILS

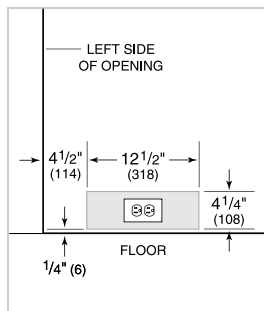
FREEZER

- Adjustable drawer dividers

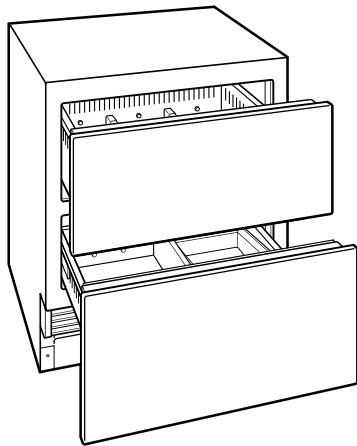
PRODUCT SPECIFICATIONS

| | |
|--------------------|--------------------------|
| Model | ID-30F |
| Dimensions | 30"W x 34 1/2"H x 24"D |
| Drawer Clearance | 18 3/8" |
| Weight | 210 lbs |
| Freezer Capacity | 4.9 cu. ft. |
| Electrical Supply | 115 VAC, 60 Hz |
| Electrical Service | 15 amp dedicated circuit |
| Receptacle | 3-prong grounding-type |

ELECTRICAL

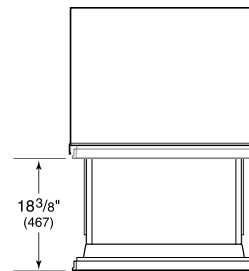
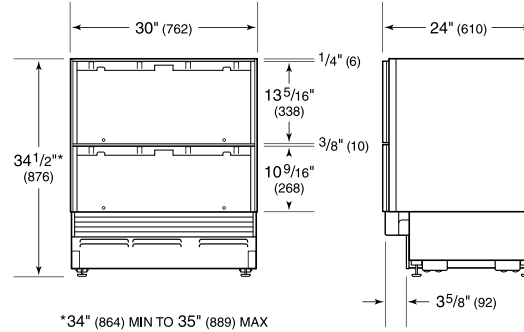


INTERIOR VIEW

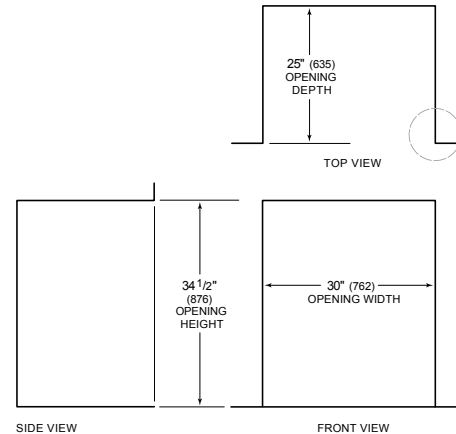


This illustration is intended for interior reference only and may not represent the exterior of the model being specified.

DIMENSIONS



STANDARD INSTALLATION



NOTE: 3 1/2" (89) finished returns will be visible and should be finished to match cabinetry

