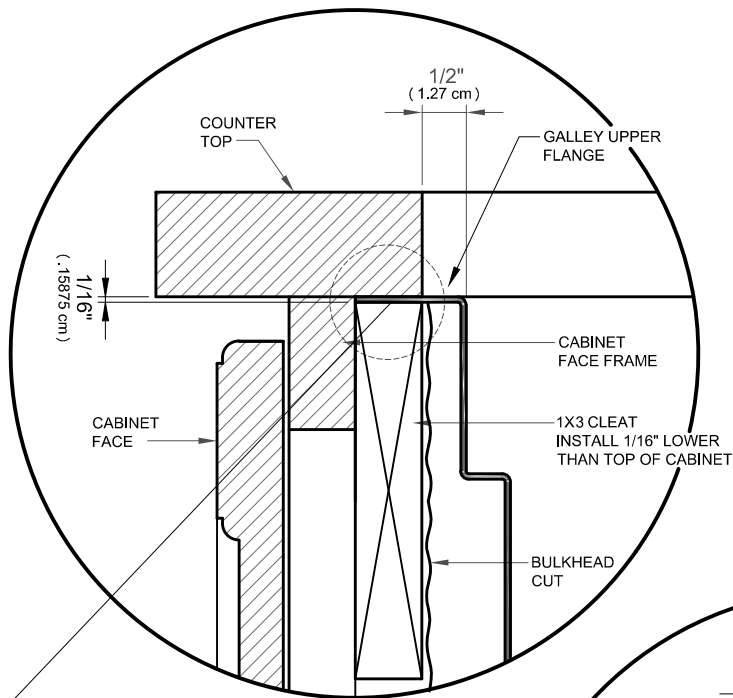


INSTALLATION AND COUNTERTOP CUTOUT DETAIL
 SHEET 1 OF 2

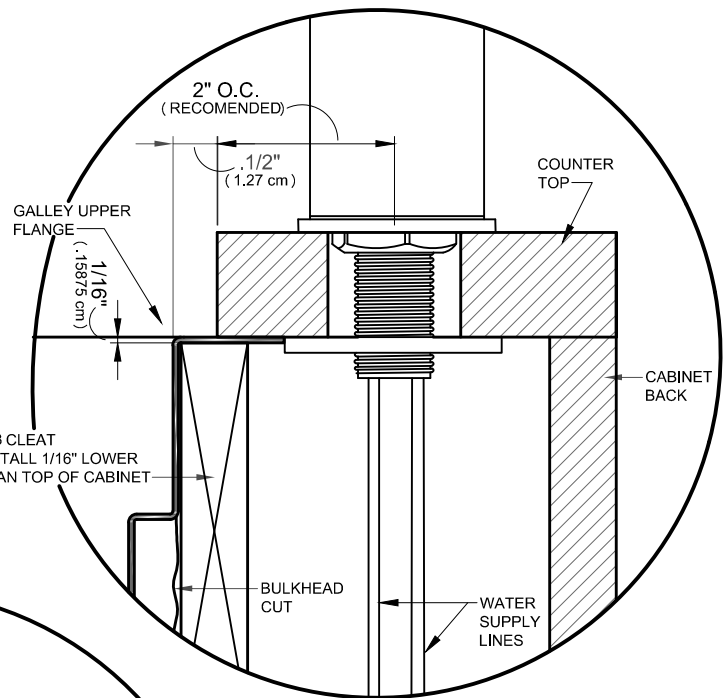
STAINLESS STEEL COMPLIANCE ASME A112.19.3-2008/CSA B45.4-08

WE RESERVE THE RIGHT TO MAKE REVISIONS WITHOUT NOTICE IN THE DESIGN OF PRODUCTS OR IN PACKAGING UNLESS THIS RIGHT HAS SPECIFICALLY BEEN WAIVED AT THE TIME THE ORDER IS ACCEPTED.

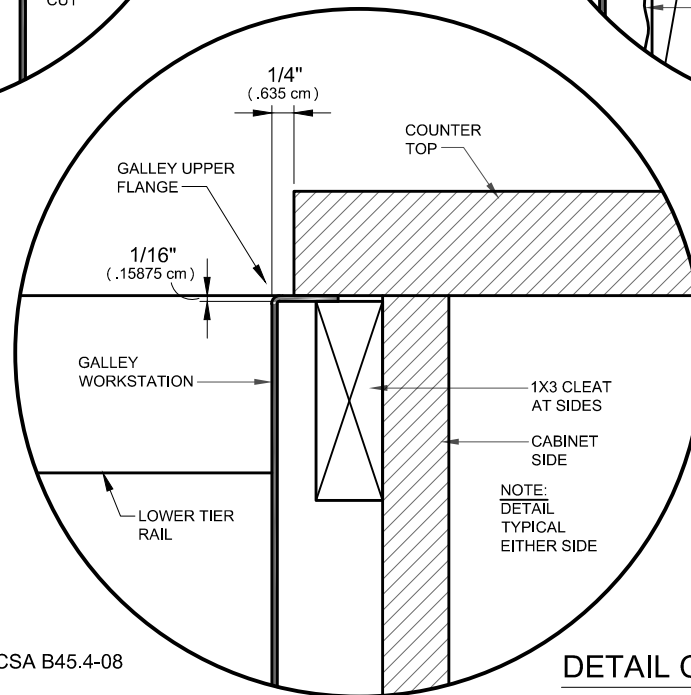
IWS-4-S
 SINGLE BOWL



DETAIL A
 1/2 HALF FULL SIZE



DETAIL B
 1/2 HALF FULL SIZE



DETAIL C
 1/2 HALF FULL SIZE

FOR A SILICONE-FREE FLANGE:

1. COVER WHAT WILL BE THE EXPOSED 1/2" OF TOP FLANGE WITH TAPE.
2. APPLY A HEAVY BEAD OF SILICONE TO THE UN-TAPED PART OF THE FLANGE.
3. SET THE COUNTERTOP, PRESS DOWN ONTO THE FLANGE. SILICONE SHOULD FILL ANY GAPS.
4. MIX 1oz. OF CLEAR DISH SOAP PER 10oz. OF WATER AND, USING SPRAY BOTTLE, SPRAY ENTIRE FLANGE AND WIPE CLEAN.
5. REMOVE TAPE

INSTALLATION AND COUNTERTOP CUTOUT DETAIL
 SHEET 2 OF 2

STAINLESS STEEL COMPLIANCE ASME A112.19.3-2008/CSA B45.4-08

WE RESERVE THE RIGHT TO MAKE REVISIONS WITHOUT NOTICE IN THE DESIGN OF PRODUCTS OR IN PACKAGING UNLESS THIS RIGHT HAS SPECIFICALLY BEEN WAIVED AT THE TIME THE ORDER IS ACCEPTED.

IWS-4-S
 SINGLE BOWL

THE GALLEY
 REINVENT YOUR KITCHEN

THEGALLEY.COM