



UNDERCOUNTER REFRIGERATOR

Viking Professional 5 Series – VRUI/VRUO

PROFESSIONAL FEATURES

- Storage Capacity
 - Stores up to 20 wine bottles total (7 flat)
 - Stores up to (162) 12-oz cans
- Dynamic Cooling Technology™ delivers rapid cool down and the industry's best temperature stability
- Slide out convertible shelf—beverage storage or wine rack configurations with stainless shelf front
- Integrated controls provide precise temperature management from 34°F to 42°F
- Two-stage, soft blue theatre-style LED lighting and sophisticated midnight black interior
- Smooth-glide clear utility bin provides maximum volume to effectively store large, bulky or loose items
- Thermal-efficient cabinet ensures optimum food preservation and energy efficiency while maximizing capacity
- Tinted, UV-resistant dual pane glass door protects wine from damaging ultra-violet light
- Audible and visual alarms signal when door is left ajar to protect food integrity
- Vacation/Sabbath mode conserves energy during times when the unit is not in use and complies with Star-K requirements
- Height adjustment up to 1" with leveling legs
- Storage Configuration
 - (1) full-width and roll out
 - (1) half-width cantilevered, fully adjustable black powder coated steel-framed glass shelf
 - (1) fixed black steel-framed glass shelf
 - (1) MaxStore™ Utility Bin



AGENCY-CERTIFIED OUTDOOR MODEL

- Insulated electrical terminals, sealed electrical contacts, and a water-resistant thermostat provide optimal performance in all weather elements
- Solid Stainless Steel door with door lock
- Stainless steel kickplate

MODEL NUMBERS

- VRUI5240G(R/L)SS – 24"W. Undercounter Refrigerator (indoor unit) – Glass door
- VRUO5240D(R/L)SS – 24"W. Undercounter Refrigerator (outdoor unit) – Solid door

DESIGN OPTIONS

- Order as right or left hinge

COLOR FINISHES

- Available in Stainless Steel (SS)

WARRANTY

- 2-year full covers complete unit
- 6-year full – sealed refrigeration system
- 90-day full – cosmetic parts such as glass, painted items, and decorative items
- 12-year limited – sealed refrigeration system



UNDERCOUNTER REFRIGERATOR

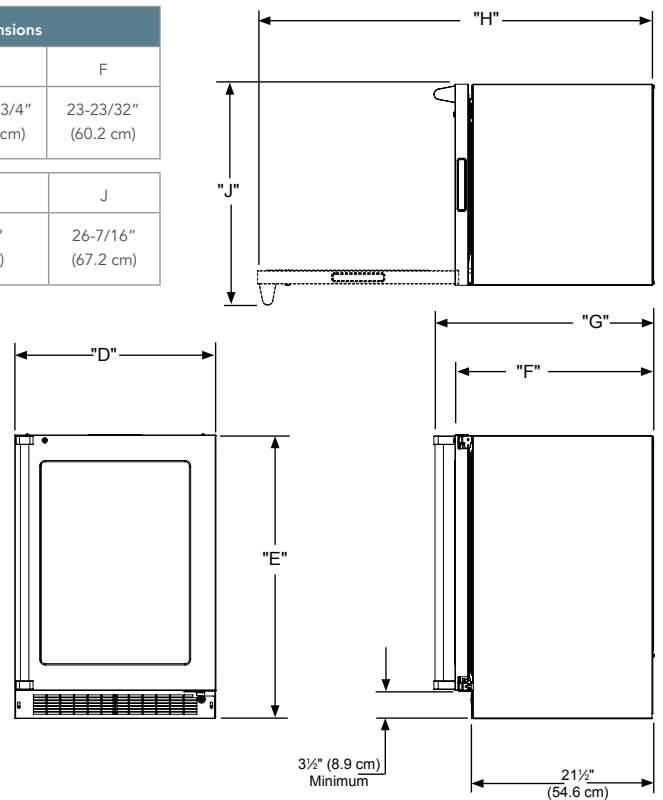
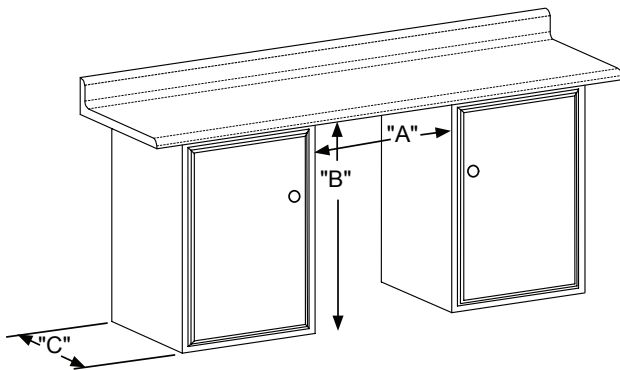
Viking Professional 5 Series – VRUI/VRUO

24" W. UNDERCOUNTER/FREESTANDING REFRIGERATOR	
DESCRIPTION	VRUI/VRUO5240
Overall Width	23-7/8" (60.6 cm)
Overall Height	34-3/4" (95.9cm)
Overall Depth from Rear	To front of door – 23-23/32" (60.2 cm) To handle– 26-7/32" (66.6 cm) With door at 90° – 46-13/32" (117.9 cm)
Electrical Requirements	120V / 60Hz / 15A (5 ft. power cord attached to product)
Maximum Amp Usage	3.0 amps
Maximum Storage Capacity	5.3 cu. ft.
Interior finish	Black
Approximate Shipping Weight	160 lb. (72.6 kg)

Please do not prepare installation from brochure data only. See installation instructions for important clearance/installation information.

24" Rough-in Dimensions		
A	B	C
24" (61 cm)	34" to 35" (86.4 to 88.9 cm)	24" (61 cm)

Cabinet Dimensions		
D	E	F
23-7/8" (60.7 cm)	33-3/4" to 34-3/4" (85.7 to 88.3 cm)	23-23/32" (60.2 cm)
G	H	J
26-7/32" (66.6 cm)	461-3/32" (117.9 cm)	26-7/16" (67.2 cm)



VIKING RANGE, LLC 111 FRONT STREET GREENWOOD, MISSISSIPPI 38930 USA

For detailed product information, model numbers, or to request a quote call 1-888-845-4641 or visit vikingrange.com
© 2014 Viking Range, LLC All rights reserved. Specifications subject to change without notice.