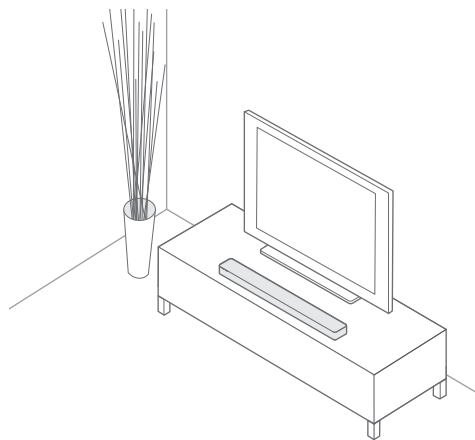


QUICK START GUIDE • GUÍA DE INICIO RÁPIDO • GUIDE DE DÉMARRAGE RAPIDE

BOSE[®]

Please read and keep all safety and use instructions. • Lea y conserve todas las instrucciones de uso y seguridad. • Lisez toutes les consignes de sécurité et les instructions d'utilisation, et conservez-les en lieu sûr.

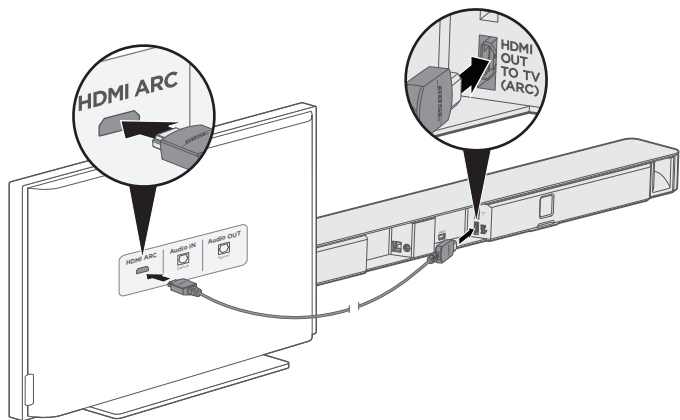
1



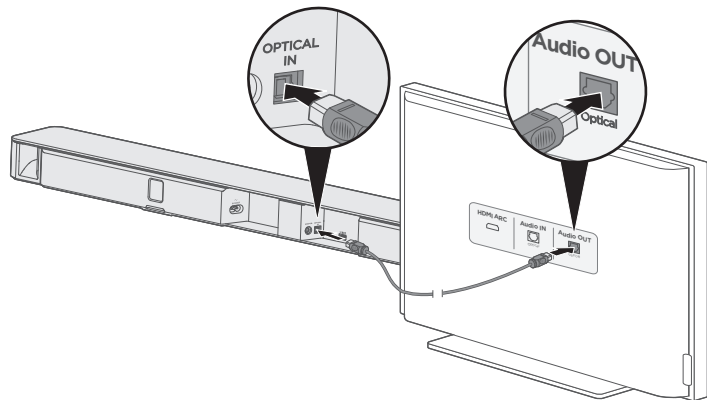
Place the soundbar

Keep at least 1 - 3 ft. (0.3 - 0.9 m) away from other wireless equipment.

2



OR



Choose an audio cable

Option 1 (Preferred): HDMI™ ARC

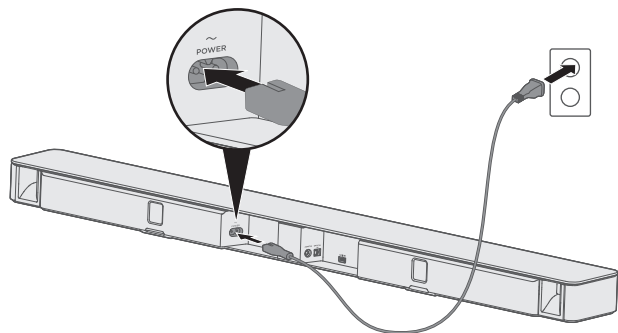
If your TV has an HDMI™ ARC connector, connect the HDMI cable to your TV's **HDMI ARC** connector and the soundbar's **HDMI OUT TO TV (ARC)** connector.

Tip: You may need to enable CEC in your TV's system menu to hear audio from the HDMI ARC connector. Your TV may refer to CEC by a different name.

Option 2: Optical

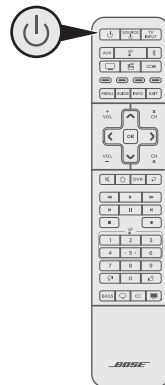
If your TV doesn't have an HDMI ARC connector, connect the optical cable to your TV's **Optical OUT** connector and the soundbar's **OPTICAL IN** connector.

3




Connect to power

4

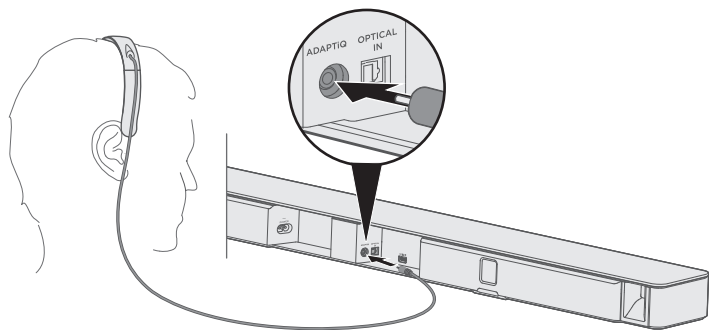


Power on the soundbar

On the remote control, press .
The soundbar powers on.

NOTE: If you hear distorted audio, turn off your TV's speakers (refer to your TV owner's guide).

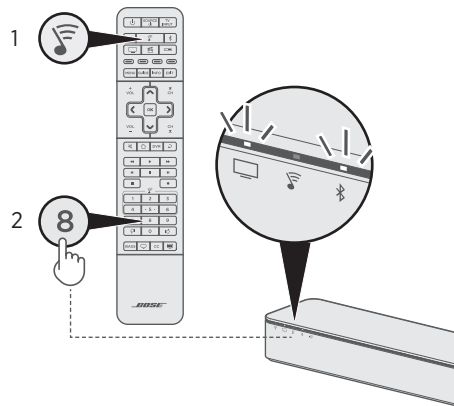
5





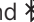
Set up ADAPTiQ® audio calibration



1. Put on the ADAPTiQ® headset.
2. Plug the headset into the soundbar.

6



Run ADAPTiQ® audio calibration

1. On the remote control, press .
2. Press and hold **8** until  and  on the soundbar glow green.

NOTE: To cycle through languages, press  and  on the navigation pad.

7



Download the SoundTouch® Controller app*

Download the app to play streaming music, set Presets and access music services through the soundbar.

*If using a computer go to global.Bose.com/Support/ST300 to download the app.

8



Program the remote control

Refer to the Universal Remote Control Setup Guide (provided) for instructions on programming and using the remote to control your sources.

Have questions? global.Bose.com/Support/ST300



global.bose.com/Support/ST300



773957-0010

BOSE[®]
Better sound through research[®]

©2016 Bose Corporation, The Mountain,
Framingham, MA, 01701-9168 USA
AM773957 Rev. 00