

ELECTRIC OVEN AND MICROWAVE COMBOS/GAS WALL OVENS

WALL OVEN FEATURES & SPECIFICATIONS							
MODEL #	ELECTRIC OVEN/MICROWAVE COMBOS						GAS WALL OVEN***
	27"		30"		30"		
	JMW 8527DA	JMW 9527DA	JMW 8130DA	JMW 8530DA	JMW 9130DA	JMW 9530DA	
Overall Height (in)	52 1/16	52 1/16	47 7/8	52 1/16	47 7/8	52 1/16	34 1/16
Overall Width (in)	26 3/4	26 3/4	29 3/4	29 3/4	29 3/4	29 3/4	30 1/4
Overall Depth* (in)	25 1/2	25 1/2	24 1/16	25 1/2	24 1/16	25 1/2	25
Cutout Height (in)	51 1/8	51 1/8	47 1/16	51 1/8	47 1/16	51 1/8	33 1/16
Cutout Width (in)	25 1/2	25 1/2	28 1/2	28 1/2	28 1/2	28 1/2	30 3/16
Cutout Depth (in)	24 min.	24 min.	24	24 min.	24	24 min.	24 min.
Oven Interior Height** (in)	14 3/4	14 3/4	15	16 1/2	15	16 1/2	16 1/2
Oven Interior Width** (in)	21	21	23 1/2	23	23 1/2	23	23
Oven Interior Depth** (in)	18 1/2	18 1/2	18 1/2	18 3/8	18 1/2	18 3/8	18 1/4
Oven Capacity** (cu. ft.)	3.3	3.3	3.8	4.0	3.8	4.0	4.0
Total Connected Load-KW@240V (see chart below)	6.6	6.6	6.6	6.6	6.6	6.6	
BTUs (Oven) Natural/LP							18,000/18,000
BTUs (Broiler) Natural/LP							13,000/13,000
Jenn-Air Platinum Warranty	•	•	•	•	•	•	•
<b>Oven Features</b>							
Two-Speed Convection with Convection Element		•			•	•	
MultiMode® Convection <sup>a</sup>		•				•	
Two-Mode Convection (Convect Bake/Convect Roast)					•		
Bake/Broil Oven with Variable Temperature Broiling	•	•	•	•	•	•	•
Hidden Bake Element/Burner	•	•		•		•	•
6-Pass™ Broil Element			•		•		
8-Pass Recessed Broil Element				•		•	
8-Pass Semi-Recessed Broil Element	•	•					
Closed-Door Broiling	•	•		•		•	
Porcelain Broil Pan	•	•	•	•	•	•	•
CustomClean™ Self-Cleaning w/ Automatic Lock	•	•	•	•	•	•	•
Heavy-Duty Oven Racks <sup>b</sup>	2L	3L	2L	2L	3L	3L	2
Create-A-Space™ Half-Rack		•			•	•	
Microwave Oven <sup>c</sup>	U	U	U	U	U	U	
Automatic Light	•	•	•	•	•	•	•
Electronic Pilotless Ignition							•
Convertible to LP Gas							•
<b>Control Features</b>							
Smart Touch Electronic Controls with Prompts	•	•		•		•	
Electronic Controls			•		•		•
Electronic Clock with Timer(s)	2 Timers	2 Timers	1 Timer	2 Timers	1 Timer	2 Timers	1 Timer
Automatic Convection Conversion <sup>d</sup>		•			•	•	
Favorite Settings Memory Option <sup>e</sup>	•	•	•	•	•	•	•
Cook & Hold Option <sup>f</sup>	•	•	•	•	•	•	•
Delay Start Cooking and Cleaning	•	•	•	•	•	•	•
Bread Proofing Feature <sup>g</sup>		•			•	•	
Keep Warm Feature	•	•	•	•	•	•	•
Food Temperature Probe		L				L	
Control Lockout	•	•	•	•	•	•	•
Control Setup Options <sup>h</sup>	•	•		•		•	
Sabbath Mode	•	•	•	•	•	•	•
<b>Exterior Features</b>							
Stylish Frameless Curved Design	•	•		•		•	
Flush-to-the Cabinet Design	•	•	•	•	•	•	•
Floating Glass-Front Door	•	•		•		•	
Extra-Large Panaview™ Window	•	•	•	•	•	•	•
Stainless Steel Towel Bar Door Handle	•	•		•		•	
Contoured Towel Bar Handle <sup>i</sup>			•		•		•
Color Indicators (add to end of model number) B=Black, W=White, Q=Bisque, S=Stainless Steel	B,W,Q,S	B,W,S	B,W,S	B,W,Q,S	B,W,S	B,W,S	B,W
Available in Canada							•
Approximate Shipping Weight (lbs./kg)	253 / 115	255 / 116	186/84	263 / 119	186/84	265/ 120	198 / 90

- U=Upper, L=Lower, B=Both
- Feature Included
- \* Excluding oven door handle. Add approximately 2 1/4" for door handle.
- \*\* Lower oven cavity on combination ovens
- A. MultiMode® convection selections include Convect Bake, Convect Roast, Convect Broil and Convect Pastry. Convection air is also used with the Drying and Thaw & Serve options. Oven model JMW9130DD also has a drying option. For drying, an optional high-quality mesh drying rack is available as an accessory. Order model #DRYINGRACK.
- B. Oven models JMW8527DD and JMW8530DD have one EasyRack™ oven rack and one offset rack. Oven model JMW9527DD has one EasyRack™ oven rack, one offset rack and one Create-A-Space™ half rack. Oven model JMW8130DD has two standard oven racks. Oven model JMW9130DD has two standard oven racks plus a Create-A-Space™ half rack. Oven model JMW9530DD has one EasyRack™ oven rack, one offset rack and one Create-A-Space™ half rack. The EasyRack™ oven rack has an opening at the front of the rack for easily grasping cookware without handles or sides, such as cookie sheets and baking stones. The Create-A-Space™ half rack is a full-width rack that may be converted to a half-rack. Gas wall oven JGW8130DD has two standard oven racks. An optional half-rack, model # HALFRACK, is available. To order, contact a Jenn-Air dealer.
- C. The microwave on models JMW8527DA, JMW9527DA, JMW8530DA and JMW9530DA has the same features as model JMC8127DD/JMC8130DD (see pages 122-123 for microwave features and specifications). Models JMW8130DA and JMW9130DA have a 2.1 cu. ft., 1100 watt microwave. Features include 10 power levels, sensor-controlled cooking, electronic controls, digital display with clock, one-touch cook pads, rapid defrost, auto and timed defrost, custom programs and Easy Cook.
- D. The Automatic Convection Conversion feature takes the guesswork out of convection cooking by automatically converting standard cooking temperature/time to the correct settings for convection cooking.
- E. The Favorite Settings option ensures consistent results every time by allowing you to name, program and save the cook time, oven temperature and cooking method for up to 10 of your favorite recipes. Models JMW8130DA, JMW9130DA and gas wall oven model JGW8130DD has memory for one Favorite Setting.
- F. The Cook & Hold option keeps food warm for up to one hour after the cook time has expired. The oven automatically turns off after the one hour Hold time has expired.
- G. Jenn-Air® electric wall ovens with convection offer a Bread Proofing feature that provides a controlled environment for proofing or allowing yeast bread products to rise in the oven prior to baking. Two methods are provided – Standard Proofing and Rapid Proofing.
- H. The Setup pad on the electric wall oven control panel lets the user customize several oven functions and features. These include, but are not limited to, language option of English, French or Spanish, Fahrenheit or Celsius temperature display, and an Energy Saver option that allows the control display to go dark when the oven is not in use.
- I. White and black models have color-matching handles. Stainless steel models have black handles.

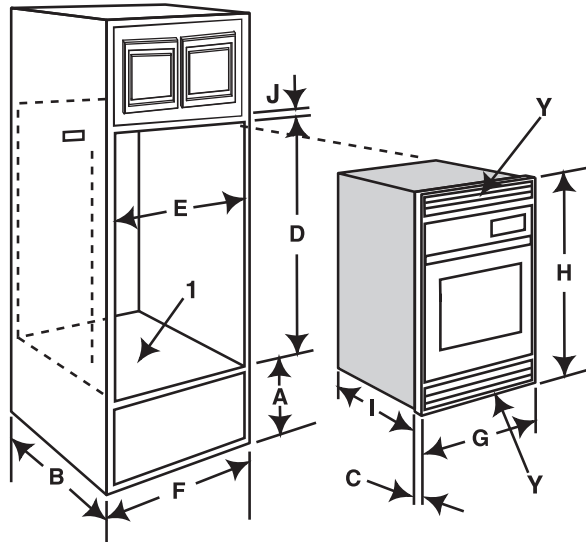
\*\*\* Built-In Microwave Models JMC8127, JMC8130 and JMC9158 may not be installed above gas wall oven Model JGW8130.

All Jenn-Air® appliances are appropriately UL, AGA, CSA or CGA approved.

CIRCUIT PROTECTION SPECIFICATION GUIDE		
Recommended Minimum		
K.W. Rating	Circuit Protection	Wire Size
On Serial Plate	In Amperes	AWG
0 – 4.8	20	12
4.9 – 6.9	30	10
7.0 – 9.9	40	8
10.0 – 11.9	50	8
12.0 – 14.9	60	6

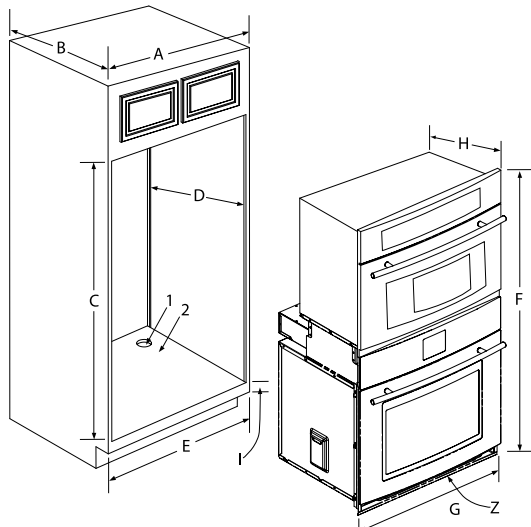
**IMPORTANT:** Because of continuing product improvements, Jenn-Air reserves the right to change specifications without notice. Dimensional specifications are provided for planning purposes only. For complete details see installation instructions packed with product before selecting cabinetry, making cutouts or beginning installation.

30" GAS WALL OVEN DIMENSION DIAGRAM



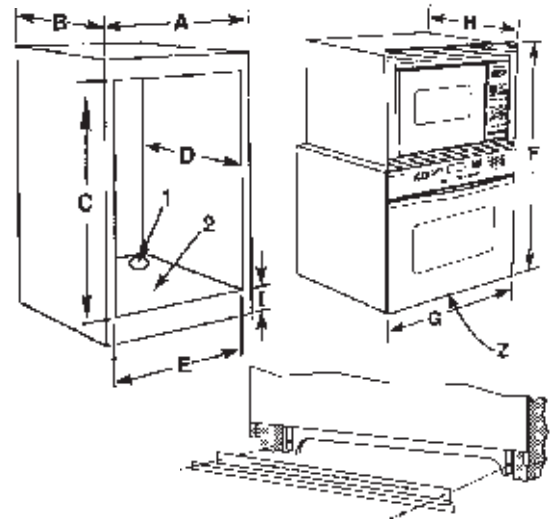
JGW8130DD		
DIMENSIONS		
■	in	cm
A	12 min.	30.48
B	24	60.96
C	1 1/8	2.85
D	33 15/16	85.88
E	30 3/16	76.52
F	33 min.	83.82
G	30 1/4	78.43
H	34 1/16	86.36
I*	23 1/8	60.64
J	See installation instructions for minimum clearance.	
▲ NOTES		
1	Complete floor is recommended to prevent unusual drafts.	
Y	Do not obstruct oven vent.	
* Excluding door handle		

MICROWAVE WALL OVEN COMBO DIMENSION DIAGRAM



**IMPORTANT: Cutout Dimensions Are Critical. Refer to installation instructions packaged with product BEFORE making cutouts.**

**NOTES:** Installed combo wall oven overlaps the cut out 1/16" (2.38 cm) at the top and 1/8" (.32 cm) at the bottom. This must be taken into consideration when locating cutout if installed unit is to be centered in the cabinet. These appliances have been designed in accordance with the requirements of various safety agencies and comply with the maximum allowable wood cabinet temperatures of 194°F. If these appliances are installed with cabinets that have a lower working temperature than 194°F, discoloration, delamination or melting may occur.



30"	JMW8530DA, JMW9530DA		27"	JMW8527DA, JMW9527DA	
DIMENSIONS					
■	in	cm	■	in	cm
A	30 min.	76.20 min.	A	27 min.	68.58 min.
B	24 min.	60.96 min.	B	24 min.	60.96 min.
C	51 1/8 ± 1/16	131.76 ± .16	C	51 1/8 ± 1/16	131.76 ± .16
D	24 min.	60.96 min.	D	24 min.	60.96 min.
E	28 1/2 ± 1/16	72.39 ± .16	E	25 1/2 ± 1/16	64.77 ± .16
F	52 15/16	134.46	F	52 15/16	134.46
G	29 3/4	75.49	G	26 3/4	67.95
H*	25 1/2	64.77	H*	25 1/2	64.77
I	4-10	10.2-25.40	I	4-10	10.2-25.40
▲ NOTES					
1	1 1/2" Dia. Conduit Access Hole**		1	1 1/2" Dia. Conduit Access Hole**	
2	3/8" plywood floor (must support 310 lbs)		2	3/8" plywood floor (must support 310 lbs)	
Z	Do not block air intake slots along bottom of oven.		Z	Do not block air intake slots along bottom of oven.	

30"	JMW8130DA, JMW9130DA	
DIMENSIONS		
■	in	cm
A	30 min.	76.20
B	24 min.	60.96
C	47 1/8	119.4
D	24 min.	60.96
E	28 1/2	72.40
F	47 1/8	120.9
G	29 3/4	75.57
H*	24 1/16	62.1
I	4-20	10.2-50.8
▲ NOTES		
1	1 1/2" Dia. Conduit Access Hole**	
2	3/8" plywood floor (must support 250 lbs)	
Z	Do not block air intake slots along bottom of oven.	

\* Excluding door handle  
 \*\*Hole must be cut as close to corner of cabinet as possible.  
 Electrical Requirements: Provide for 120/240 or 120/208 VAC, 60 Hz. See serial plate on front of unit for power requirements.

\* Excluding door handle  
 \*\*Hole must be cut as close to corner of cabinet as possible.

**IMPORTANT:** Because of continuing product improvements, Jenn-Air reserves the right to change specifications without notice. Dimensional specifications are provided for planning purposes only. For complete details see installation instructions packed with product before selecting cabinetry, making cutouts or beginning installation.

## MICROWAVE OVENS

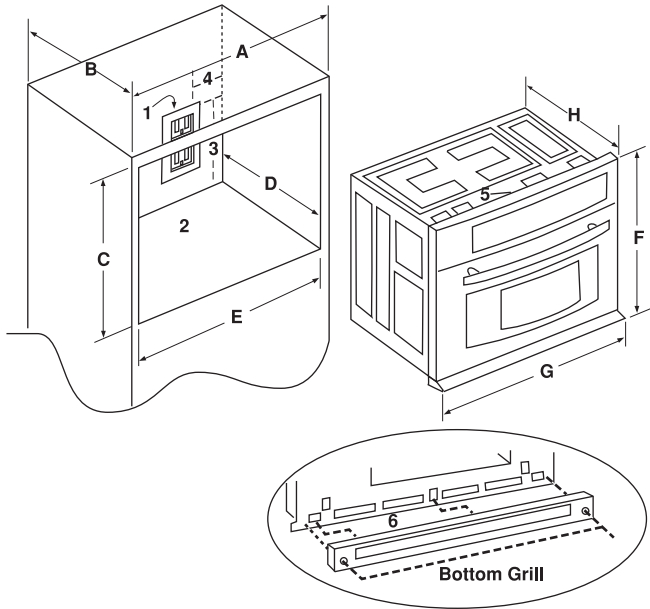
MICROWAVE OVENS FEATURES AND SPECIFICATIONS				
MODEL #	BUILT-IN			OVER-THE-RANGE
	JMC 8127DD	JMC 8130DD	JMC 9158AA	JMV 8208AA
Overall Width (in)	26 ¾	29 ¾	22 ¾	29 ¾
Overall Height (in)	23 ⅙	23 ⅙	14 ⅞	16 ⅙
Overall Depth (in)	20 ⅜ <sup>A</sup>	20 ⅜ <sup>A</sup>	20	15 ⅜
Oven Interior Height (in)	10 ⅞	10 ⅞	10 ⅞	10 ⅞
Oven Interior Width (in)	15 ¼	15 ¼	15 ¼	23 ½
Oven Interior Depth (in)	15	15	15	14 ⅜
Turntable Diameter (in)	12 ¾	12 ¾	12 ¾	15 ¾ x 13 <sup>B</sup>
Oven Capacity (cu. ft.)	1.5	1.5	1.5	2.0
Power Outputs (watts)	1000	1000	1000	1100
Jenn-Air Platinum Warranty	•	•	•	•
Curved Front Styling	•	•	•	•
Electronic Touch Controls	•	•	•	•
Display Window with Digital Clock, Prompts & Indicators	•	•	•	•
Large Oven Window	•	•	•	•
Automatic Oven Light	•	•	•	•
Below Oven Halogen Work Surface Light w/ On/Off Timer	•	•	•	•
Separate Kitchen Timer	•	•	•	•
Power Levels	10	10	10	10
Convection and Combination Cooking	•	•	•	•
One-Touch Start	•	•	•	•
Multi-Stage Memory Programming	2-Stage	2-Stage	2-Stage	4-Stage
Warm/Hold, Hold/Warm <sup>C</sup>	•	•	•	•
Defrost By Time	•	•	•	•
Auto Defrost and Quick/Rapid Defrost	•	•	•	•
Auto Sensor Microwaving	Baked Potato, Beverage, Fresh Vegetable, Frozen Entrée, Frozen Vegetable, Pizza Slice, Popcorn, Reheat Entrée, Soup/Sauce	Baked Potato, Beverage, Fresh Vegetable, Frozen Entrée, Frozen Vegetable, Pizza Slice, Popcorn, Reheat Entrée, Soup/Sauce	Cook (0-9 Selections), Popcorn, Reheat (dinner plate, soup, casserole)	Cook (7 categories), Popcorn, Reheat (4 categories)
Auto Non-Sensored Microwaving				Poultry (4 categories), Soften (4 categories), Melt (4 categories)
More/Less Time Adjustment				
Touch Pads	•	•	•	•
Add 30 Seconds Touch Pad <sup>D</sup>	•	•	•	•
Easy Cook Touch Pad <sup>D</sup>			•	
Custom Recipe /Custom Programs	•	•	•	•
Control Setup/Options	•	•	•	•
Control Panel Lock	•	•	•	•
Glass Turntable/Tray <sup>E</sup>	•	•	•	•
Removable Oven Rack				•
Convection Rack			•	
Exhaust Fan Speeds <sup>F</sup>				5
Outside or Ductless Venting <sup>G</sup>				•
Grease Filter and Charcoal Filter Included				•
Drop-Down Oven Door w/ Stainless Steel Handle	•	•	•	•
Pull To Open Oven Door	•	•	•	•
Built-In Installation With No Trim Kit Required	•	•		
Trim Kits Available for In-Wall Built-In Installation <sup>G</sup>			AST2780 AST3080	
May Be Used in Countertop Installation			•	
May Not Be Used Above A Gas Wall Oven	•	•	•	
May Not Be Installed Under Counter			•	
Color Indicators (add to end of model number) B=Black; W=White; Q=Bisque; S=Stainless Steel	B, W, Q, S	B, W, Q, S	B, W, Q, S	B, W, Q, S
Available in Canada	•	•		B, S
Approximate Shipping Weight (lbs/kg)	70 / 32	77 / 35	59 / 27	68 / 31

- Feature included.
- A. Excluding oven door handle. Add Approximately 2 ¼" for door handle.
- B. Model JMV8208 has a turntable with rectangular bottom that accommodates large pans. It slides from side to side to ensure even heating.
- C. Safely keeps cooked food warm for up to 99 minutes (JMC9158) or 90 minutes (JMV8208) using microwave energy. May be used by itself or to automatically follow a cooking cycle.
- D. These time saving features let you start the microwave without using the Start pad.
- E. Model JMV8208 features a WideGlide™ tray that moves from side to side to aid in even heating.
- F. The ventilation fan automatically activates when the temperature gets too hot around the microwave. The fan may also be turned on and off manually from the microwave control panel. Model JMV8208 features a vent auto time set pad for setting 1 - 30 minutes of ventilation time. The microwaves are preset for recirculating ventilation. They may be converted to outside ventilation. Duct size is 3 1/4" x 10".
- G. Trim kits to install JMC9158 above Jenn-Air® wall ovens include:  
AST2780AB/W/C/S for 27" wall oven. Installed dimensions are 20 5/16" H x 26 7/8" W. AST3080AB/W/C/S for 30" oven. Installed dimensions are 20 5/16" H x 29 3/4" W.

JMC8127, JMC8130 and JMC9158 models may not be installed above a gas wall oven.

**IMPORTANT:** Because of continuing product improvements, Jenn-Air reserves the right to change specifications without notice. Dimensional specifications are provided for planning purposes only. For complete details see installation instructions packed with product before selecting cabinetry, making cutouts or beginning installation.

MODELS JMC8130 & JMC8127 MICROWAVE OVEN DIMENSION DIAGRAMS

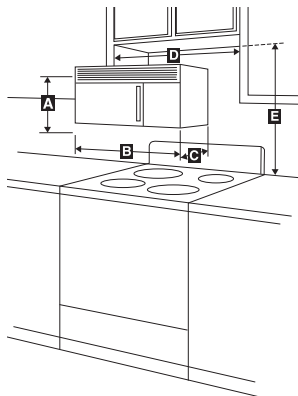


JMC8130			JMC8127		
Dimensions			Dimensions		
■	in	cm	■	in	cm
A	30 min	76.2 min	A	27 min	68.58 min
B	24 min	60.96 min	B	24 min	60.96 min
C	22 5/16	57.47 + 0.16	C	22 5/16	57.47 + 0.16
D	24 min	60.96 min	D	24 min	60.96 min
E	28 1/2 + 1/16	72.39 + 0.16	E	25 1/2 + 1/16	64.77 + 0.16
F	23 1/16	59.69	F	23 1/16	59.69
G	29 3/4	75.56	G	26 3/4	67.95
H	20 3/16	51.27	H	20 3/16	51.27

- Notes:**
1. Properly Polarized and Grounding Outlet.
  2. 5/8 Plywood Floor (Must Support 100 lbs.)
  3. About 15-7/8 Inches
  4. About 1-3/8 Inches
  5. Do not block air intake slots along top of oven.
  6. Do not block exhaust slot along bottom of oven.

**NOTE:** See page 126-127 for additional installation options

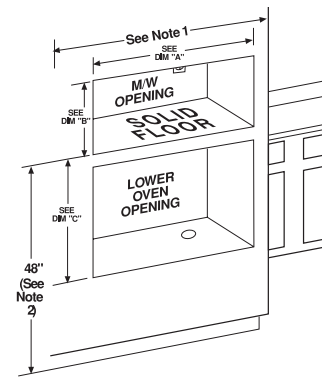
OVER-THE-RANGE MICROWAVE OVEN DIMENSION DIAGRAM



JM V8208AA		
Dimensions		
■	in	cm
A	16 1/16	41.8
B	29 3/16	174.4
C	15 3/8	39.1
D	30	76.2
E	30	76.2

- Notes:**
1. 33" from the countertop to the top of the microwave cutout is recommended for optimal performance of gas range and microwave.

MODEL JMC9158 MICROWAVE OVEN INSTALLATION ABOVE SINGLE ELECTRIC WALL OVEN



Note 1: When installing this Kit above a built-in oven, check built-in oven installation instructions to determine cutout dimensions for the (lower) wall oven.

Note 2: For a new installation, the 48" height dimension to the bottom of the cutout for the microwave oven is recommended. This places the microwave oven bottom at approximately 50" from the floor.

TRIM KIT	AST2780	AST3080
Dim "A"	25 1/2"	28 1/2"
Dim "B"	17 1/8"	17 1/4"
Dim "C"	30 1/2" min.	30 1/2" min.
Exterior Width	26 1/8"	29 1/4"
Exterior Height	20 3/16"	20 "
Exterior Depth	7/8"	7/8"

**IMPORTANT:** Because of continuing product improvements, Jenn-Air reserves the right to change specifications without notice. Dimensional specifications are provided for planning purposes only. For complete details see installation instructions packed with product before selecting cabinetry, making cutouts or beginning installation.

## WARMING DRAWER

Warming Drawer Features and Specifications	JWD7030CDX
Overall Height of Drawer (in)	9
Overall Height w/Drawer Front (in)	10 1/2
Overall Width (in)	30
Overall Depth	
(excluding faceplate and handle) (in)	23 1/4
Depth of Drawer When Fully Extended (in)	
With Curved Glass Drawer Front	25 1/4
With Pro-Style™ Drawer Front	27 7/16
Overall Depth With Drawer Fully Extended (in)	
With Curved Glass Drawer Front	48 1/2
With Pro-Style™ Drawer Front	50 11/16
Cutout Height (in)	9 1/4
Cutout Width (in)	28 1/2
Cutout Depth (in)	23 1/2
Drawer Interior Height (in)	5 1/8
Drawer Interior Width (in)	23 7/8
Drawer Interior Depth (in)	22
Drawer Capacity (cu. ft.)	1.6
Total Connected Load-KW <sup>a</sup> (see chart)	0.45
Jenn-Air Platinum Warranty	•
450-Watt Heating Element	•
Variable Temperature Control	82°F – 210°F
Preset Temperature Control	Proof – 98°F Low – 140°F Medium – 170°F High – 210°F
Variable Moisture Slide Control	Moist – Crisp
Auto-Off Timer	0-4 Hours
Continuous On Setting	•
Concealed Knob Controls	•
On Indicator Light (visible when drawer is open)	•
Removable Half Rack	•
Full-Extension Drawer with Roller Glides	•
Removable Stainless Steel Liner Pan	•
May Be Installed Beneath Select Jenn-Air® Wall Ovens and Cooktops <sup>b</sup>	•
Accessory Pan Set Available <sup>c</sup> (5 Commercial Grade Stainless Steel Pans w/ Lids)	•
Curved Glass Black Drawer Front <sup>d</sup>	JWD7130DDB
Curved Glass White Drawer Front <sup>d</sup>	JWD7130DDW
Curved Stainless Steel Drawer Front <sup>d</sup>	JWD7130DDS
Pro-Style™ Stainless Steel Drawer Front <sup>d</sup>	JWD7130DDP
Panel Kit for Custom Cabinet Front <sup>d</sup>	JWD7130CDK
Available in Canada	•
Approximate Shipping Weight (lbs./kg)	65 / 30

- Feature Included
- A. Electric models are UL listed for 3-wire 120 VAC.
- B. Includes Jenn-Air® electric wall oven models JJW7530, JJW8130, JJW8530, JJW9130, JJW9530, JJW8230, JJW8630, JJW9230, JJW9630, JJW9830, JMW8130, JMW8530, JMW9130, JMW9530 and Jenn-Air® gas wall oven JGW8130. Jenn-Air® electric cooktop models JEC8430, JEC8536, JEC9530, JEC9536, JEC0530, JEC0536 and Jenn-Air® gas cooktop models JGCP430ADP, JGCP636ADP, JGCP648ADP, JGC8430, JGC8536, JGC8645, JGC9430 and JGC9536.
- C. Order model number DRAWERPANS.
- D. A drawer front is required for mounting to the JWD7030CDX base unit. Order the front that coordinates with your Jenn-Air® wall oven and/or cooktop or best compliments the room's décor. Order the panel kit for installing a custom panel on the warming drawer to match surrounding cabinetry. Depending on the style of cabinetry and construction of the custom panel, the front of the custom panel on the warming drawer may not fit flush with surrounding cabinetry. When using the panel kit, installation of a custom handle is required (purchase custom panel and handle separately).

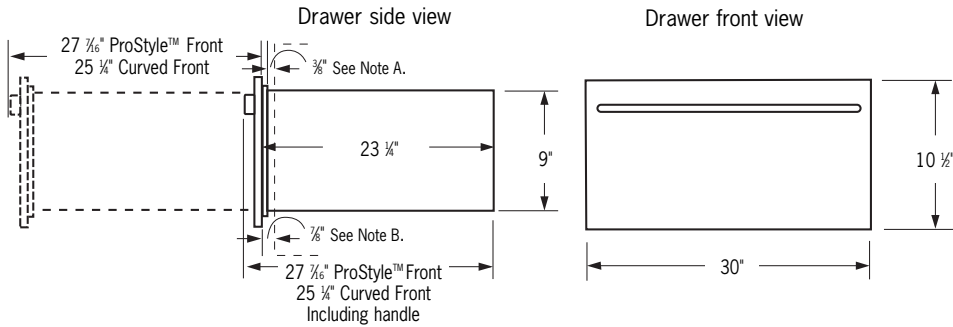
### CIRCUIT PROTECTION SPECIFICATION GUIDE

K.W. Rating On Serial Plate	Recommended Minimum	
	Circuit Protection In Amperes	Wire Size AWG
0 – 4.8	20	12
4.9 – 6.9	30	10
7.0 – 9.9	40	8
10.0 – 11.9	50	8
12.0 – 14.9	60	6

All Jenn-Air® appliances are appropriately UL, AGA, CSA or CGA approved.

**IMPORTANT:** Because of continuing product improvements, Jenn-Air reserves the right to change specifications without notice. Dimensional specifications are provided for planning purposes only. For complete details see installation instructions packed with product before selecting cabinetry, making cutouts or beginning installation.

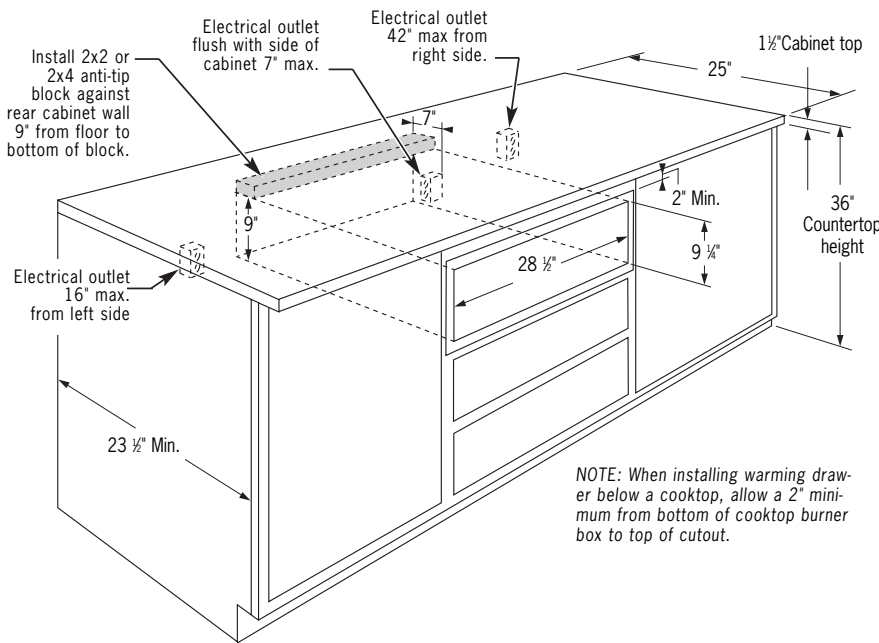
**PRODUCT DIMENSIONS**



**NOTES:**

- A. 3/8" venting gap (when fully closed) from front of cabinet surface to back of drawer face.
- B. 7/8" gap (when fully closed) from front of cabinet surface to back of drawer front panel.

**INSTALLATION UNDER A COUNTER**



**CUSTOM PANEL INSTALLATION KIT**

This kit contains a mounting panel to attach to a custom drawer front. A custom handle of your choice must be installed with the front on the mounting panel.

- Parts supplied:
- Mounting panel
  - 7 mounting screws

The warming drawer should be installed according to the installation instructions packed with the product.

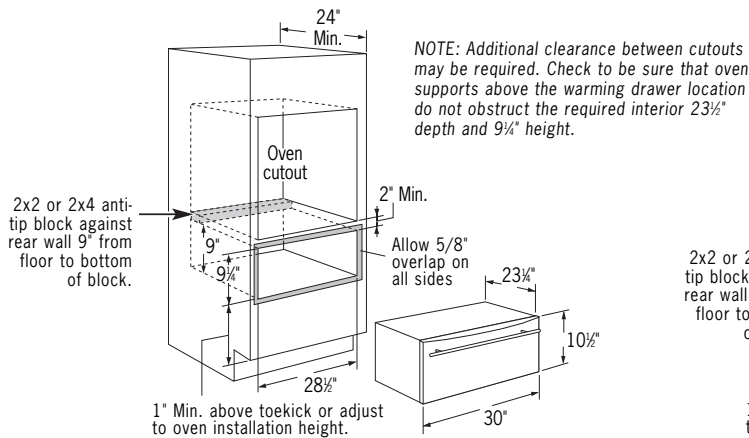
- The edges of the custom drawer front will be visible and should be finished for best appearance.
- The custom drawer front should be constructed in the same manner as typical cabinet doors.
- When ordering the custom drawer front from the cabinet manufacturer the overall dimensions should be 10 1/2" high by 29 7/8" wide.
- Order a custom handle to match the surrounding cabinetry handles.

**Mounting options:**

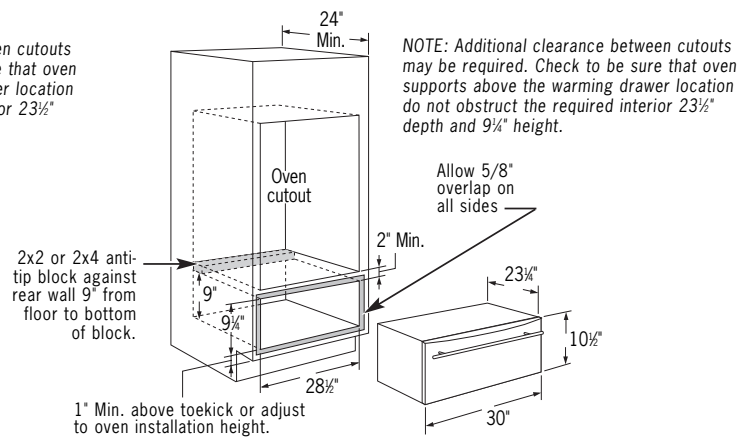
- Adhesive (recommended for panels less than 3/4" thick)
- Screws (for 3/4" panels)

**CAUTION:** Select screw length to avoid penetration of finished side. Do not drill completely through the custom panel.

**INSTALLATION BELOW A SINGLE WALL OVEN**



**INSTALLATION BELOW A DOUBLE WALL OVEN**



**NOTE:** Electrical receptacle can be installed as shown for countertop installations. Do not install receptacle above the top of the warming drawer cutout.

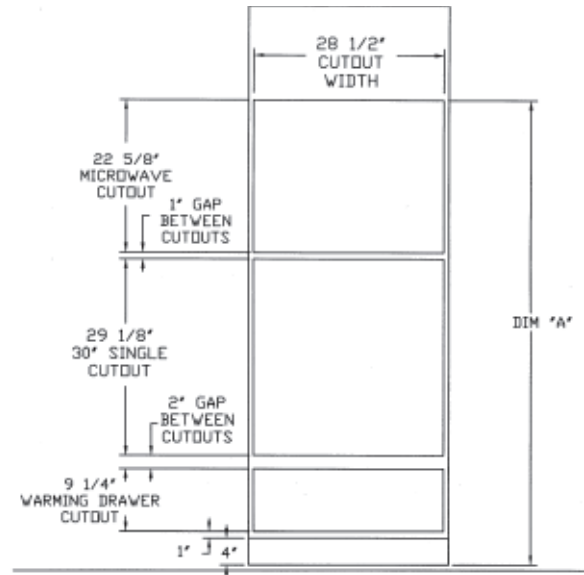
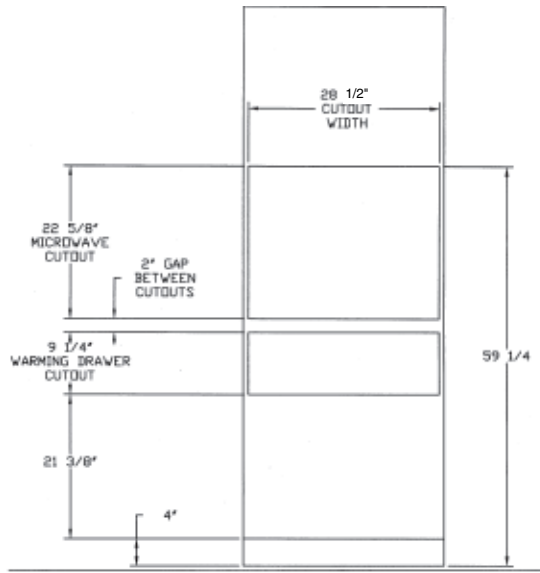
**IMPORTANT: Cutout Dimensions Are Critical. Refer to installation instructions packaged with product BEFORE making cutouts.**

**IMPORTANT:** Because of continuing product improvements, Jenn-Air reserves the right to change specifications without notice. Dimensional specifications are provided for planning purposes only. For complete details see installation instructions packed with product before selecting cabinetry, making cutouts or beginning installation.

MULTIPLE OVEN INSTALLATION OPTIONS

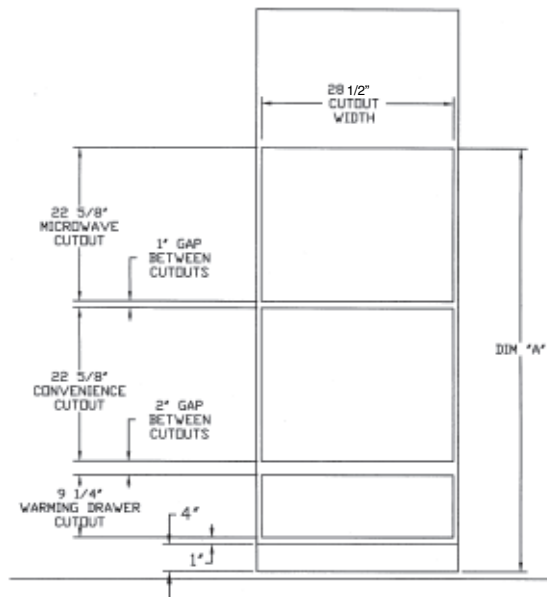
JMC8130 MICROWAVE AND WARMING DRAWER INSTALLATION

JMC8130 MICROWAVE, SINGLE WALL OVEN AND WARMING DRAWER INSTALLATION



DIM A (With Warming Drawer) = 69"  
 DIM A (Without Warming Drawer) = 59 1/4"

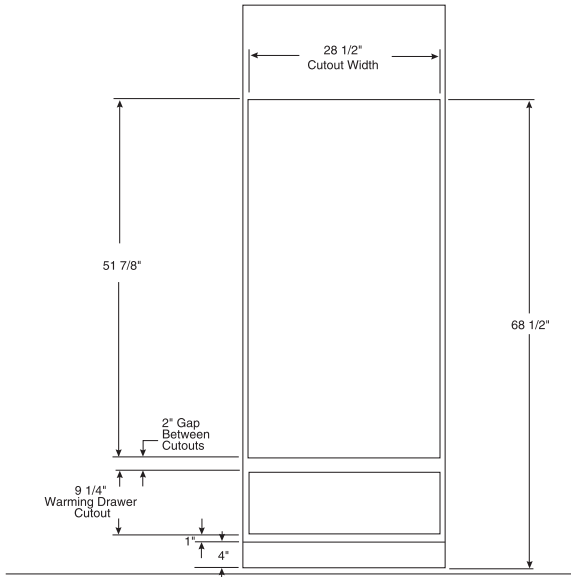
JMC8130 MICROWAVE, JJW7530 CONVENIENCE OVEN AND WARMING DRAWER INSTALLATION



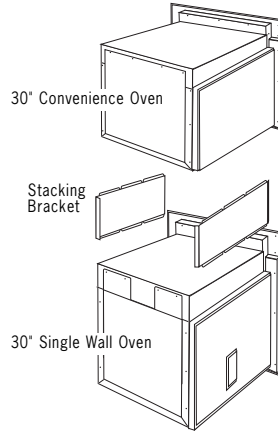
DIM A (With Warming Drawer) = 62 1/2"  
 DIM A (Without Warming Drawer) = 59 1/4"

**IMPORTANT:** Because of continuing product improvements, Jenn-Air reserves the right to change specifications without notice. Dimensional specifications are provided for planning purposes only. For complete details see installation instructions packed with product before selecting cabinetry, making cutouts or beginning installation.

**JJW7530 CONVENIENCE OVEN, SINGLE WALL OVEN AND WARMING DRAWER INSTALLATION**



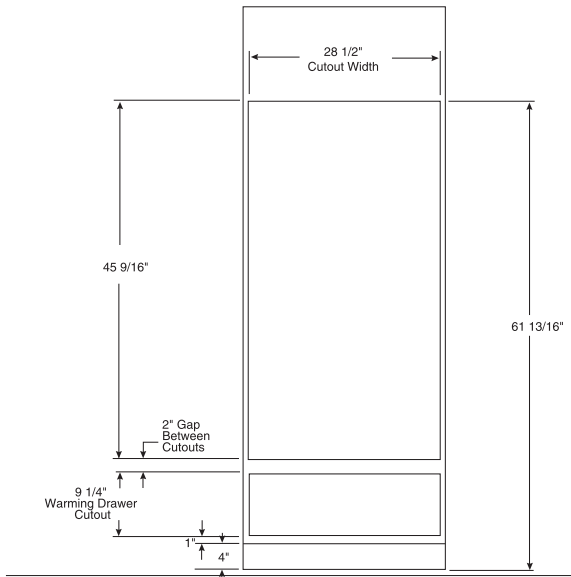
**NOTE:** When installing the Convenience Oven above a Single Wall Oven or another Convenience Oven, a bracket to combine the two ovens is required. Order part # CONVBRAKT. The bracket kit includes a black front air grille that bridges the gap between the upper and lower ovens.



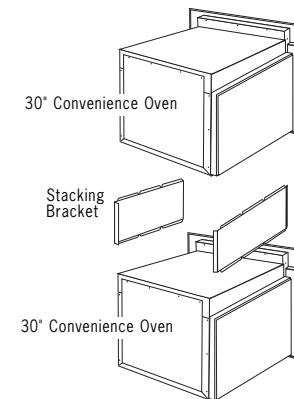
Mount the stacking brackets to the lower oven using the screws provided in the kit. Place the upper oven on the brackets and secure with the remaining screws.

**NOTE:** Lower oven may require drilling four 1/8" (3.175mm) diameter holes using the stacking bracket as a template.

**JJW7530 CONVENIENCE OVEN OVER JJW7530 CONVENIENCE OVEN INSTALLATION**



**NOTE:** When installing the Convenience Oven above a Single Wall Oven or another Convenience Oven, a bracket to combine the two ovens is required. Order part # CONVBRAKT. The bracket kit includes a black front air grille that bridges the gap between the upper and lower ovens.



Mount the stacking brackets to the lower oven using the screws provided in the kit. Place the upper oven on the brackets and secure with the remaining screws.

**NOTE:** Lower oven may require drilling four 1/8" (3.175mm) diameter holes using the stacking bracket as a template.

**IMPORTANT:** Because of continuing product improvements, Jenn-Air reserves the right to change specifications without notice. Dimensional specifications are provided for planning purposes only. For complete details see installation instructions packed with product before selecting cabinetry, making cutouts or beginning installation.





## PLATINUM WARRANTY\*

All Jenn-Air® appliances carry a minimum warranty of 1st year free parts and labor, plus a 2nd year free parts only. Warranties begin on the date of purchase. The chart below details specific warranties by product category. The years after date of original purchase are listed across the top.

PRODUCT	YEARS									
		1	2	3	4	5	10	12	Lifetime	
COOKTOP, WALL OVEN, CONVENIENCE OVEN, RANGE <i>(Gas or Electric)</i>	PARTS	All	All	Glass-Ceramic Cooktop Due to Thermal Breakage; Electric Heating Elements Including Surface Elements, Bake and Broil Elements; Electronic Controls; Gas Sealed Burners						
	LABOR	Yes								
WARMING DRAWER	PARTS	All	All							
	LABOR	Yes								
COOKING ACCESSORIES	PARTS	All	All	Glass-Ceramic Top Due to Thermal Breakage; Electric Surface Heating Elements; Gas Sealed Burners						
	LABOR	Yes								
COMBINATION MICROWAVE/WALL OVEN	PARTS	All	All	Electronic Control Panel Components; Electric Bake and Broil Elements; Microwave Energy Components						
	LABOR	Yes								
BUILT-IN MICROWAVE OVER-THE-RANGE MICROWAVE	PARTS	All	All	Limited to Magnetron Tube, Touch Pad Assembly, Microprocessor						
	LABOR	Yes	Yes							
HOOD	PARTS	All	JXT Models							
	LABOR	Yes								
DISHWASHER	PARTS	All	All	All	Microprocessor and Touch Pad Assemblies, Cabinet Front Panel Rust, Wash System Pump and Motor, Wash Arms and Sensor Package, DuraGuard® Rock Finish					
	LABOR	All	Door Liner (if liner fails due to water leak) Lifetime Full Warranty Dishwasher Replacement (if tub fails due to water leak) Lifetime Full Warranty							
BUILT-IN REFRIGERATOR	PARTS	All	All	All	Sealed Refrigeration System (consisting of the Compressor, Evaporator, Condenser, Drier and Connecting Tubing) which fails in normal home use.					
	LABOR	All	All	All	Mileage and transportation charges, if required, shall be the responsibility of the owner.					
REFRIGERATOR WINE CELLAR, UNDER COUNTER REFRIGERATOR, ICE MAKER	PARTS	30 Days for Water Filter Cartridge	All	Limited to Interior Cabinet Liner (exclusive of door liner) and Sealed Refrigeration System						
	LABOR	Yes	(Installation labor only) Limited to Interior Cabinet Liner (exclusive of door liner) and Sealed Refrigeration System							
COMPACTOR	PARTS	All	All							
	LABOR	Yes								
SMALL APPLIANCES MIXER BLENDER	PARTS	Hassle-Free Replacement								
	LABOR									

\*Warranty stated covers only those models specified in this catalog. See a Jenn-Air® dealer for model specific warranty information.

## OWNER'S RESPONSIBILITIES

The customer has certain responsibilities which must be satisfied to qualify for coverage under these warranties. For all products, the owner is responsible for providing normal care and maintenance in accordance with the Use & Care Instructions, providing proof of purchase on request, proper installation and making the appliance reasonably accessible for service. For refrigerators, the owner will pay for service calls or trip charges to analyze sealed system defects, including related labor costs and mileage and/or transportation, if required, for the service second through fifth years.

## WARRANTY SERVICE

Under the full warranty, service must be performed by an Authorized Jenn-Air Service Contractor. To obtain service, contact the dealer from whom the unit was purchased, an authorized Service Contractor, or contact Jenn-Air Customer Assistance, c/o Maytag Appliances Sales Company, P.O. Box 2370, Cleveland, TN 37320, 1-800-JENN-AIR (U.S. and Ontario) or 1-423-472-3333. Please include model number, serial number and date of original retail purchase in all correspondence. Service will be provided during normal business hours. All replacement parts assume the unused portion of this warranty. This warranty gives you specific legal rights, and you may also have other rights which vary from state to state.

## CANADIAN RESIDENTS

This warranty covers only an appliance installed in Canada that has been certified to a National Standard of Canada unless the appliance is brought into Canada due to transfer of residence from the United States to Canada.



[jennair.com](http://jennair.com)