

*Frigidaire*



*Refrigeration  
Products*



# Refrigeration Products

Since the invention of the refrigerator, Frigidaire® has led the home appliance industry in innovation, ingenuity, performance, convenience and style.

From saving time, to saving energy, to saving space, Frigidaire® embodies the cutting edge of appliance design with a counter-depth, side-by-side, or top mount refrigerator that is perfect for your home.

The refrigerator interiors feature adjustable bins, SpillSafe™ shelves and other amenities to maximize convenience, capacity and organization. The exteriors are smudge resistant and easy to clean.

Frigidaire's water filtration system is one of the most advanced in the world, while our electronic controls keep food fresher longer.

Inside and out, Frigidaire® quality leads the way.

## KEY COUNTER-DEPTH FEATURES



**PureSource 2™ Ice & Water Filtration System** twin carbon block filter cassette effectively protects against lead, chlorine, cysts and particulates. The no-spill cassette can be replaced with the push of a button every 400 gallons (6 to 9 months).



**Space-Saver Shelf** provides the perfect storage location for ice cream and other frozen food items.



**Easy Care Real Stainless Steel** is real stainless steel with a protective coating that provides smudge resistance and low maintenance.



**In-Door Can Rack** is a unique and convenient way to store canned beverages. It securely and uniformly stores beverages for handy access while freeing up valuable shelf space. The rack will accommodate up to six cans.



**Fresh Lok™ Hydrators** provide cold air control from 33-39 degrees. (Food stored at 32-33 degrees lasts over 150% longer than food stored at 39 degrees.) They also provide a wide range of humidity variance and flexibility for improved food preservation.



**Tilt-Out Wire Door Shelves** help you store a variety of frozen food items in a smaller space. The wire construction securely stores small packages and allows complete visibility of contents, while the tilt-out feature gives you easy access.



**SmartFit™ Glass Shelf** provides adjustable shelf space for taller items by easily raising or lowering the shelf without having to remove the food.



**Flexible Refrigerator Door Storage** can be easily configured to suit your needs. There are two adjustable two-liter door bins, a gallon storage bin and a tall-bottle retainer. The removable dairy bin also affords additional tall bottle or container storage when removed.



**Precision Temperature & Electronic Controls** provide precise temperature settings on a digital display. The warning indicators signal when power has been interrupted, the door is ajar or a high temperature has occurred.

Available on Select Models in Spring 2005.



**Transition Lighting** gradually illuminates the refrigerator interior to easily adjust for ambient lighting conditions.

Available on Select Models in Spring 2005.



**Sliding SpillSafe™ Glass Shelves** are encased to catch and hold spills for easy cleanup, and slide out for easy access to all items.

# Professional Series®

Counter-Depths



## PHSC239D SB 22.6 Cubic Feet

### Refrigerator Section:

- SpaceWise™ Design
- UltraSoft™ Easy Care Real Stainless Steel Doors
- UltraSoft™ Stainless Steel Handles
- Front-Mounted PureSource 2™ Filter with Filter Change Signal
- Front-Mounted Cold Controls
- 7 Button Clean Touch Dispenser
- Crushed/Cubes/Water/Extra Ice/Extreme Freeze/Lock
- Illuminated Dispenser Paddles
- Backlit Control Panel with Electronic Digital Temperature Setting Display
- Door Ajar/ Temperature/ Power Failure Alarm
- 1 SmartFit™ Glass Shelf
- 2 SpillSafe™ Glass Shelves (1 Sliding)
- 1 Fixed Clear Gallon Door Bin
- 2 Adjustable Clear 2-Liter Door Bins
- 1 Fixed Clear Condiment Bin
- Removable Dairy Compartment with Clear Door
- Clear Fresh Lok™ Meatkeeper
- 2 Clear Crispers (1 Divided)
- 3 Humidity Controls
- Tri-Level Lighting
- Clear In-Door Can Rack
- Clear Wine Rack
- Clear Tall Bottle Retainer

### Freezer Section:

- 2 Clear Upper Bins
- 2 Tilt-Out Wire Shelves
- 2 Glass Shelves
- 1 Tall Full Extension Basket
- 1 Tall Basket
- 1 Regular Basket
- Space-Saver Shelf



## Available Spring 2005: PHSC39EE SS 22.6 Cubic Feet

- Stainless Look Cabinet
- Transition Lighting



## Gallery Series®



### **GHSC239D W/B** 22.6 Cubic Feet

#### **Refrigerator Section:**

- SpaceWise™ Design
- UltraSoft™ Doors and Handles
- Front-Mounted PureSource 2™ Filter with Filter Change Signal
- Front-Mounted Cold Controls
- 7 Button Clean Touch Dispenser
- Crushed/Cubes/Water/Extra Ice/Extreme Freeze/Lock
- Illuminated Dispenser Paddles
- Backlit Control Panel with Electronic Digital Temperature Setting Display
- Door Ajar/Temperature/Power Failure Alarm
- 1 SmartFit™ Glass Shelf
- 2 SpillSafe™ Glass Shelves (1 Sliding)
- 1 Fixed Clear Gallon Door Bin
- 2 Adjustable Clear 2-Liter Door Bins
- 1 Fixed Clear Condiment Bin
- Removable Dairy Compartment with Clear Door
- Clear Fresh Lok™ Meatkeeper
- 2 Clear Crispers (1 Divided)
- 3 Humidity Controls
- Tri-Level Lighting
- Clear In-Door Can Rack
- Clear Wine Rack
- Clear Tall Bottle Retainer

#### **Freezer Section:**

- 2 Clear Upper Bins
- 2 Tilt-Out Wire Shelves
- 2 Glass Shelves
- 1 Tall Full Extension Basket
- 1 Tall Basket
- 1 Regular Basket
- Space-Saver Shelf

#### **Available In:**

- Pearl White and Pearl Black



### **Available Spring 2005:** **GHSC39EE PW/PB** 22.6 Cubic Feet

- Transition Lighting
- Available in Pearl White and Pearl Black



#### **Also Available:**

### **GHSC239TD W/B/S** 22.6 Cubic Feet

- Trim-Kit Ready, to Accept Optional Decorator Door Panels
- Extruded Full-Length Handles
- Available in White, Black and Stainless Steel

(Optional Collar Trim Kits Available.)



### **Available Spring 2005:** **GHSC39ETE W/B/S** 22.6 Cubic Feet

- Transition Lighting
- Trim-Kit Ready, to Accept Optional Decorator Door Panels
- Extruded Full-Length Handles
- Available in White, Black and Stainless Steel

(Optional Collar Trim Kits Available.)



Counter-depth models GHSC239TD and GHSC39ETE are designed to be trim-kit ready and will accept either white, black or stainless steel decorator door panels. Custom cabinet front panels can also be used as pictured.

# Frigidaire®

Counter-Depths



Counter-depth model FSC23F7TD is designed to be trim-kit ready and will accept either white, black or stainless steel decorator door panels as pictured. Custom cabinet front panels can also be used.



## FSC23F7D W/B/SB

22.6 Cubic Feet

### Refrigerator Section:

- SpaceWise™ Design
- UltraSoft™ Doors (Easy Care on Stainless Steel Models)
- UltraSoft™ Handles
- Front-Mounted PureSource 2™ Filter with Filter Change Signal
- Front-Mounted Cold Controls
- 6 Button Clean Touch Dispenser
- Crushed/Cubes/Water/Extra Ice/Lock
- Illuminated Dispenser Paddles
- Backlit Control Panel with Electronic Digital Temperature Setting Display
- Door Ajar Alarm
- 3 SpillSafe™ Glass Shelves (2 Sliding)
- 1 Fixed Clear Gallon Door Bin
- 2 Adjustable Clear 2-Liter Door Bins
- 1 Fixed Clear Condiment Bin
- Removable Dairy Compartment with Clear Door
- Clear Fresh Lok™ Meatkeeper
- 2 Clear Crispers
- 2 Humidity Controls
- Dual-Level Lighting
- Clear In-Door Can Rack
- Clear Wine Rack
- Clear Tall Bottle Retainer

### Freezer Section:

- 3 Fixed Clear Bins
- 1 Tilt-Out Wire Shelf
- 2 Glass Shelves
- 2 Tall Baskets
- Space-Saver Shelf

### Available In:

- Pearl White, Pearl Black and Stainless Steel

### Also Available:

## FSC23F7TD W/B/S

22.6 Cubic Feet

- Trim-Kit Ready, to Accept Optional Decorator Door Panels
- Extruded Full-Length Handles
- Available in White, Black and Stainless Steel

(Optional Collar Trim Kits Available.)





**FSC23R5D W/B/SB**  
**22.6 Cubic Feet**

**Refrigerator Section:**

- SpaceWise™ Design
- UltraSoft™ Doors & Handles
- Rear-Mounted PureSource™ Filter
- Front-Mounted Cold Controls
- 4 Button Dispenser
- Crushed/Cubes/Water
- Backlit Control Panel with Electronic 1-9 Numeric Setting Display
- 3 SpillSafe™ Glass Shelves
- 1 Fixed White Gallon Door Bin
- 2 Adjustable White 2-Liter Door Bins
- 1 Fixed White Condiment Bin
- Removable Dairy Compartment with Clear Door
- Clear Fresh Lok™ Meatkeeper
- 2 Clear Crispers
- 1 Humidity Control
- Dual-Level Lighting
- White In-Door Can Rack

**Freezer Section:**

- 4 Fixed White Bins
- 3 Wire Shelves
- 1 Tall Basket
- Space-Saver Shelf

**Available In:**

- White, Black and Stainless Steel



# Professional Series® Specialty Products

With the Professional Series® Beverage Center you can enjoy the convenience and great taste of draft beer anytime and almost anywhere, from the recreation room to poolside. For the ultimate in home entertaining, style and luxury — fresh, cold brew wherever and whenever it's needed.

The Professional Series® “Twins” are the industry’s largest side-by-side configuration and provide a unique value in a large capacity, elegantly styled food storage system. The counter-depth design and dynamic condenser system allow these units to be built in for a truly premium appearance while providing over 33 cubic feet of food storage.

The Professional Series® “Beverage Center” and “Twins.” Unique products. Unique value.

## KEY BEVERAGE CENTER FEATURES



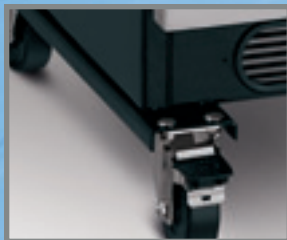
**Dispensing Kit** comes complete with tap, regulator, faucet, hoses and CO<sup>2</sup> canister.



**Adjustable Auxiliary Shelves** provide flexibility for customization of storage space for other beverages and glassware.



**Reinforced Cabinet Structure** accommodates kegs up to half-barrel size (16 gallons), cans, bottles and more.



**Heavy-Duty Caster Kit** for full portability is available as an option (297027300).

## KEY TWINS FEATURES



**Easy Care Real Stainless Steel** surfaces feature a protective micro-coating which reduces smudges and fingerprints and minimizes maintenance.



**Full-Access Sliding Storage Baskets** allow you to organize and store frozen food easily. The wire construction securely stores larger packages and provides complete visibility of contents.



**Tilt-Out Wire Door Bins** help you store a variety of frozen food items in a smaller space. The wire construction securely stores small packages and allows complete visibility of contents, while the tilt-out feature gives you easy access.



**Clear Adjustable Door Bins** offer maximum storage capacity with the convenience to lift and snap into place with one hand.

# Professional Series®

## Specialty Products



### PLKUI267D S Beverage Center

- Stainless Steel Door
- Dispensing Kit Included
- 2 Auxiliary Shelves for Other Beverages and Glassware
- Holds Up To 16 Gallon Keg
- Optional Caster Kit Available (297027300)



### PLRUI777 S / PLFUI777 S 33.7 Cubic Feet

#### Refrigerator Section:

- Easy Care Real Stainless Steel Doors
- UltraSoft™ Stainless Steel Handles
- 3 Full-Width Cantilever Glass Shelves
- 1 Full-Width Fixed Glass Shelf
- 4 Adjustable Clear Door Bins
- 1 Full-Width Fixed White Gallon Door Bin
- Clear Dairy Door
- Clear Deli Drawer
- 2 Clear Crispers
- 1 Humidity Control
- 4 Adjustable Leg Levelers

- Dynamic Condenser Allows for Built-In Applications

#### Freezer Section:

- 3 Full-Width Glass Cantilever Shelves
- 2 Full-Access Sliding Storage Baskets
- 2 Tilt-Out Wire Door Bins
- 3 Full-Width Fixed White Door Bins
- Ice Maker-Ready
- 4 Adjustable Leg Levelers
- Dynamic Condenser Allows for Built-In Applications



## KEY SIDE-BY-SIDE FEATURES



**PureSource 2™ Ice & Water Filtration System** twin carbon block filter cassette effectively protects against lead, chlorine, cysts and particulates. The no-spill cassette can be replaced with the push of a button every 400 gallons (6 to 9 months).



**Sliding SpillSafe™ Glass Shelves** are encased to catch and hold spills for easy cleanup, and slide out for easy access to all items.



**Easy Care Real Stainless Steel** is real stainless steel with a protective coating that provides smudge resistance and low maintenance.



**Space-Saver Shelf** provides the perfect storage location for ice cream and other frozen food items.

**Pizza Rack** is conveniently located beside the ice maker. Allows perfect storage for thin boxed items.



**PrecisionTemp™ Managed Airflow System** responds quickly to temperature changes by providing superior cold airflow.



**Clear Adjustable Door Bins** offer maximum storage capacity with the convenience to lift and snap into place with one hand.



**Precision Temperature & Electronic Controls** provide precise temperature settings on a digital display. The warning indicator signals when the door is ajar. Available on Select Models in Spring 2005.



**Fresh Lok™ MeatKeeper & Hydrators** provide cold air control from 33-39 degrees. (Food stored at 32-33 degrees lasts over 150% longer than food stored at 39 degrees.) They also provide a wide range of humidity variance and flexibility for improved food preservation.



**Tilt-Out Wire Door Shelves** help you store a variety of frozen food items in a smaller space. The wire construction securely stores small packages and allows complete visibility of contents, while the tilt-out feature gives you easy access.

Available on Select Models in Spring 2005.



**Transition Lighting** gradually illuminates the refrigerator interior to easily adjust for ambient lighting conditions.

Available on Select Models in Spring 2005.



**SmartFit™ Glass Shelf** provides adjustable shelf space for taller items by easily raising or lowering the shelf without having to remove the food.

# Professional Series®

Side-By-Sides



Available Spring 2005:

## PLHS69EE SS

26.0 Cubic Feet

### Refrigerator Section:

- UltraSoft™ Easy Care Real Stainless Steel Doors
- UltraSoft™ Stainless Steel Handles
- Stainless Look Cabinet
- Front-Mounted PureSource 2™ Filter with Filter Change Signal
- 7 Button Clean Touch Dispenser
- Crushed/Cubes/Water/Extra Ice/Extreme Freeze/Lock
- Illuminated Dispenser Paddles
- Backlit Control Panel with Electronic Digital Temperature Setting Display
- Door Ajar Alarm
- 1 SmartFit™ Glass Shelf
- 2 SpillSafe™ Glass Shelves (1 Sliding)
- 3 Adjustable Clear Gallon Door Bins
- 2 Fixed Clear 2-Liter Door Bins
- Clear Dairy Door
- Clear Fresh Lok™ Meatkeeper
- 2 Clear Crispers (1 Divided)
- 3 Humidity Controls
- Transition Lighting
- White Can Dispenser/Wine Rack
- Clear Tall Bottle Retainer

### Freezer Section:

- 2 Fixed Clear Door Bins
- 3 Tilt-Out Wire Shelves
- 2 Glass Shelves
- 1 Tall Full Extension Basket
- 1 Tall Basket
- 1 Regular Basket
- Space-Saver Shelf
- Pizza Rack



Available Spring 2005:

## PLHS39EE SS

22.6 Cubic Feet

- 2 Humidity Controls

### Freezer Section:

(Does Not Include Pizza Rack)



Available Spring 2005:

## PLHS68EE SB

26.0 Cubic Feet

- 3 SpillSafe™ Glass Shelves (1 Sliding)  
(Does Not Include Stainless Look Cabinet)

### Freezer Section:

- 4 Fixed Clear Door Bins
- 1 Tilt-Out Wire Shelf



# Professional Series®

## Side-By-Sides



### PLHS67EE SB

26.0 Cubic Feet

#### Refrigerator Section:

- UltraSoft™ Easy Care Real Stainless Steel Doors
- UltraSoft™ Stainless Steel Handles
- Front-Mounted PureSource 2™ Filter with Filter Change Signal
- 5 Button Clean Touch Dispenser
- Crushed/Cubes/Water/Extra Ice
- Illuminated Dispenser Paddles
- Backlit Control Panel with Electronic Digital Temperature Setting Display
- 3 SpillSafe™ Glass Shelves (1 Sliding)
- 2 Adjustable Clear Gallon Door Bins
- 2 Fixed Clear 2-Liter Door Bins
- Clear Dairy Door
- Clear Fresh Lok™ Meatkeeper
- 2 Clear Crispers
- 2 Humidity Controls
- Crisper Lighting
- White Can Dispenser/Wine Rack
- Clear Tall Bottle Retainer

#### Freezer Section:

- 5 Fixed White Door Bins
- 2 Glass Shelves
- 2 Tall Baskets
- Space-Saver Shelf
- Pizza Rack



#### Also Available:

### PLHS37EE SB

22.6 Cubic Feet

(Does Not Include Pizza Rack)



### PLHS269Z DB

26.0 Cubic Feet

#### Refrigerator Section:

- UltraSoft™ Easy Care Real Stainless Steel Doors
- UltraSoft™ Stainless Steel Handles
- Front-Mounted PureSource 2™ Filter with Filter Change Signal
- Front-Mounted Cold Controls
- 7 Button Clean Touch Dispenser
- Crushed/Cubes/Water/Extra Ice/Extreme Freeze/Lock
- Illuminated Dispenser Paddles
- Backlit Control Panel
- 1 SmartFit™ Glass Shelf
- 2 SpillSafe™ Glass Shelves (1 Sliding)
- 3 Adjustable Clear Gallon Door Bins
- 2 Fixed Clear 2-Liter Door Bins
- Clear Dairy Door
- Clear Fresh Lok™ Meatkeeper
- 2 Clear Crispers (1 Divided)
- 3 Humidity Controls
- Tri-Level Lighting
- Clear Can Dispenser/Wine Rack
- Clear Tall Bottle Retainer

#### Freezer Section:

- 5 Fixed Clear Door Bins
- 2 Glass Shelves
- 1 Tall Full Extension Basket
- 1 Tall Basket
- 1 Regular Basket
- Space-Saver Shelf
- Pizza Rack



#### Also Available:

### PLHS239Z DB

22.6 Cubic Feet

• 2 Humidity Controls  
(Does Not Include Pizza Rack)



# Gallery Series®

Side-By-Sides



**Available Spring 2005:**  
**GLHS69EE PW/PB**  
**26.0 Cubic Feet**

**Refrigerator Section:**

- UltraSoft™ Doors and Handles
- Front-Mounted PureSource 2™ Filter with Filter Change Signal
- Front-Mounted Cold Controls
- 7 Button Clean Touch Dispenser
- Crushed/Cubes/Water/Extra Ice/Extreme Freeze/Lock
- Illuminated Dispenser Paddles
- Backlit Control Panel with Electronic Digital Temperature Setting Display
- Door Ajar Alarm
- 1 SmartFit™ Glass Shelf
- 2 SpillSafe™ Glass Shelves (1 Sliding)
- 3 Adjustable Clear Gallon Door Bins
- 2 Fixed Clear 2-Liter Door Bins
- Clear Dairy Door
- Clear Fresh Lok™ Meatkeeper
- 2 Clear Crispers (1 Divided)
- 3 Humidity Controls
- Transition Lighting
- White Can Dispenser/Wine Rack
- Clear Tall Bottle Retainer

**Freezer Section:**

- 2 Fixed Clear Door Bins
- 3 Tilt-Out Wire Shelves
- 2 Glass Shelves
- 1 Tall Full Extension Basket
- 1 Tall Basket
- 1 Regular Basket
- Space-Saver Shelf
- Pizza Rack

**Available In:**

- Pearl White and Pearl Black



**Also Available:**

**GLHS269ZD W/Q/B**  
**26.0 Cubic Feet**

- Backlit Control Panel
- Tri-Level Lighting
- Available in White, Bisque and Black



**GLHS68EE**  
**W/Q/B/PW/PB/SB**  
**26.0 Cubic Feet**

**Refrigerator Section:**

- UltraSoft™ Doors (Easy Care on Stainless Steel Models)
- UltraSoft™ Handles
- Front-Mounted PureSource 2™ Filter with Filter Change Signal
- Front-Mounted Cold Controls
- Backlit Control Panel with Electronic Digital Temperature Setting Display
- Door Ajar Alarm
- 6 Button Clean Touch Dispenser
- Crushed/Cubes/Water/Extra Ice/Lock
- Illuminated Dispenser Paddles
- 3 SpillSafe™ Glass Shelves (1 Sliding)
- 3 Adjustable Clear Gallon Door Bins
- 2 Fixed Clear 2-Liter Door Bins
- Clear Dairy Door
- Clear Fresh Lok™ Meatkeeper
- 2 Clear Crispers
- 2 Humidity Controls
- Tri-Level Lighting
- White Can Dispenser/Wine Rack
- Clear Tall Bottle Retainer

**Freezer Section:**

- 4 Fixed White Door Bins
- 1 Tilt-Out Wire Shelf
- 2 Glass Shelves
- 2 Tall Baskets
- Space-Saver Shelf
- Pizza Rack

**Available In:**

- White, Bisque, Black, Pearl White, Pearl Black and Stainless Steel



**Also Available:**

**GLHS38EE W/Q/PW/PB/SB**  
**22.6 Cubic Feet**

- Available in White, Bisque, Pearl White, Pearl Black and Stainless Steel
- (Does Not Include Pizza Rack)



# Gallery Series®

Side-By-Sides



## GLHS67EE PW/PQ/PB 26.0 Cubic Feet

### Refrigerator Section:

- UltraSoft™ Doors and Handles
- Front-Mounted PureSource 2™ Filter with Filter Change Signal
- Front-Mounted Cold Controls
- Backlit Control Panel with Electronic Digital Temperature Setting Display
- 5 Button Clean Touch Dispenser
- Crushed / Cubes / Water / Extra Ice
- Illuminated Dispenser Paddles
- 3 SpillSafe™ Glass Shelves (1 Sliding)
- 2 Adjustable Clear Gallon Door Bins
- 2 Fixed Clear 2-Liter Door Bins
- Clear Dairy Door
- Clear Fresh Lok™ Meatkeeper
- 2 Clear Crispers
- 2 Humidity Controls
- Crisper Lighting
- Clear Tall Bottle Retainer

### Freezer Section:

- 5 Fixed White Door Bins
- 2 Glass Shelves
- 2 Tall Baskets
- Pizza Rack

### Available In:

- Pearl White, Pearl Bisque and Pearl Black



### Also Available:

## GLHS66EE W/Q/B/SB 26.0 Cubic Feet

- Backlit Control Panel with Electronic 1-9 Numeric Setting Display
  - 3 SpillSafe™ Glass Shelves
- (Does Not Include Illuminated Dispenser Paddles and Clear Tall Bottle Retainer)

### Freezer Section:

- 4 Fixed White Door Bins
- 2 Wire Shelves
- Available in White, Bisque, Black and Stainless Steel



### Also Available:

## GLHS36EE W/Q/B/SB 22.6 Cubic Feet

(Does Not Include Pizza Rack)



## GLRS64ZE W/Q/B 26.0 Cubic Feet

### Refrigerator Section:

- UltraSoft™ Doors and Handles
- Front-Mounted PureSource 2™ Filter
- Front-Mounted Cold Controls
- 4 Button Dispenser
- Crushed / Cubes / Water
- Backlit Control Panel
- 3 SpillSafe™ Glass Shelves
- 2 Adjustable Clear Gallon Door Bins
- 2 Fixed Clear 2-Liter Door Bins
- Clear Dairy Door
- Clear Deli Drawer
- Clear Crispers
- Crisper Lighting
- 1 Humidity Control

### Freezer Section:

- 4 Fixed White Door Bins
- 3 Wire Shelves
- 1 Tall Basket

### Available In:

- White, Bisque and Black

**Frigidaire®**  
Side-By-Sides



**FRS266ZD SB**  
26.0 Cubic Feet

**Refrigerator Section:**

- UltraSoft™ Easy Care Real Stainless Steel Doors
- Stainless Steel Towel Bar Handles
- Rear-Mounted PureSource™ Filter
- Front-Mounted Cold Controls
- 4 Button Dispenser
- Crushed/Cubes/Water
- 3 SpillSafe™ Glass Shelves
- 2 Adjustable Clear Gallon Door Bins
- 2 Fixed Clear 2-Liter Door Bins
- Clear Dairy Door
- Clear Deli Drawer
- Clear Crispers
- 1 Humidity Control

**Freezer Section:**

- 4 Fixed White Door Bins
- 3 Wire Shelves
- 1 Tall Basket



**FRS26RLEC S**  
26.0 Cubic Feet

**Refrigerator Section:**

- UltraSoft™ Stainless Steel Doors
- Black Handles
- Rear-Mounted PureSource™ Filter
- Front-Mounted Cold Controls
- 4 Button Dispenser
- Crushed/Cubes/Water
- 3 SpillSafe™ Glass Shelves
- 2 Adjustable White Gallon Door Bins
- 2 Fixed White 2-Liter Door Bins
- Clear Dairy Door
- Clear Deli Drawer
- Clear Crispers
- 1 Humidity Control

**Freezer Section:**

- 4 Fixed White Door Bins
- 3 Wire Shelves
- 1 Tall Basket

*Frigidaire*<sup>®</sup>  
Side-By-Sides



**FRS6R5E MB**  
26.0 Cubic Feet

**Refrigerator Section:**

- UltraSoft™ Smooth Silver Mist Finish
- UltraSoft™ Black Handles
- Rear-Mounted PureSource™ Filter
- Front-Mounted Cold Controls
- 4 Button Dispenser
- Crushed/Cubes/Water
- 3 SpillSafe™ Glass Shelves
- 2 Adjustable White Gallon Door Bins
- 2 Fixed White 2-Liter Door Bins
- Clear Dairy Door
- Clear Deli Drawer
- Clear Crispers
- 1 Humidity Control

**Freezer Section:**

- 4 Fixed White Door Bins
- 3 Wire Shelves
- 1 Tall Basket

**Also Available:**

**FRS3R5E MB**  
22.6 Cubic Feet





**FRS6R4E W/Q/B**  
26.0 Cubic Feet

**Refrigerator Section:**

- UltraSoft™ Doors and Handles
- Rear-Mounted PureSource™ Filter
- Front-Mounted Cold Controls
- 4 Button Dispenser
- Crushed / Cubes / Water
- 3 SpillSafe™ Glass Shelves
- 2 Adjustable White Gallon Door Bins
- 2 Fixed White 2-Liter Door Bins
- Clear Dairy Door
- Clear Deli Drawer
- Clear Crispers
- 1 Humidity Control

**Freezer Section:**

- 4 Fixed White Door Bins
- 3 Wire Shelves
- 1 Tall Basket

**Available In:**

- White, Bisque and Black

**Available Spring 2005 (Q):**

**FRS3R4E W/Q/B**  
22.6 Cubic Feet



**FRS6R3E W**  
26.0 Cubic Feet

**Refrigerator Section:**

- UltraSoft™ Doors
- Rear-Mounted PureSource™ Filter
- Front-Mounted Cold Controls
- 4 Button Dispenser
- Crushed / Cubes / Water
- 3 Glass Shelves
- 2 Adjustable White Gallon Door Bins
- 2 Fixed White 2-Liter Door Bins
- Clear Dairy Door
- Clear Crispers

**Freezer Section:**

- 4 Fixed White Door Bins
- 3 Wire Shelves
- 1 Tall Basket

**Available In:**

- White

**Also Available:**

**FRS3R3E W**  
22.6 Cubic Feet

## KEY TOP MOUNT FEATURES



**Water Through-The-Door Dispenser** provides filtered, chilled water and has a slim profile design that makes it easy to fill containers of all shapes and sizes. The Child-Safe Lock prevents unintentional activation and minimizes unwanted spills. It is easily accessible yet out of the reach of children.



**Sliding SpillSafe™ Glass Shelves** are encased to catch and hold spills for easy cleanup, and slide out for easy access to all items.



**PureSource™ Ice & Water Filtration System** removes nearly all the impurities, including chlorine, lead and particulates for cleaner, fresher tasting water through-the-door and ice on the inside.



**Humidity Controlled Crispers** provide a wide range of humidity control for longer food preservation. Keeps leafy vegetables green and fresh, skinned fruits crisp and juicy.



**UltraSoft™ Doors and Handles** offer a timeless look which blends with all kitchens.



**Can Dispenser/Wine Rack** dispenses your favorite canned beverage or cradles your wine bottle in the correct storage position.



**Never Clean™ Condenser** never requires cleaning under normal household use.



**Clear Deli Drawer** is conveniently located to hold deli and snack items.



**Clear Adjustable Door Bins** offer maximum storage capacity with the convenience to lift and snap into place with one hand.



**Freezer Light** illuminates all areas of the freezer. Read labels without removing packages and find items easily.

# Professional Series®

Top Mounts



Available Early 2005:

## PLHT19WE B/K 20.6 Cubic Feet

### Refrigerator Section:

- UltraSoft™ Easy Care Real Stainless Steel Doors
- UltraSoft™ Stainless Steel Handles
- Water Through-The-Door Dispenser
- Rear-Mounted PureSource™ Filter
- 4 Half-Width Cantilever SpillSafe™ Glass Shelves (3 Sliding)
- 4 Adjustable Clear Gallon Door Bins
- 1 Fixed White Door Bin
- Clear Dairy Door
- Clear Deli Drawer
- 2 Clear Crispers
- 2 Humidity Controls
- Mid-Mount Lighting
- White Can Dispenser / Wine Rack
- Clear Tall Bottle Retainer
- Never Clean™ Condenser

### Freezer Section:

- Freezer Light
- 2 Fixed Clear Door Bins
- 1 Full-Width Shelf
- Factory Ice Maker



## PLHT219TC B/K 20.6 Cubic Feet

### Refrigerator Section:

- UltraSoft™ Stainless Steel Doors
- UltraSoft™ Stainless Steel Handles
- 4 Half-Width Cantilever SpillSafe™ Glass Shelves (3 Sliding)
- 4 Adjustable Clear Gallon Door Bins
- 1 Fixed White Door Bin
- Clear Dairy Door
- Clear Deli Drawer
- 2 Clear Crispers
- 2 Humidity Controls
- White Can Dispenser / Wine Rack
- Clear Tall Bottle Retainer
- Never Clean™ Condenser

### Freezer Section:

- Freezer Light
- 2 Fixed Clear Door Bins
- 1 Full-Width Shelf
- Factory Ice Maker



# Gallery Series®

Top Mounts



## GLRT218WD WIZ/B/L/S/K

20.6 Cubic Feet

### Refrigerator Section:

- UltraSoft™ Doors and Handles
- Water Through-The-Door Dispenser
- Rear-Mounted PureSource™ Filter
- 4 Half-Width Cantilever SpillSafe™ Glass Shelves (1 Sliding)
- 4 Adjustable Clear Gallon Door Bins
- 1 Fixed White Door Bin
- Clear Dairy Door
- Clear Deli Drawer
- 2 Clear Crispers
- 2 Humidity Controls
- Mid-Mount Lighting
- Never Clean™ Condenser

### Available In:

- Pearl White, Pearl Black and Stainless Steel



### Freezer Section:

- Freezer Light
- 2 Fixed Clear Door Bins
- 1 Full-Width Shelf
- Factory Ice Maker



## GLRT217TD W/Q/B/S/K

20.6 Cubic Feet

### Refrigerator Section:

- UltraSoft™ Doors and Handles
- 4 Half-Width Cantilever SpillSafe™ Glass Shelves (1 Sliding)
- 4 Adjustable Clear Gallon Door Bins
- 1 Fixed White Door Bin
- Clear Dairy Door
- Clear Deli Drawer
- 2 Clear Crispers
- 2 Humidity Controls
- Mid-Mount Lighting
- Never Clean™ Condenser

### Freezer Section:

- Freezer Light
- 2 Fixed Clear Door Bins
- 1 Full-Width Shelf
- Ice Trays / Bucket

### Available In:

- Pearl White, Pearl Bisque, Pearl Black and Stainless Steel



**GLRT212ID W/Q/B**  
20.5 Cubic Feet

**Refrigerator Section:**

- UltraSoft™ Doors and Handles
- 2 Sliding Full-Width SpillSafe™ Glass Shelves
- 3 Fixed White Door Bins (2 with Gallon Storage)
- Clear Dairy Door
- Clear Deli Drawer
- 2 Clear Crispers
- 2 Humidity Controls
- Never Clean™ Condenser

**Freezer Section:**

- Freezer Light
- 2 Fixed White Door Racks
- 1 Full-Width Shelf
- Factory Ice Maker

**Available In:**

- White, Bisque and Black



**GLRT13TE W/Q/B/S/K**  
20.5 Cubic Feet

**Refrigerator Section:**

- UltraSoft™ Doors and Handles
- 2 Sliding Full-Width SpillSafe™ Glass Shelves
- 3 Fixed White Door Bins (2 with Gallon Storage)
- Clear Dairy Door
- Clear Deli Drawer
- 2 Clear Crispers
- 2 Humidity Controls
- Never Clean™ Condenser

**Freezer Section:**

- Freezer Light
- 2 Fixed White Door Bins
- 1 Full-Width Shelf
- Ice Trays / Bucket

**Available In:**

- White, Bisque, Black and Stainless Steel



*Frigidaire*®

Top Mounts



**FRT1S6ES B/K**  
20.5 Cubic Feet

**Refrigerator Section:**

- UltraSoft™ Stainless Steel Doors
- UltraSoft™ Black Handles
- 2 Sliding Full-Width SpillSafe™ Glass Shelves
- 3 Fixed White Door Bins (2 with Gallon Storage)
- Clear Dairy Door
- Clear Deli Drawer
- 2 Clear Crispers
- 2 Humidity Controls
- Never Clean™ Condenser

**Freezer Section:**

- 2 Fixed White Door Bins
- 1 Full-Width Shelf
- Ice Trays/Bucket



**FRT21S6A W/Q/B**  
20.5 Cubic Feet

**Refrigerator Section:**

- UltraSoft™ Doors and Handles
- 2 Sliding Full-Width SpillSafe™ Glass Shelves
- 3 Fixed White Door Bins (2 with Gallon Storage)
- Clear Dairy Door
- Clear Deli Drawer
- 2 Clear Crispers
- 2 Humidity Controls
- Never Clean™ Condenser

**Freezer Section:**

- 2 Fixed White Door Bins
- 1 Full-Width Shelf
- Ice Trays/Bucket

**Available In:**

- White, Bisque and Black



**FRT2IHS6D W/Q/B**  
**20.5 Cubic Feet**

**Refrigerator Section:**

- UltraSoft™ Doors and Handles
- 2 Sliding Full-Width SpillSafe™ Glass Shelves
- 3 Fixed White Door Bins (2 with Gallon Storage)
- Clear Dairy Door
- Clear Deli Drawer
- 2 Clear Crispers
- 2 Humidity Controls
- Never Clean™ Condenser

**Freezer Section:**

- 2 Fixed White Door Bins
- 1 Full-Width Shelf
- Ice Trays / Bucket

**Available In:**

- White, Bisque and Black



# Professional Series®

Top Mounts



## PLHT189CS B/K 18.3 Cubic Feet

### Refrigerator Section:

- UltraSoft™ Stainless Steel Doors
- UltraSoft™ Stainless Steel Handles
- 4 Half-Width Cantilever SpillSafe™ Glass Shelves (3 Sliding)
- 4 Adjustable Clear Gallon Door Bins
- 1 Fixed White Door Bin
- Clear Dairy Door
- Clear Deli Drawer
- 2 Clear Crispers
- 2 Humidity Controls
- White Can Dispenser/Wine Rack
- Clear Tall Bottle Retainer
- Never Clean™ Condenser

### Freezer Section:

- Freezer Light
- 2 Fixed Clear Door Bins
- 1 Full-Width Shelf
- Factory Ice Maker



# Gallery Series®

Top Mounts



## GLRT188WD W/Z/B/L/S/K 18.3 Cubic Feet

### Refrigerator Section:

- UltraSoft™ Doors and Handles
- Water Through-The-Door Dispenser
- Rear-Mounted PureSource™ Filter
- 4 Half-Width Cantilever SpillSafe™ Glass Shelves (1 Sliding)
- 4 Adjustable Clear Gallon Door Bins
- 1 Fixed White Door Bin
- Clear Dairy Door
- Clear Deli Drawer
- 2 Clear Crispers
- 2 Humidity Controls
- Mid-Mount Lighting
- Never Clean™ Condenser

### Freezer Section:

- Freezer Light
- 2 Fixed White Door Bins
- 1 Full-Width Shelf
- Factory Ice Maker

### Available In:

- Pearl White, Pearl Black and Stainless Steel



## GLRT86TE W/Q/B/S/K 18.3 Cubic Feet

### Refrigerator Section:

- UltraSoft™ Doors and Handles
- 4 Half-Width Cantilever SpillSafe™ Shelves (1 Sliding)
- 4 Adjustable Clear Gallon Door Bins
- 1 Fixed White Door Bin
- Clear Dairy Door
- Clear Deli Drawer
- 2 Clear Crispers
- 2 Humidity Controls
- Mid-Mount Lighting
- Never Clean™ Condenser

### Freezer Section:

- Freezer Light
- 2 Fixed White Door Bins
- 1 Full-Width Shelf
- Ice Trays / Bucket

### Available In:

- Pearl White, Pearl Bisque, Pearl Black and Stainless Steel

# Gallery Series®

Top Mounts



## GLRT83TE S/K 18.2 Cubic Feet

### Refrigerator Section:

- UltraSoft™ Stainless Steel Doors
- UltraSoft™ Black Handles
- 2 Sliding Full-Width SpillSafe™ Glass Shelves
- 3 Fixed White Door Bins (2 with Gallon Storage)
- Clear Dairy Door
- Clear Deli Drawer
- 2 Clear Crispers
- 2 Humidity Controls
- Never Clean™ Condenser

### Freezer Section:

- Freezer Light
- 2 Fixed White Door Bins
- 1 Full-Width Shelf
- Ice Trays



## GLRTI83TD W/Q/B 18.2 Cubic Feet

### Refrigerator Section:

- UltraSoft™ Doors and Handles
- 2 Sliding Full-Width SpillSafe™ Glass Shelves
- 3 Fixed White Door Bins (2 with Gallon Storage)
- Clear Dairy Door
- Clear Deli Drawer
- 2 Clear Crispers
- 2 Humidity Controls
- Never Clean™ Condenser

### Freezer Section:

- Freezer Light
- 2 Fixed White Door Bins
- 1 Full-Width Shelf
- Ice Trays

### Available In:

- White, Bisque and Black

**Frigidaire**<sup>®</sup>  
Top Mounts



**FRT18IS6C W/Q/B**  
18.2 Cubic Feet

**Refrigerator Section:**

- UltraSoft™ Doors and Handles
- 2 Sliding Full-Width SpillSafe™ Glass Shelves
- 3 Fixed White Door Bins (2 with Gallon Storage)
- Clear Dairy Door
- Clear Deli Drawer
- 2 Clear Crispers
- 2 Humidity Controls
- Never Clean™ Condenser

**Freezer Section:**

- 2 Fixed White Door Bins
- 1 Full-Width Shelf
- Factory Ice Maker

**Available In:**

- White, Bisque and Black



**FRT8S6E S/K**  
18.2 Cubic Feet

**Refrigerator Section:**

- UltraSoft™ Stainless Steel Doors
- UltraSoft™ Black Handles
- 2 Sliding Full-Width SpillSafe™ Glass Shelves
- 3 Fixed White Door Bins (2 with Gallon Storage)
- Clear Dairy Door
- Clear Deli Drawer
- 2 Clear Crispers
- 2 Humidity Controls
- Never Clean™ Condenser

**Freezer Section:**

- 2 Fixed White Door Bins
- 1 Full-Width Shelf
- Ice Trays

*Frigidaire*<sup>®</sup>

**Top Mounts**



**FRT18S6A W/Q/B**  
**18.2 Cubic Feet**

**Refrigerator Section:**

- UltraSoft™ Doors and Handles
- 2 Sliding Full-Width SpillSafe™ Glass Shelves
- 3 Fixed White Door Bins (2 with Gallon Storage)
- Clear Dairy Door
- Clear Deli Drawer
- 2 Clear Crispers
- 2 Humidity Controls
- Never Clean™ Condenser

**Freezer Section:**

- 2 Fixed White Door Bins
- 1 Full-Width Shelf
- Ice Trays

**Available In:**

- White, Bisque and Black



**FRT18G4A W/Q**  
**18.2 Cubic Feet**

**Refrigerator Section:**

- 2 Sliding Glass Shelves
- 3 Fixed White Door Racks (1 with Gallon Storage)
- Clear Dairy Door
- Clear Deli Drawer
- 2 Clear Crispers
- 1 Humidity Control
- Static Condenser

**Freezer Section:**

- 2 Fixed White Door Racks
- 1 Full-Width Shelf
- Ice Trays

**Available In:**

- White and Bisque



**FRT8IB5E W/Q**  
18.2 Cubic Feet

**Refrigerator Section:**

- 2 Sliding Wire Shelves
- 3 Fixed White Door Racks (1 with Gallon Storage)
- Clear Dairy Door
- 2 Clear Crispers
- 1 Humidity Control
- Static Condenser

**Freezer Section:**

- 2 Fixed White Door Racks
- 1 Half-Width Shelf
- Factory Ice Maker

**Available In:**

- White and Bisque

**Also Available:**

**FRT8B5E W/Q**  
18.2 Cubic Feet

(Does Not Include Factory Ice Maker)



**FRT17G5CS B/K**  
16.5 Cubic Feet

**Refrigerator Section:**

- Stainless Steel Doors
- Black Handles
- 2 Full-Width Sliding Glass Shelves
- 2 Fixed White Door Bins with Gallon Storage
- 1 Fixed White Door Rack
- Clear Dairy Door
- Clear Deli Drawer
- 2 Clear Crispers
- 2 Humidity Controls
- Never Clean™ Condenser

**Freezer Section:**

- 2 Fixed White Door Racks
- 1 Full-Width Shelf
- Ice Trays



*Frigidaire*<sup>®</sup>

Top Mounts



**FRT17G4B W/Q**

16.5 Cubic Feet

**Refrigerator Section:**

- 2 Sliding Glass Shelves
- 2 Fixed White Door Bins with Gallon Storage
- 1 Fixed White Door Rack
- Clear Dairy Door
- Clear Deli Drawer
- 2 Clear Crispers
- 2 Humidity Controls
- Static Condenser

**Freezer Section:**

- 2 Fixed White Door Racks
- 1 Full-Width Shelf

**Available In:**

- White and Bisque

**Also Available:**

**FRT15G4B W/Q**

14.8 Cubic Feet

- 2-1/2 Fixed White Door Racks (1 with Gallon Storage)



**FRT17B3A W/Q/Z**

16.5 Cubic Feet

**Refrigerator Section:**

- 2 Sliding Wire Shelves
- 3 Fixed White Door Racks (1 with Gallon Storage)
- White Dairy Door
- 2 White Crispers
- Static Condenser

**Freezer Section:**

- 2 Fixed White Door Racks
- 1 Half-Width Shelf

**Available In:**

- White and Bisque

**Also Available:**

**FRT17IB3A W/Q/Z**

16.5 Cubic Feet

- Factory Ice Maker



**FRT15HB3D W/Q/Z**  
14.8 Cubic Feet

**Refrigerator Section:**

- 2 Sliding Wire Shelves
- 2-1/2 Fixed White Door Racks (1 with Gallon Storage)
- White Dairy Door
- 2 White Crispers
- Bright White Lighting
- Never Clean™ Condenser

**Freezer Section:**

- 2 Fixed White Door Racks
- 1 Half-Width Shelf

**Available In:**

- White and Bisque



**Also Available:**  
**FRT15B3A W/Q/Z**  
14.8 Cubic Feet

- Static Condenser (Does Not Include Bright White Lighting) (Not ENERGY STAR® Compliant)



**FRT15A2D W**  
14.8 Cubic Feet

**Refrigerator Section:**

- 2 Sliding Wire Shelves
- 2-1/2 Fixed White Door Racks (1 with Gallon Storage)
- White Dairy Door
- White Full-Width Crisper
- Static Condenser

**Freezer Section:**

- 2 Fixed White Door Racks

**Available In:**

- White

# Refrigeration Accessories



## VersaShelf (White 240424501, Clear 240424502)

Use our VersaShelf to chill soda cans, a 2-liter bottle of soda, a loaf of bread, and many other small items. Rack hooks onto the shelf for easy removal for cleaning. Universal fit on any cantilevered shelf. Available in white or clear. Size: 16.01" long.



## Ice Maker (IMI15)

Add ice-making capabilities to all top mount refrigerator models made after April 2001.



## Freezer Shelves (ISK18, ISK21)

Perfect for maximizing the space in your top mount freezer while maintaining an organized look.



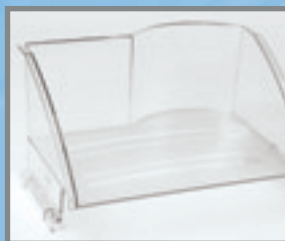
## Ice Tray (215667501)

Flexible for easy release. Our ice trays stack perfectly on each other to save space.



## Kitchen Care Kit (5304436288)

Our nonabrasive kitchen cleaners help make appliances look beautiful for years to come. Cerama Bryte cooktop cleaner works hard to remove tough, baked-on food stains and spills.



## Ice Cream Shelf (240342902)

Our ice cream shelf utilizes the unused space above the ice maker (in select models). Ice cream stays colder because of better air circulation around the box.



## Universal Refrigerator / Freezer Deodorizer (S78956)

Prevent distasteful odors from taking over your refrigerator or freezer with our universal refrigerator/freezer deodorizer. Easy to use, simply place in the area you wish to deodorize and let it do the rest!



## Wine Rack (White 5304402116, Clear 5303295947)

Haven't got space for a bottle of wine? Our handy wire rack fits adjustable shelves by hooking onto the shelf. Available in white or clear. Size: 11.94" long



## 16 oz. Stainless Steel Appliance Cleaner (5304433275)

To preserve the beautiful look of your appliances for years to come, try our nonabrasive stainless steel cleaner. Our stainless steel cleaner provides superior protection and guards against smudges. Spray-trigger is designed to work great on larger surfaces to cover more area. Helps maintain and protect all of your stainless steel appliances.



## Butter Dish (5308000716)

Perfect for storing and serving butter with your favorite meal.



**PureSource 2™ Ice & Water Filtration System (WF2CB)**

Twin carbon block filter cassette effectively protects against lead, chlorine, cysts and particulates. The no-spill cassette can be replaced with the push of a button every 400 gallons (6 to 9 months).



**PureSource Plus™ Enhanced Ice & Water Replacement Filter Cartridge (WFCB)**

Provides you with clean, fresh-tasting ice and water. This replacement water filter has been strenuously tested and certified by NSF International. It protects your family by reducing contaminants.

Fits all Frigidaire® filter-equipped refrigerator models manufactured before 2001 energy-compliant regulations.



**PureSource™ Ice & Water Filtration System (WFICB)**

Provides you with clean, fresh-tasting ice and water. Removes nearly all impurities, including chlorine and particulates. Fits all Frigidaire® rear filter-equipped models produced after April 2001.



# COUNTER-DEPTH REFRIGERATORS

Model Series	PHSC39EES** Professional	PHSC239DS Professional	GHSC39ETE** Gallery	GHSC39EE** Gallery	GHSC239D Gallery	GHSC239TD Gallery	FSC23F7DS Frigidaire	FSC23F7D Frigidaire	FSC23F7TD Frigidaire	FSC23R5D Frigidaire
ENERGY STAR®										
<b>Capacities</b>										
Total Capacity (Cu. Ft.)	22.6	22.6	22.6	22.6	22.6	22.6	22.6	22.6	22.6	22.6
Fresh Food Volume (Cu. Ft.)	14.06	14.06	14.06	14.06	14.06	14.06	14.07	14.07	14.07	14.06
Freezer Volume (Cu. Ft.)	8.51	8.51	8.51	8.51	8.51	8.51	8.53	8.53	8.53	8.58
Total Shelf Area (Sq. Ft.)	23.7	23.7	23.7	23.7	23.7	23.7	23.3	23.3	23.3	22.7
<b>Exterior Conveniences</b>										
Stainless Look Cabinet	*									
Door Panel Kit Ready*			*						*	
Door Handle	UltraSoft™ S.S.	UltraSoft™ S.S.	Extr. Full Length	UltraSoft™	UltraSoft™	Extr. Full Length	UltraSoft™ S.S.	UltraSoft™	Extr. Full Length	UltraSoft™
Dispenser	7 Button	7 Button	7 Button	7 Button	7 Button	7 Button	6 Button	6 Button	6 Button	4 Button
Water	*	*	*	*	*	*	*	*	*	*
Cubes	*	*	*	*	*	*	*	*	*	*
Crushed	*	*	*	*	*	*	*	*	*	*
Extra Ice	*	*	*	*	*	*	*	*	*	*
Extreme Freeze	*	*	*	*	*	*	*	*	*	*
Lock	*	*	*	*	*	*	*	*	*	*
Illuminated Dispenser Paddles	*	*	*	*	*	*	*	*	*	*
<b>Interior Conveniences</b>										
Filter Location	Front	Front	Front	Front	Front	Front	Front	Front	Front	Rear
Filter Type	PureSource 2™	PureSource 2™	PureSource 2™	PureSource 2™	PureSource 2™	PureSource 2™	PureSource 2™	PureSource 2™	PureSource 2™	PureSource™
Filter Change Signal	*	*	*	*	*	*	*	*	*	*
Temperature Alarm	*	*	*	*	*	*	*	*	*	*
Door Ajar Alarm	*	*	*	*	*	*	*	*	*	*
Power Failure Alarm	*	*	*	*	*	*	*	*	*	*
Lighting	Transition	Tri-Level	Transition	Transition	Tri-Level	Tri-Level	Dual-Level	Dual-Level	Dual-Level	Dual-Level
SmartFit™ Shelf	1	1	1	1	1	1				
Sliding SpillSafe™ Shelf	1	1	1	1	1	1	2	2	2	
SpillSafe™ Shelf	1	1	1	1	1	1	1	1	1	3
Adjustable Bins	2	2	2	2	2	2	2	2	2	2
Fixed Bins	2	2	2	2	2	2	2	2	2	2
Dairy Door	Clear	Clear	Clear	Clear	Clear	Clear	Clear	Clear	Clear	Clear
Fresh Lok™ Meatkeeper	Clear	Clear	Clear	Clear	Clear	Clear	Clear	Clear	Clear	Clear
Crispers	Clear	Clear	Clear	Clear	Clear	Clear	Clear	Clear	Clear	Clear
Humidity Controls	3	3	3	3	3	3	2	2	2	1
Wine Rack	Clear	Clear	Clear	Clear	Clear	Clear	Clear	Clear	Clear	
In-Door Can Rack	Clear	Clear	Clear	Clear	Clear	Clear	Clear	Clear	Clear	White
Tall Bottle Retainer	Clear	Clear	Clear	Clear	Clear	Clear	Clear	Clear	Clear	
<b>Freezer Conveniences</b>										
Door Bins	2 Clear	2 Clear	2 Clear	2 Clear	2 Clear	2 Clear	3 Clear	3 Clear	3 Clear	4 White
Shelves	2 Glass	2 Glass	2 Glass	2 Glass	2 Glass	2 Glass	2 Glass	2 Glass	2 Glass	3 Wire
Tilt-Out Wire Door Shelves	2	2	2	2	2	2	1	1	1	
Full-Extension Basket	1	1	1	1	1	1				
Tall Basket	1	1	1	1	1	1	2	2	2	1
Regular Basket	1	1	1	1	1	1				
Space-Saver Shelf	*	*	*	*	*	*	*	*	*	*
<b>Specifications</b>										
Product Weight	300 Lbs.	300 Lbs.	300 Lbs.	300 Lbs.	300 Lbs.	300 Lbs.	300 Lbs.	300 Lbs.	300 Lbs.	300 Lbs.
Shipping Weight	325 Lbs.	325 Lbs.	325 Lbs.	325 Lbs.	325 Lbs.	325 Lbs.	325 Lbs.	325 Lbs.	325 Lbs.	325 Lbs.
<b>Color / UPC (0-12505)</b>										
White (W)			69119-5			68955-0			68950-5	68812-6
Pearl White (PW)				69116-4	68952-9			68806-5		
Black (B)			69120-1			68956-7			68951-2	68813-3
Pearl Black (PB)				69117-1	68953-6			68807-2		
Stainless Steel (S)	69118-8		69121-8			68964-2			68963-5	
Stainless Steel (B)		68954-3					68948-2			68990-1

\*Order Optional Decorator Door Panel Kit or use with 1/4" Custom Cabinet Front.  
\*\*Available 2005

## OPTIONAL ACCESSORY KITS

### Decorator Door Panel Kits

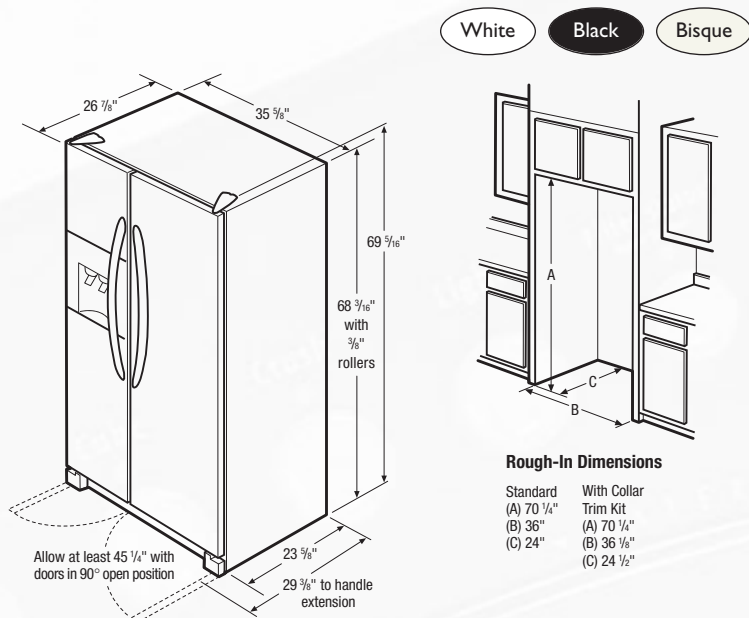
White Acrylic	(PK23CDW)
Black Acrylic	(PK23CDB)
Stainless Steel	(PK23CDS)

### Collar Trim Kits

White	(CK23CDW)
Black	(CK23CDB)
Stainless Steel	(CK23CDS)

## COUNTER-DEPTH REFRIGERATOR INSTALLATION

The following dimension and cutout information is for planning purposes only. For complete installation details consult manual packed with product, or download manual at Customer Service, online at [www.frigidaire.com](http://www.frigidaire.com).



## DOOR PANEL KIT INSTALLATION

Consult installation instructions packed with individual products for complete details.

The following instructions outline the procedure to install Decorator Door Panel Kits or custom panels on your Frigidaire® Counter-Depth Refrigerator Trim Kit models.

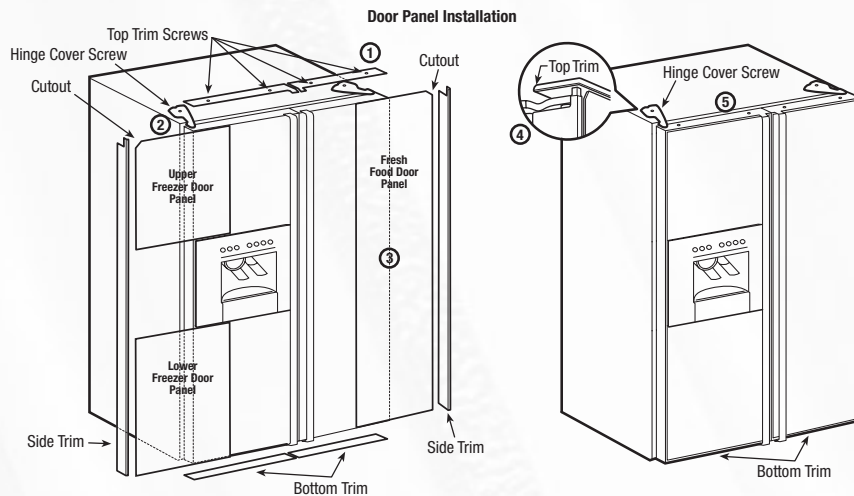
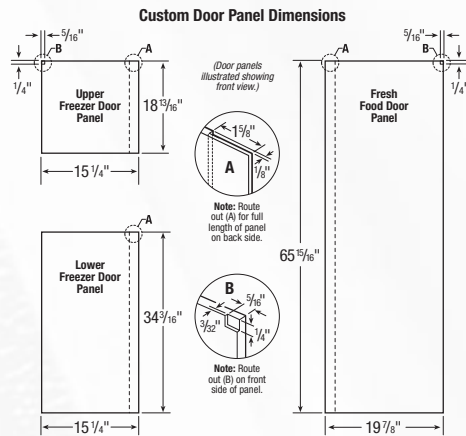
### Decorator Door Panel Kits Available:

White (PK23CDW), Black (PK23CDB) or Stainless Steel (PK23CDS).

### For Custom Door Panels:

Order your own custom door panels to match cabinetry or other décor. Panels up to 1/4" thick will fit door frames with no special preparation. Local shop-built or custom cabinet supplier may fabricate custom 1/4" panels. Refer to drawings below for exact panel dimensions and specifications. Edges must be routed to 1/4".

**Note:** When installing custom panels less than 1/4", insert spacer panel behind door panel for proper fit (spacer panel supplied with Decorator Door Panel Kit). Combined thickness of panels must total 1/4".



## INSTALLATION INSTRUCTIONS

Read each step thoroughly before proceeding.

**Tools: #2 Philips Screwdriver**

### Procedure:

**Step 1 – Loosen top trim on freezer and fresh food doors.**

**Step 2 – Remove side trim.**  
Swing bottom of side trim outward away from door to break magnetic attachment. Lower side trim to pull free of top trim.

**Step 3 – Insert panels.**

Remove protective film from panels before insertion.

**Upper Freezer Panel and Fresh Food Panel –** Cutout notch in panel is positioned to upper outside of door. Lift top trim up 1/4" and carefully push upper freezer panel in until it slides into slot behind door handle.

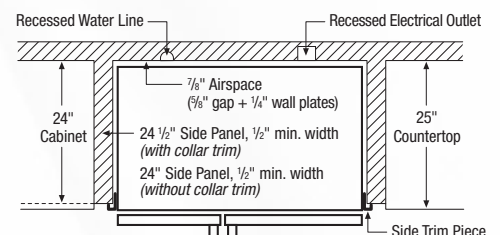
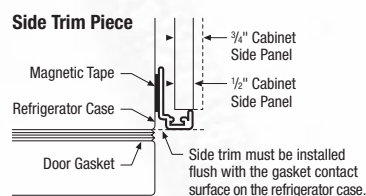
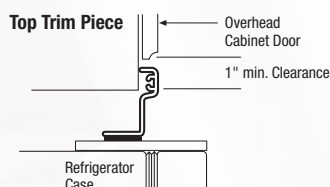
**Lower Freezer Panel –** Carefully push panel in until it slides into slot behind door handle.

**Step 4 – Install side trim.**

Slip upper front corner of side trim under top trim and swing into position. Make sure trim seats behind panel and in front of Ice & Water dispenser. Magnetic attraction will hold trim in place.

**Step 5 – Tighten screws on top trim.**

## COLLAR TRIM KIT INSTALLATION



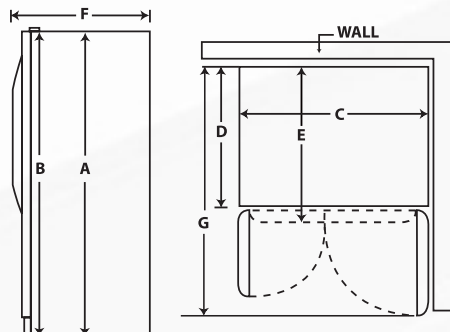
# SIDE-BY-SIDE REFRIGERATORS

Model	PLHS69EES*	PLHS269ZD	PLHS68EES*	PLHS67EES	PLHS39EES*	PLHS239ZD	PLHS37EES	GLHS69EE*	GLHS269ZD	GLHS68EE	GLHS67EE
Series	Professional	Professional	Professional	Professional	Professional	Professional	Professional	Gallery	Gallery	Gallery	Gallery
ENERGY STAR®											
<b>Capacities</b>											
Total Capacity (Cu. Ft.)	26.0	26.0	26.0	26.0	22.6	22.6	22.6	26.0	26.0	26.0	26.0
Fresh Food Volume (Cu. Ft.)	16.48	16.48	16.48	16.48	14.22	14.22	14.22	16.48	16.48	16.48	16.48
Freezer Volume (Cu. Ft.)	9.48	9.48	9.48	9.48	8.33	8.33	8.33	9.48	9.48	9.48	9.48
Total Shelf Area (Sq. Ft.)	26.9	26.9	26.9	26.9	22.8	22.8	22.8	26.9	26.9	26.9	26.9
<b>Exterior Conveniences</b>											
Stainless Look Cabinet	*				*						
Door Handle	UltraSoft™ S.S.	UltraSoft™ S.S.	UltraSoft™ S.S.	UltraSoft™ S.S.	UltraSoft™ S.S.	UltraSoft™ S.S.	UltraSoft™ S.S.	UltraSoft™	UltraSoft™	UltraSoft™	UltraSoft™
Dispenser	7 Button	7 Button	7 Button	5 Button	7 Button	7 Button	5 Button	7 Button	7 Button	6 Button	5 Button
Water	*	*	*	*	*	*	*	*	*	*	*
Cubes	*	*	*	*	*	*	*	*	*	*	*
Crushed	*	*	*	*	*	*	*	*	*	*	*
Extra Ice	*	*	*	*	*	*	*	*	*	*	*
Extreme Freeze	*	*	*	*	*	*	*	*	*	*	*
Lock	*	*	*	*	*	*	*	*	*	*	*
Illuminated Dispenser Paddles	*	*	*	*	*	*	*	*	*	*	*
<b>Interior Conveniences</b>											
Filter Location	Front	Front	Front	Front	Front	Front	Front	Front	Front	Front	Front
Filter Type	PureSource 2™	PureSource 2™	PureSource 2™	PureSource 2™	PureSource 2™	PureSource 2™	PureSource 2™	PureSource 2™	PureSource 2™	PureSource 2™	PureSource 2™
Filter Change Signal	*	*	*	*	*	*	*	*	*	*	*
Electronic Temperature Control	Digital	Electromechanical	Digital	Digital	Digital	Electromechanical	Digital	Digital	Electromechanical	Digital	Digital
Door Ajar Alarm	*	*	*	*	*	*	*	*	*	*	*
Lighting	Transition	Tri-Level	Transition	Dual-Level	Transition	Tri-Level	Dual-Level	Transition	Tri-Level	Tri-Level	Dual-Level
SmartFit™ Shelf	1	1	1	1	1	1	1	1	1	1	1
Sliding SpillSafe™ Shelf	1	1	1	1	1	1	1	1	1	1	1
SpillSafe™ Shelf	1	1	2	2	1	1	2	1	1	2	2
Glass Shelf											
Adjustable Bins	3	3	3	2	3	3	2	3	3	3	2
Fixed Bins	2	2	2	2	2	2	2	2	2	2	2
Dairy Door	Clear	Clear	Clear	Clear	Clear	Clear	Clear	Clear	Clear	Clear	Clear
Fresh Lok™ Meatkeeper / Deli Drawer	Clear	Clear	Clear	Clear	Clear	Clear	Clear	Clear	Clear	Clear	Clear
Crispers / Humidity Controls	Clear / 3	Clear / 3	Clear / 3	Clear / 2	Clear / 2	Clear / 2	Clear / 2	Clear / 3	Clear / 3	Clear / 2	Clear / 2
Can Dispenser / Wine Rack	White	Clear	White	White	White	Clear	White	White	White	White	White
Tall Bottle Retainer	Clear	Clear	Clear	Clear	Clear	Clear	Clear	Clear	Clear	Clear	Clear
<b>Freezer Conveniences</b>											
Door Bins	5	5	5	5	5	5	5	5	5	5	5
Shelves	2 Glass	2 Glass	2 Glass	2 Glass	2 Glass	2 Glass	2 Glass	2 Glass	2 Glass	2 Glass	2 Glass
Full-Extension Basket	1	1	1	1	1	1	1	1	1	1	1
Tall Basket	1	1	1	2	1	1	2	1	1	2	2
Regular Basket	1	1	1	1	1	1	1	1	1	1	1
Space-Saver Shelf	*	*	*	*	*	*	*	*	*	*	*
Pizza Rack	*	*	*	*	*	*	*	*	*	*	*
<b>Dimensions</b>											
A - Cabinet Height	68-1/4"	68-1/4"	68-1/4"	68-1/4"	68-1/4"	68-1/4"	68-1/4"	68-1/4"	68-1/4"	68-1/4"	68-1/4"
B - Total Height (with Hinge Covers)	69-3/8"	69-3/8"	69-3/8"	69-3/8"	69-3/8"	69-3/8"	69-3/8"	69-3/8"	69-3/8"	69-3/8"	69-3/8"
C - Cabinet Width	35-5/8"	35-5/8"	35-5/8"	35-5/8"	32-5/8"	32-5/8"	32-5/8"	35-5/8"	35-5/8"	35-5/8"	35-5/8"
D - Cabinet Depth	28-1/2"	28-1/2"	28-1/2"	28-1/2"	28-1/2"	28-1/2"	28-1/2"	28-1/2"	28-1/2"	28-1/2"	28-1/2"
E - Depth (including Door)	31-3/4"	31-3/4"	31-3/4"	31-3/4"	31-3/4"	31-3/4"	31-3/4"	31-3/4"	31-3/4"	31-3/4"	31-3/4"
F - Total Depth (with Handles)	33-3/4"	33-3/4"	33-3/4"	33-3/4"	33-3/4"	33-3/4"	33-3/4"	33-3/4"	33-3/4"	33-3/4"	33-3/4"
G - Total Depth (with Door 90° Open)	50"	50"	50"	50"	48"	48"	48"	50"	50"	50"	50"
Shipping Weight	300 Lbs.	300 Lbs.	300 Lbs.	300 Lbs.	285 Lbs.	285 Lbs.	285 Lbs.	300 Lbs.	300 Lbs.	300 Lbs.	300 Lbs.
<b>Color / UPC (0-12505)</b>											
White (W)								68895-9	69073-0		
Pearl White (PW)								69079-2	69076-1	69068-6	
Bisque (Q)									69074-7		
Pearl Bisque (PQ)											69069-3
Black (B)								68897-3	69075-4		
Pearl Black (PB)								69080-8	69077-8	69070-9	
Stainless Steel (B)		68927-7	69082-2	69081-5		68912-3	69108-9		69078-5		
Stainless Steel (S)	69083-9										
Silver Mist (MB)					69109-6						

\*Available 2005

## SIDE-BY-SIDE REFRIGERATOR INSTALLATION

The following dimension and cutout information is for planning purposes only. For complete installation details consult manual packed with product, or download manual at Customer Service, online at [www.frigidaire.com](http://www.frigidaire.com).



Allow 2" of clearance on hinge side of refrigerator when installing next to a wall where handle may make contact.

## BEVERAGE CENTER

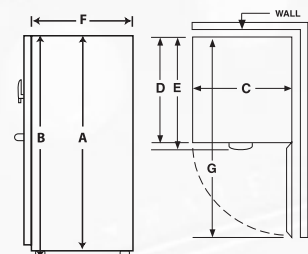
Model	PLKUI267DS
Series	Professional
<b>Exterior Conveniences</b>	
Door	Stainless Steel
Dispensing Kit	*
<b>Interior Conveniences</b>	
Auxiliary Shelves	2
Keg Capacity	16 Gallon
CO <sup>2</sup> Tank	*
<b>Dimensions</b>	
A - Cabinet Height	54-1/2"
B - Total Cabinet Height (with Opt. Casters)	59"
C - Cabinet Width	28"
D - Cabinet Depth (without Drip Tray)	26-1/2"
E - Cabinet Depth (with Drip Tray)	32-1/2"
F - Cabinet Depth (without Door)	24-1/4"
G - Total Depth (with Door 90° Open)	53-1/4"
Shipping Weight	166 Lbs.
<b>Color / UPC (0-12505)</b>	
Stainless Steel (S)	22326-6

## OPTIONAL ACCESSORIES

Caster Kit (297027300)

## BEVERAGE CENTER INSTALLATION

The following dimension and cutout information is for planning purposes only. For complete installation details consult manual packed with product, or download manual at Customer Service, online at [www.frigidaire.com](http://www.frigidaire.com).



# SIDE-BY-SIDE REFRIGERATORS

Model	GLHS66EE	GLRS64ZE	GLHS38EE	GLHS36EE	FRS266ZDS	FRS26RLECS	FRS6R5E	FRS6R4E	FRS6R3E	FRS3R5E	FRS3R4E	FRS3R3E
Series	Gallery	Gallery	Gallery	Gallery	Frigidaire	Frigidaire	Frigidaire	Frigidaire	Frigidaire	Frigidaire	Frigidaire	Frigidaire
ENERGY STAR®												
<b>Capacities</b>												
Total Capacity (Cu. Ft.)	26.0	26.0	22.6	22.6	26.0	26.0	26.0	26.0	26.0	22.6	22.6	22.6
Fresh Food Volume (Cu. Ft.)	16.48	16.48	14.22	14.22	16.48	16.46	16.46	16.46	16.46	14.22	14.22	14.22
Freezer Volume (Cu. Ft.)	9.48	9.48	8.33	8.33	9.48	9.54	9.54	9.54	9.54	8.33	8.33	8.33
Total Shelf Area (Sq. Ft.)	26.9	26.9	22.8	22.8	26.9	24.5	24.5	24.5	24.5	22.8	22.8	22.8
<b>Exterior Conveniences</b>												
Stainless Look Cabinet												
Door Handle	UltraSoft™	UltraSoft™	UltraSoft™	UltraSoft™	S.S. Towel Bar	Straight	UltraSoft™	UltraSoft™	Straight	UltraSoft™	UltraSoft™	Straight
Dispenser	5 Button	4 Button	6 Button	5 Button	4 Button	4 Button	4 Button	4 Button	4 Button	4 Button	4 Button	4 Button
Water	*	*	*	*	*	*	*	*	*	*	*	*
Cubes	*	*	*	*	*	*	*	*	*	*	*	*
Crushed	*	*	*	*	*	*	*	*	*	*	*	*
Extra Ice	*	*	*	*	*	*	*	*	*	*	*	*
Extreme Freeze												
Lock			*									
Illuminated Dispenser Paddles			*									
<b>Interior Conveniences</b>												
Filter Location	Front	Front	Front	Front	Rear	Rear	Rear	Rear	Rear	Rear	Rear	Rear
Filter Type	PureSource 2™	PureSource 2™	PureSource 2™	PureSource 2™	PureSource™	PureSource™	PureSource™	PureSource™	PureSource™	PureSource™	PureSource™	PureSource™
Filter Change Signal	*	*	*	*								
Electronic Temperature Control	-9	Electromechanical	Digital	-9	Electromechanical	Electromechanical	Electromechanical	Electromechanical	Electromechanical	Electromechanical	Electromechanical	Electromechanical
Door Ajar Alarm	*	*	*	*								
Lighting	Dual-Level	Dual-Level	Tri-Level	Dual-Level								
SmartFit™ Shelf												
Sliding SpillSafe™ Shelf			1									
SpillSafe™ Shelf	3	3		3	3	3	3	3		3	3	
Glass Shelf									3			3
Adjustable Bins	2	2	3	2	2	2	2	2	2	2	2	2
Fixed Bins	2	2	2	2	2	2	2	2	2	2	2	2
Dairy Door	Clear	Clear	Clear	Clear	Clear	Clear	Clear	Clear	Clear	Clear	Clear	Clear
Fresh Lok™ Meatkeeper / Deli Drawer	Clear	Clear	Clear	Clear	Clear	Clear	Clear	Clear	Clear	Clear	Clear	Clear
Crispers / Humidity Controls	Clear / 2	Clear / 1	Clear / 2	Clear / 2	Clear / 1	Clear / 1	Clear / 1	Clear / 1	Clear / 0	Clear / 1	Clear / 1	Clear / 0
Can Dispenser / Wine Rack			White									
Tall Bottle Retainer			Clear									
<b>Freezer Conveniences</b>												
Door Bins	4	4	5	4	4	4	4	4	4	4	4	4
Shelves	2 Wire	3 Wire	2 Glass	2 Wire	3 Wire	3 Wire	3 Wire	3 Wire	3 Wire	3 Wire	3 Wire	3 Wire
Full-Extension Basket												
Tall Basket	2	1	2	2	1	1	1	1	1	1	1	1
Regular Basket												
Space-Saver Shelf			*									
Pizza Rack	*											
<b>Dimensions</b>												
A - Cabinet Height	68-1/4"	68-1/4"	68-1/4"	68-1/4"	68-1/4"	68-1/4"	68-1/4"	68-1/4"	68-1/4"	68-1/4"	68-1/4"	68-1/4"
B - Total Height (with Hinge Covers)	69-3/8"	69-3/8"	69-3/8"	69-3/8"	69-3/8"	69-3/8"	69-3/8"	69-3/8"	69-3/8"	69-3/8"	69-3/8"	69-3/8"
C - Cabinet Width	35-5/8"	35-5/8"	32-5/8"	32-5/8"	35-5/8"	35-5/8"	35-5/8"	35-5/8"	35-5/8"	32-5/8"	32-5/8"	32-5/8"
D - Cabinet Depth	28-1/2"	28-1/2"	28-1/2"	28-1/2"	28-1/2"	28-1/2"	28-1/2"	28-1/2"	28-1/2"	28-1/2"	28-1/2"	28-1/2"
E - Depth (including Door)	31-3/4"	31-3/4"	31-3/4"	31-3/4"	31-3/4"	31-3/4"	31-3/4"	31-3/4"	31-3/4"	31-3/4"	31-3/4"	31-3/4"
F - Total Depth (with Handles)	33-3/4"	33-3/4"	33-3/4"	33-3/4"	33-3/4"	33-3/4"	33-3/4"	33-3/4"	33-3/4"	33-3/4"	33-3/4"	33-3/4"
G - Total Depth (with Door 90° Open)	50"	50"	48"	48"	50"	50"	50"	50"	50"	48"	48"	48"
Shipping Weight	300 Lbs.	300 Lbs.	285 Lbs.	285 Lbs.	300 Lbs.	300 Lbs.	300 Lbs.	300 Lbs.	300 Lbs.	285 Lbs.	285 Lbs.	285 Lbs.
<b>Color / UPC (0-12505)</b>												
White (W)	69064-8	69061-7	69103-4	69099-0				69058-7	69145-4		69123-2	69144-7
Pearl White (PW)			69105-8									
Bisque (Q)	69065-5	69062-4	69104-1	69100-3				69146-1			69156-0*	
Pearl Bisque (PQ)												
Black (B)	69066-2	69063-1		69101-0				69147-8			69136-2	
Pearl Black (PB)			69106-5									
Stainless Steel (B)	69067-9		69107-2	69102-7	68957-4							
Stainless Steel (S)						68770-9						
Silver Mist (MB)							69060-0			69098-3		

\*Available 2005

## TWINS

34 Cu. Ft. Model	PLRUI777S PLFUI777S
Series	Professional
<b>Capacities</b>	
Total Capacity (Cu. Ft.)	33.7
Fresh Food Volume (Cu. Ft.)	16.9
Freezer Volume (Cu. Ft.)	16.8
Total Shelf Area (Sq. Ft.)	34.8
Fresh Food Shelf Area (Sq. Ft.)	17.74
Freezer Shelf Area (Sq. Ft.)	17.04
<b>Exterior Conveniences</b>	
Door Handle	UltraSoft™ S.S.
<b>Interior Conveniences</b>	
Lighting	2 - 40W 4" Long Tubular per Unit
Fresh Food Shelves	3 Full-Width Cant.
Glass Shelf	1 Fixed
Adjustable Bins	4
Fixed Bins	1
Dairy Door	Clear
Deli Drawer	Clear
Crispers / Humidity Controls	Clear / 1
<b>Freezer Conveniences</b>	
Door Bins	3 Full-Width / 2 Tilt-Out Wire
Shelves	3 Cant. (1 Sliding)
Full Access Baskets	2 Full-Width Sliding

### Dimensions

A - Height	64-1/2"
B - Width	64-1/4"
C - Depth (including Door)	26-1/2"
D - Depth with Door Open 90°	57-1/4"
Shipping Weight Refrigerator (Crated)	227 Lbs.
Shipping Weight Refrigerator (Uncrated)	205 Lbs.
Shipping Weight Freezer (Crated)	229 Lbs.
Shipping Weight Freezer (Uncrated)	207 Lbs.

### Color / UPC (0-12505)

Stainless Steel (S) Refrigerator	22315-0
Stainless Steel (S) Freezer	22322-8

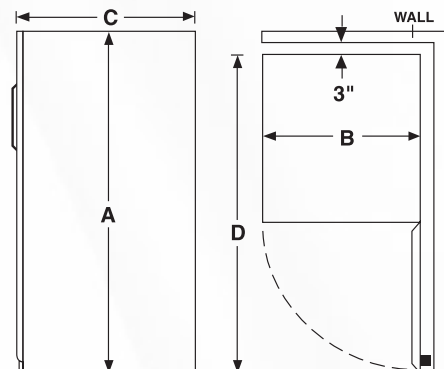
White

Black

Bisque

## TWINS INSTALLATION

The following dimension and cutout information is for planning purposes only. For complete installation details consult manual packed with product, or download manual at Customer Service, online at [www.frigidaire.com](http://www.frigidaire.com).



TOP MOUNT REFRIGERATORS

21 Cu. Ft. Model	PLHT19WE*	PLHT219TC	GLRT218WD	GLRT217TD	GLRT212ID	GLRT13TE	FRT1S6ES	FRT21HS6D	FRT21S6A	
Series	Professional	Professional	Gallery	Gallery	Gallery	Gallery	Frigidaire	Frigidaire	Frigidaire	
ENERGY STAR®										
<b>Capacities</b>										
Total Capacity (Cu. Ft.)	20.6	20.6	20.6	20.6	20.5	20.5	20.5	20.5	20.5	
Fresh Food Volume (Cu. Ft.)	15.34	15.34	15.35	15.35	15.27	15.27	15.27	15.27	15.27	
Freezer Volume (Cu. Ft.)	5.26	5.26	5.26	5.26	5.26	5.26	5.26	5.26	5.26	
Total Shelf Area (Sq. Ft.)	25.0	25.4	24.4	24.4	24.6	24.6	24.5	24.5	24.5	
<b>Exterior Conveniences</b>										
Door Handle	UltraSoft™ S.S.	UltraSoft™ S.S.	UltraSoft™	UltraSoft™	UltraSoft™	UltraSoft™	UltraSoft™	UltraSoft™	UltraSoft™	
Water Through-The-Door Dispenser	*		*							
<b>Interior Conveniences</b>										
Filter Location	Rear		Rear							
Filter Type	PureSource™		PureSource™							
Fresh Food Shelves	4 Half-Width Cant. SpillSafe™ Glass (3 Sliding)	4 Half-Width Cant. SpillSafe™ Glass (3 Sliding)	4 Half-Width Cant. SpillSafe™ Glass (1 Sliding)	4 Half-Width Cant. SpillSafe™ Glass (1 Sliding)	2 Full-Width Cant. SpillSafe™ Glass (2 Sliding)	2 Full-Width SpillSafe™ Glass (2 Sliding)	2 Full-Width SpillSafe™ Glass (2 Sliding)	2 Full-Width SpillSafe™ Glass (2 Sliding)	2 Full-Width SpillSafe™ Glass (2 Sliding)	
Adjustable Bins	4	4	4	4						
Door Racks / Bins	1	1	1	1	3	3	3	3	3	
Dairy Door	Clear	Clear	Clear	Clear	Clear	Clear	Clear	Clear	Clear	
Meat / Deli Drawer	Clear	Clear	Clear	Clear	Clear	Clear	Clear	Clear	Clear	
Crispers / Humidity Controls	Clear / 2	Clear / 2	Clear / 2	Clear / 2	Clear / 2	Clear / 2	Clear / 2	Clear / 2	Clear / 2	
Can Dispenser / Wine Rack	White	White								
Tall Bottle Retainer	Clear	Clear								
Lighting	Mid-Mount		Mid-Mount	Mid-Mount						
Freezer Light	*	*	*	*	*	*	*	*	*	
Ice Trays										
Factory Ice Maker	*	*	*	*	*	*	*	*	*	
Condenser	Never Clean™	Never Clean™	Never Clean™	Never Clean™	Never Clean™	Never Clean™	Never Clean™	Never Clean™	Never Clean™	
<b>Dimensions</b>										
A - Cabinet Height	68-1/4"	68-1/4"	68-1/4"	68-1/4"	68-1/4"	68-1/4"	68-1/4"	68-1/4"	68-1/4"	
B - Total Height (w/Hinge Covers)	69"	69"	69"	69"	69"	69"	69"	69"	69"	
C - Cabinet Width	29-5/8"	29-5/8"	29-5/8"	29-5/8"	29-5/8"	29-5/8"	29-5/8"	29-5/8"	29-5/8"	
D - Cabinet Depth	28-1/2"	28-1/2"	28-1/2"	28-1/2"	28-1/2"	28-1/2"	28-1/2"	28-1/2"	28-1/2"	
E - Depth (including Door)	31-3/4"	31-3/4"	31-3/4"	31-3/4"	31-3/4"	31-3/4"	31-3/4"	31-3/4"	31-3/4"	
F - Total Depth (with Handles)	33-3/4"	33-3/4"	33-3/4"	33-3/4"	33-3/4"	33-3/4"	33-3/4"	33-3/4"	33-3/4"	
G - Total Depth (Door 90° Open)	60"	60"	60"	60"	60"	60"	60"	60"	60"	
Shipping Weight	220 Lbs.	220 Lbs.	220 Lbs.	220 Lbs.	220 Lbs.	220 Lbs.	220 Lbs.	220 Lbs.	220 Lbs.	
<b>Color / UPC (0-12505)</b>										
White (W)			66876-0	66889-0	66793-0	66965-1		66779-4	66118-1	
Bisque (Q)			66890-6	66794-7	66966-8		66796-1	66119-8		
Black (B)			66878-4	66891-3	66795-4	66967-5		66780-0	66160-0	
Stainless Steel (B)	66984-2	66558-5					67017-6			
Stainless Steel (S)			66882-1	66892-0		66968-2				
Reverse Swing Door –										
Stainless Steel (K)	66985-9	66559-2	66883-8	66893-7		67001-5	67018-3			
White (Z)			66879-1							
Bisque (T)										
Black (L)			66881-4							


\*Available 2005

18 Cu Ft. Model	PLHT189CS	GLRT188WD	GLRT86TE	GLRT83TE	GLRT183TD	FRT18IS6C	FRT8S6E	FRT18S6A	FRT18G4A	FRT8IB5E	FRT8B5E
Series	Professional	Gallery	Gallery	Gallery	Gallery	Frigidaire	Frigidaire	Frigidaire	Frigidaire	Frigidaire	Frigidaire
ENERGY STAR®											
<b>Capacities</b>											
Total Capacity (Cu. Ft.)	18.3	18.3	18.3	18.2	18.2	18.2	18.2	18.2	18.2	18.2	18.2
Fresh Food Volume (Cu. Ft.)	14.27	14.21	14.21	14.13	14.13	14.13	14.13	14.13	14.13	14.13	14.13
Freezer Volume (Cu. Ft.)	4.07	4.07	4.07	4.07	4.07	4.07	4.07	4.07	4.07	4.07	4.07
Total Shelf Area (Sq. Ft.)	22.4	22.4	22.4	22.6	22.6	22.6	22.6	22.6	22.3	19.5	19.5
<b>Exterior Conveniences</b>											
Door Handle	UltraSoft™ S.S.	UltraSoft™	UltraSoft™	UltraSoft™	UltraSoft™	UltraSoft™	UltraSoft™	UltraSoft™	Straight	Straight	Straight
Water Through-The-Door Dispenser	*										
<b>Interior Conveniences</b>											
Filter Location		Rear									
Filter Type		PureSource™									
Fresh Food Shelves	4 Half-Width Cant. SpillSafe™ Glass (3 Sliding)	4 Half-Width Cant. SpillSafe™ Glass (1 Sliding)	4 Half-Width Cant. SpillSafe™ Glass (1 Sliding)	2 Full-Width SpillSafe™ Glass (2 Sliding)	2 Full-Width SpillSafe™ Glass (2 Sliding)	2 Full-Width SpillSafe™ Glass (2 Sliding)	2 Full-Width SpillSafe™ Glass (2 Sliding)	2 Full-Width SpillSafe™ Glass (2 Sliding)	2 Sliding Glass	2 Sliding Wire	2 Sliding Wire
Adjustable Bins	4	4	4								
Door Racks / Bins	1	1	1	3	3	3	3	3	3	3	3
Dairy Door	Clear	Clear	Clear	Clear	Clear	Clear	Clear	Clear	Clear	Clear	Clear
Meat / Deli Drawer	Clear	Clear	Clear	Clear	Clear	Clear	Clear	Clear	Clear	Clear	Clear
Crispers / Humidity Controls	Clear / 2	Clear / 2	Clear / 2	Clear / 2	Clear / 2	Clear / 2	Clear / 2	Clear / 2	Clear / 1	Clear / 1	Clear / 1
Can Dispenser / Wine Rack	White										
Tall Bottle Retainer	Clear										
Lighting		Mid-Mount	Mid-Mount								
Freezer Light	*	*	*	*	*	*	*	*	*	*	*
Ice Trays											
Factory Ice Maker	*	*	*	*	*	*	*	*	*	*	*
Condenser	Never Clean™	Never Clean™	Never Clean™	Never Clean™	Never Clean™	Never Clean™	Never Clean™	Never Clean™	Static	Static	Static
<b>Dimensions</b>											
A - Cabinet Height	65-3/8"	65-3/8"	65-3/8"	65-3/8"	65-3/8"	65-3/8"	65-3/8"	65-3/8"	65-3/8"	65-3/8"	65-3/8"
B - Total Height (w/Hinge Covers)	66-1/8"	66-1/8"	66-1/8"	66-1/8"	66-1/8"	66-1/8"	66-1/8"	66-1/8"	66-1/8"	66-1/8"	66-1/8"
C - Cabinet Width	29-5/8"	29-5/8"	29-5/8"	29-5/8"	29-5/8"	29-5/8"	29-5/8"	29-5/8"	29-5/8"	29-5/8"	29-5/8"
D - Cabinet Depth	26-5/8"	26-5/8"	26-5/8"	26-5/8"	26-5/8"	26-5/8"	26-5/8"	26-5/8"	28-3/8"	28-3/8"	28-3/8"
E - Depth (including Door)	29-7/8"	29-7/8"	29-7/8"	29-7/8"	29-7/8"	29-7/8"	29-7/8"	29-7/8"	31-5/8"	31-5/8"	31-5/8"
F - Total Depth (with Handles)	32-3/8"	32-1/8"	32-1/8"	32-1/8"	32-1/8"	32-1/8"	32-1/8"	32-1/8"	33-5/8"	33-5/8"	33-5/8"
G - Total Depth (Door 90° Open)	58-1/8"	58-1/8"	58-1/8"	58-1/8"	58-1/8"	58-1/8"	58-1/8"	58-1/8"	59-7/8"	59-7/8"	59-7/8"
Shipping Weight	205 Lbs.	205 Lbs.	205 Lbs.	205 Lbs.	205 Lbs.	205 Lbs.	205 Lbs.	205 Lbs.	205 Lbs.	205 Lbs.	205 Lbs.
<b>Color / UPC (0-12505)</b>											
White (W)		74149-4	74430-3		66787-9	73967-5		73390-1	73519-6	74395-5	74392-4
Bisque (Q)			74431-0		66788-6	73968-2		73391-8	73520-2	74396-2	74393-1
Black (B)		66887-6	74432-7		66789-3	66867-8		66213-3			
Stainless Steel (B)	73981-1										
Stainless Steel (S)		74151-7	74433-4	74422-8			74428-0				
Reverse Swing Door –											
Stainless Steel (K)	73982-8	74152-4	74434-1	74423-5			74429-7				
White (Z)		74260-6									
Bisque (T)											
Black (L)		66888-3									

Specifications subject to change.

## TOP MOUNT REFRIGERATORS

17 Cu. Ft. Model	FRT17G5CS	FRT17G4B	FRT17B3A	FRT17B3A
Series	Frigidaire	Frigidaire	Frigidaire	Frigidaire
ENERGY STAR®				
<b>Capacities</b>				
Total Capacity (Cu. Ft.)	16.5	16.5	16.5	16.5
Fresh Food Volume (Cu. Ft.)	12.76	12.76	12.76	12.76
Freezer Volume (Cu. Ft.)	3.74	3.74	3.74	3.74
Total Shelf Area (Sq. Ft.)	20.6	21.0	18.2	18.2
<b>Exterior Conveniences</b>				
Door Handle	Straight	Straight	Straight	Straight
<b>Interior Conveniences</b>				
Fresh Food Shelves	2 Full-Width Sliding Glass	2 Full-Width Sliding Glass	2 Full-Width Sliding Wire	2 Full-Width Sliding Wire
Adjustable Bins				
Door Rack / Bins	3	3	3	3
Dairy Door	Clear	Clear	White	White
Meat / Deli Drawer	Clear	Clear		
Crispers / Humidity Controls	Clear / 2	Clear / 2	White	White
Can Dispenser / Wine Rack				
Tall Bottle Retainer				
Freezer Light				
Ice Trays	*			
Factory Ice Maker			*	
Condenser	Never Clean™	Static	Static	Static
<b>Dimensions</b>				
A - Cabinet Height	64-3/8"	64-3/8"	64-3/8"	64-3/8"
B - Total Height (w/Hinge Covers)	65-1/8"	65-1/8"	65-1/8"	65-1/8"
C - Cabinet Width	28"	28"	28"	28"
D - Cabinet Depth	26-5/8"	28-3/8"	28-3/8"	28-3/8"
E - Depth (including Door)	29-3/8"	31-1/8"	31-1/8"	31-1/8"
F - Total Depth (with Handles)	31-3/8"	33-1/8"	33-1/8"	33-1/8"
G - Total Depth (Door 90° Open)	56"	57-3/4"	57-3/4"	57-3/4"
Shipping Weight	190 Lbs.	190 Lbs.	190 Lbs.	190 Lbs.
<b>Color / UPC (0-12505)</b>				
White (W)		73819-7	73650-6	73388-8
Bisque (Q)		73820-3	73651-3	73389-5
Black (B)				
Stainless Steel (B)	73909-5			
Stainless Steel (S)				
Reverse Swing Door –				
Stainless Steel (K)	73910-1			
White (Z)			73652-0	73648-3
Bisque (T)				

15 Cu. Ft. Model	FRT15G4B	FRT15HB3D	FRT15B3A	FRT15A2D
Series	Frigidaire	Frigidaire	Frigidaire	Frigidaire
ENERGY STAR®				
<b>Capacities</b>				
Total Capacity (Cu. Ft.)	14.8	14.8	14.8	14.8
Fresh Food Volume (Cu. Ft.)	11.01	11.01	11.01	11.01
Freezer Volume (Cu. Ft.)	3.74	3.74	3.74	3.74
Total Shelf Area (Sq. Ft.)	20.3	17.8	17.8	16.9
<b>Exterior Conveniences</b>				
Door Handle	Straight	Straight	Straight	Recessed
<b>Interior Conveniences</b>				
Fresh Food Shelves	2 Full-Width Sliding Glass	2 Full-Width Sliding Wire	2 Full-Width Sliding Wire	2 Full-Width Sliding Wire
Adjustable Bins				
Door Racks / Bins	2-1/2	2-1/2	2-1/2	2-1/2
Dairy Door	Clear	White	White	White
Meat / Deli Drawer	Clear			
Crispers / Humidity Controls	Clear / 2	White	White	Full-Width White
Can Dispenser / Wine Rack				
Tall Bottle Retainer				
Freezer Light				
Ice Trays				
Factory Ice Maker				
Condenser	Static	Never Clean™	Static	Static
<b>Dimensions</b>				
A - Cabinet Height	59-3/8"	59-3/8"	59-3/8"	59-3/8"
B - Total Height (w/Hinge Covers)	60-1/8"	60-1/8"	60-1/8"	60-1/8"
C - Cabinet Width	28"	28"	28"	28"
D - Cabinet Depth	28-3/8"	26-5/8"	28-3/8"	28-3/8"
E - Depth (including Door)	31-1/8"	29-3/8"	31-1/8"	31-1/8"
F - Total Depth (with Handles)	33-1/8"	31-3/8"	33-1/8"	31-1/8"
G - Total Depth (Door 90° Open)	57-3/4"	56"	57-3/4"	57-3/4"
Shipping Weight	175 Lbs.	175 Lbs.	175 Lbs.	175 Lbs.
<b>Color / UPC (0-12505)</b>				
White (W)	73817-3	74141-8	73383-3	74159-3
Bisque (Q)	73818-0	74142-5	73384-0	
Black (B)				
Stainless Steel (B)				
Stainless Steel (S)				
Reverse Swing Door –				
Stainless Steel (K)				
White (Z)		74143-2	73535-6	
Bisque (T)				

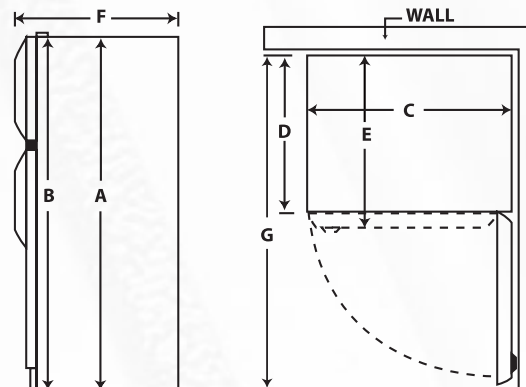
White

Black

Bisque

## TOP MOUNT REFRIGERATOR INSTALLATION

The following dimension and cutout information is for planning purposes only. For complete installation details consult manual packed with product, or download manual at Customer Service, online at [www.frigidaire.com](http://www.frigidaire.com).



Allow 2" of clearance on hinge side of refrigerator when installing next to a wall where handle may make contact.

## Frigidaire® Refrigeration Products

### FULL ONE-YEAR WARRANTY

Every Electrolux Home Products refrigerator is guaranteed to be free of materials defects or component malfunctions. Electrolux Home Products will repair, without charge, any problem that occurs during the first year after original date of purchase.\*

### LIMITED 2<sup>ND</sup> - 5<sup>TH</sup> YEAR WARRANTY

#### Cabinet Liner, Refrigerating Systems

Electrolux Home Products will provide a replacement for any defective part(s) for the cabinet liner and/or sealed refrigerator systems that break due to defects in materials or workmanship (not customer abuse), for the second through fifth years from original date of purchase.\*

Transportation costs required because of service are the responsibility of the consumer.

\*Some restrictions may apply for Alaska.

This warranty is provided by Electrolux Home Products North America, a division of Electrolux Home Products Inc. in the U.S.A., and in Canada by Electrolux Canada Corp. For complete warranty details, please refer to your Owner's Manual.

High standards of quality at Electrolux Home Products mean we are constantly working to improve our products. We reserve the right to change specifications or discontinue models without notice.

### PARTS AND SERVICE

Wherever you live or move in the U.S.A., our national network of authorized independent service companies provide prompt, professional repair service. To maintain warranties, always ask for Electrolux Home Products Genuine Renewal Parts.



## ELECTROLUX

### THE WORLD'S NUMBER ONE CHOICE

Every Frigidaire® appliance is backed by the global strength of the Electrolux Group, the world's largest producer of kitchen, cleaning and outdoor appliances combined.

*Frigidaire*®

USA  
250 Bobby Jones Expressway, Martinez, GA 30907  
1-800-FRIGIDAIRE • <http://www.frigidaire.com>

CANADA  
5855 Terry Fox Way, Mississauga, ON L5V 3E4  
1-800-668-4606

 **The Electrolux Group. The world's No. 1 choice.**  
KITCHEN, CLEANING AND OUTDOOR APPLIANCES COMBINED

