



INSTALLATION INSTRUCTIONS FOR PART 99-7812B

Honda Civic LX 2016-up 99-7812B

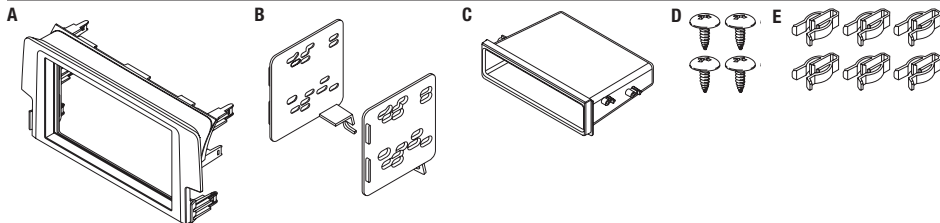


KIT FEATURES

- ISO DIN radio provision with pocket
- *Painted scratch resistant matte black*

KIT COMPONENTS

- A) Radio trim panel • B) Radio brackets • C) Pocket • D) (4) #8 x 3/8" Phillips screws • E) (6) Plastic panel clips



WIRING & ANTENNA CONNECTIONS (sold separately)

- Wire harness: • 70-1731 • XSVI-1731-NAV (Only required to retain NAV outputs)
 Antenna adapter: • 40-HD11

Table of Contents

Dash Disassembly	2
Kit Assembly	3

TOOLS REQUIRED

- Panel removal tool • Phillips screwdriver

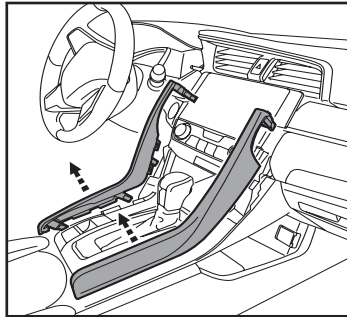
CAUTION! All accessories, switches, climate controls panels, and especially air bag indicator lights must be connected before cycling the ignition. Also, do not remove the factory radio with the key in the on position, or while the vehicle is running.

REV. 4/5/2016 INST99-7812B

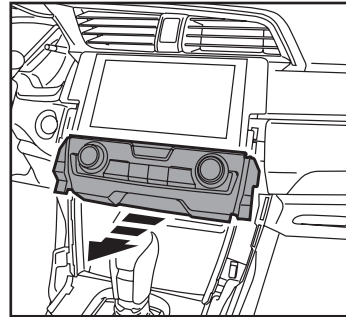
Dash Disassembly

1. Unsnap and remove the side trim panels from the center console. (Figure A)
2. Unsnap and remove the climate control panel. (Figure B)
3. Remove (2) Philips screws securing the radio and then remove. (Figure C)

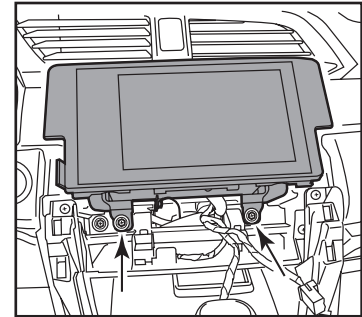
Continue to kit assembly



(Figure A)



(Figure B)

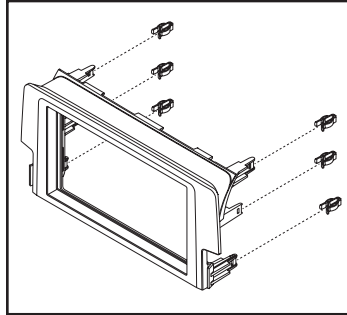


(Figure C)

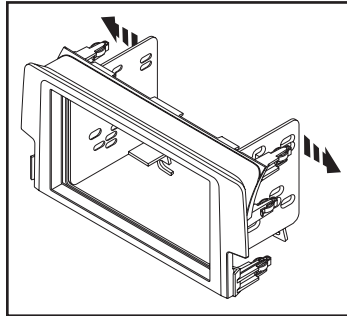
Kit Assembly

ISO DIN radio provision with pocket

1. Attach the supplied (6) *plastic clips* to the *radio trim panel*. (Figure A)
2. Attach the *radio brackets* to the *radio trim panel*. (Figure B)
3. Attach the *pocket* to the bracket/panel assembly using the (4) #8 x 3/8" Phillips screws provided. (Figure C)
4. Remove the metal DIN sleeve and trim ring from the aftermarket radio. (Figure D)
5. Slide the radio into the assembly, and then secure it using the screws supplied with the radio. (Figure D)

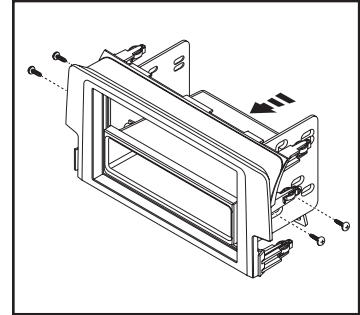


(Figure A)

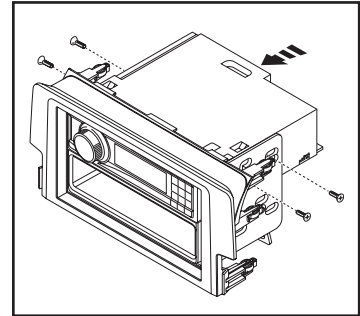


(Figure B)

6. Locate the factory wiring harness and antenna connector in the dash and complete all necessary connections to the radio. Metra recommends using the proper mating adapter from Metra and/or AXCESS. Test the radio for proper operation.
7. Install the completed assembly into the dash, and then reassemble the dash in reverse order of disassembly.



(Figure C)



(Figure D)



INSTALLATION INSTRUCTIONS FOR PART 99-7812B



IMPORTANT

If you are having difficulties with the installation of this product, please call our Tech Support line at 1-800-253-TECH. Before doing so, look over the instructions a second time, and make sure the installation was performed exactly as the instructions are stated. Please have the vehicle apart and ready to perform troubleshooting steps before calling.



KNOWLEDGE IS POWER

Enhance your installation and fabrication skills by enrolling in the most recognized and respected mobile electronics school in our industry. Log onto www.installerinstitute.com or call 800-354-6782 for more information and take steps toward a better tomorrow.



Metra recommends MECP certified technicians

REV. 4/5/2016 INST99-7812B