

810919 SIDE-TRIM INSTALLATION INSTRUCTIONS

CONTAINS:

<u>QUANTITY</u>	<u>PART NUMBER</u>	<u>DESCRIPTION</u>
2	810918	Trim, Pivot Extrusion Assy- SS
2	808442	Trim, Pivot Extrusion Assy- Black
1	801048	Rubber Gasket, Cooktop Surround
1	810920	Instructions

PROCEDURE:

IMPORTANT NOTE: *This kit is for gaps wider than 1/8" up to 7/16".*

This side trim kit is for the SRT, Dual Fuel, Range and Rangetop and is designed to hide the gap between unit and countertop edge. The kit contains two black trim pieces and two stainless steel colored trim pieces, for customer preference.

Using the provided foam tape as a gap filler, place on both sides of trim piece. Depending on the gap size, it may be necessary to add layers of foam on the trim piece flange in order to achieve a snug fit after installation. It is also important to make sure that the foam tape is added equally to both sides of the flange to keep the trim piece centered in the gap (See Figure 1). Push trim piece into the gap between countertop and unit (See Figure 2).

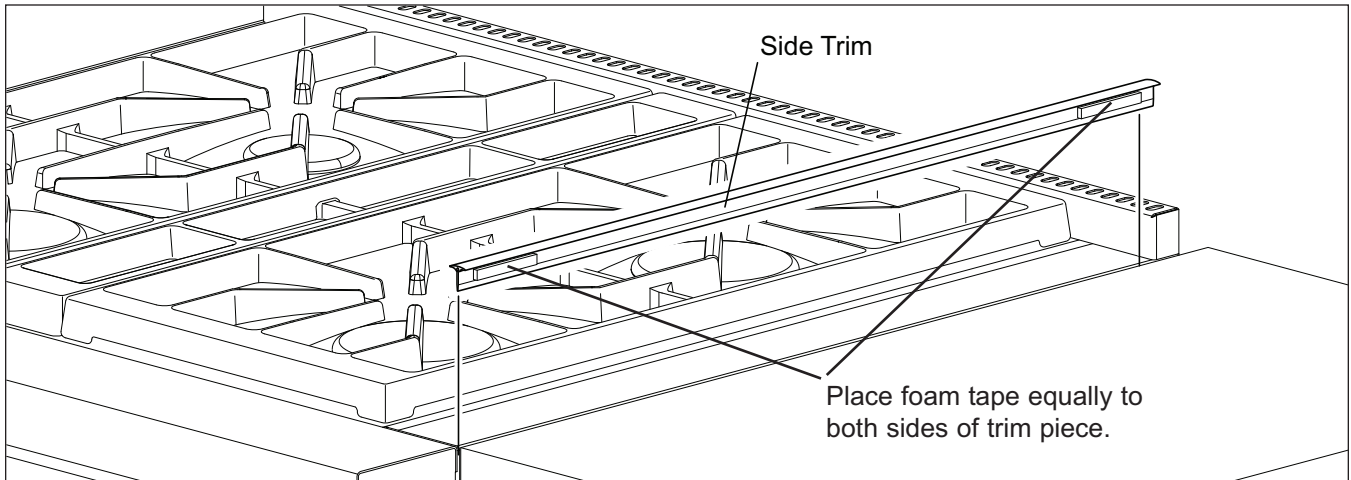


Figure 1

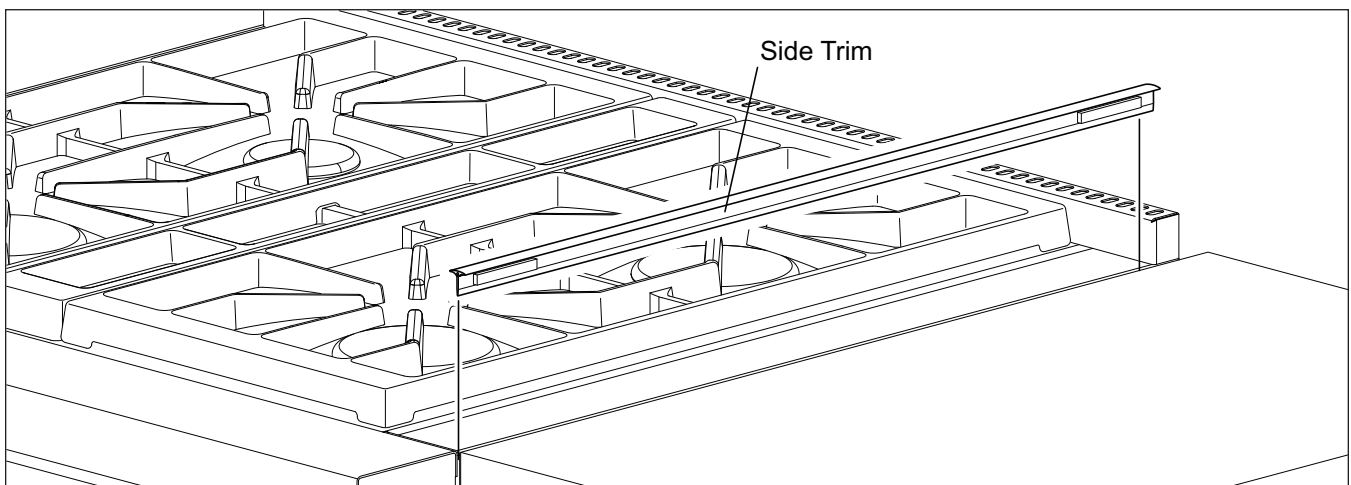


Figure 2