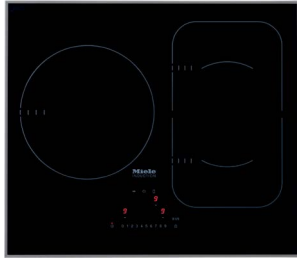


24" Induction Cooktop

KM 6320



24" Induction Cooktop KM 6320



Features:

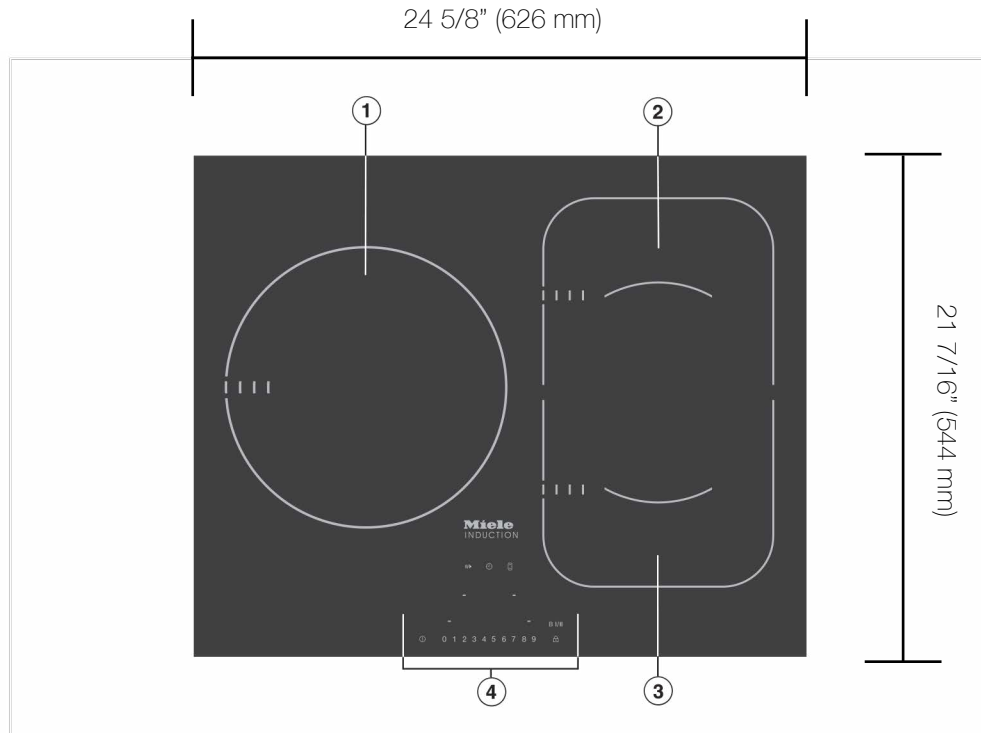
- 3 cooking zones
 - (1) vario zone of 7-11"
 - (2) vario zones of 6-9"
- (1) PowerFlex zone — PowerFlex technology combines two zones into a unique large zone (9x15"), up to 7,7kW
- TwinBooster function
- Con@ctivity 2.0 — communication between cooktop and hood
- Direct Selection controls, default power level 1-9, extended 1-12
- Stop&Go function
- Auto heat-up
- Pan size recognition
- Timer
- Overheating protection
- Child safety lock and safety switch-off

SPECIFICATIONS

SPECIFICATIONS	
KM 6320 Induction Cooktop	Item 26632052USA
Product Dimensions	24 ⁵ / ₈ " (626 mm) W x 4 ³ / ₄ " (121 mm) H x 21 ⁷ / ₁₆ " (544 mm) D
Cut-out Dimensions	22 ⁵ / ₁₆ " (567 mm) W x 20 ³ / ₈ " (518 mm) D
Minimum Back Spacing From Wall	2" (50 mm)
Minimum Countertop Thickness	1 ¹ / ₈ " (29 mm)
Maximum Countertop Thickness	1 ⁹ / ₁₆ " (40 mm)
Minimum Recommended distance to ventilation hood	24" (610 mm)
Electrical	
Electrical Requirements	208V, 60Hz, 40 Amps, 6700W 240V, 60Hz, 40 Amps, 7700W
Power Cable	3' 11 ¹ / ₄ " (1.2 m)
Shipping	
Shipping Weight	44.6 lbs
Shipping Dimensions	28 ⁷ / ₃₂ " W x 7 ⁹ / ₃₂ " H x 26 ²¹ / ₃₂ " D
Support	
Call Miele	800.843.7231
Miele Website	~www.mieleusa.com
20/20 Link	~2020technologies.com

PRODUCT VIEWS

Top View

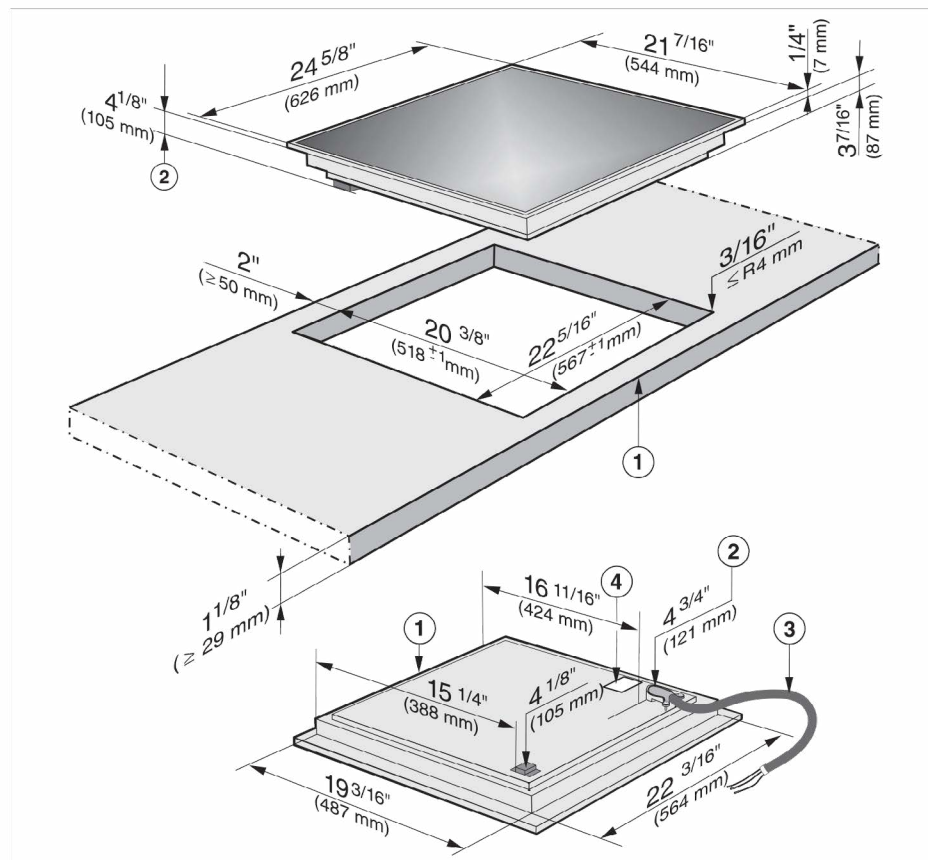


- ① Cooking zone with TwinBooster
- ② PowerFlex cooking zone with TwinBooster
- ③ PowerFlex cooking zone with TwinBooster
- ②③ can be combined to form PowerFlex cooking area
- ④ DirectSelection controls

24" Induction Cooktop KM 6320



INSTALLATION DIMENSIONS

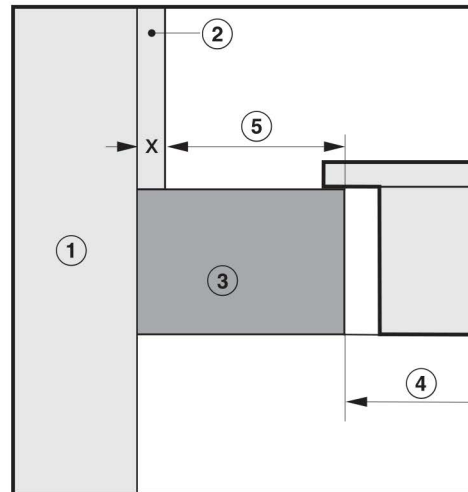


- ① Front
- ② Installation height
- ③ Flexible metal hose with power cord, L = 3' 11¹/₄" (1200 mm)
- ④ Data plate

INSTALLATION SAFETY CLEARANCE

Front Side View
Proud Mount

Framed cooktops



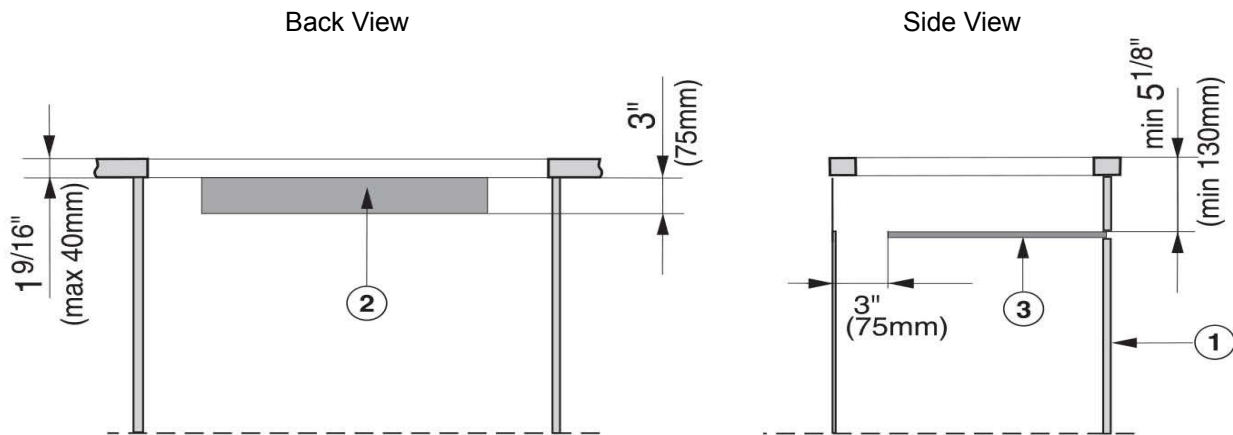
- ① Wall frame
- ② Wall covering dimension x = thickness of the niche cladding
- ③ Countertop
- ④ Countertop cut-out
- ⑤ Minimum distance for
flammable materials 2" (50 mm).
non-flammable materials 2" (50 mm) - dimension x

24" Induction Cooktop KM 6320



INSTALLATION

Ventilation



- ① Front of cooktop
- ② Cut-out (57sq-in.) in cabinet for ventilation.
Shown as an example in the rear wall of the cabinet. Measurements: 19" x 3"
(482 x 72 mm)
- ③ Protective base
Installation of a protective base under the cooktop is allowed but not required.
If a protective base is fitted, there must be a clearance of at least $5\frac{1}{8}$ "
(130 mm) between the top of the protective base and the top of the countertop,
for proper ventilation of the cooktop.
At the back there has to be a gap of 3" (75 mm) for the power cord.

24" Induction Cooktop KM 6320



KM 6320 INDUCTION COOKTOP INSTALLATION IN COMBINATION WITH UNDERCOUNTER 30" MIELE OVEN H6x80BP

Countertop Thickness vs. Toekick Height

Taken into consideration:

- 34¹/₂" tall cabinetry
- 1/4" of cooktop above countertop (proud)
- 3/4" (exact) platform thickness under oven/above toekick

		Toekick Height										
		3 ¹ / ₂	3 ³ / ₄	4	4 ¹ / ₄	4 ¹ / ₂	4 ³ / ₄	5	5 ¹ / ₄	5 ³ / ₄	6	
Countertop Thickness	1 ¹ / ₈	OK	OK	NA	NA	NA	NA	NA	NA	NA	NA	NA
	1 ¹ / ₄	OK	OK	OK	NA	NA	NA	NA	NA	NA	NA	NA
	1 ³ / ₈	OK	OK	OK	NA	NA	NA	NA	NA	NA	NA	NA
	1 ¹ / ₂	OK	OK	OK	OK	NA	NA	NA	NA	NA	NA	NA
	1 ⁹ / ₁₆	OK	OK	OK	OK	NA	NA	NA	NA	NA	NA	NA

 = Typical Installation