

INSTALLATION INSTRUCTIONS

CONVECTION MICROWAVE BUILT-IN TRIM KITS

Retain for Future Reference

VIKING RANGE CORPORATION
111 Front Street
Greenwood, Mississippi 38930 USA
(662) 455-1200

IMPORTANT - PLEASE READ AND FOLLOW

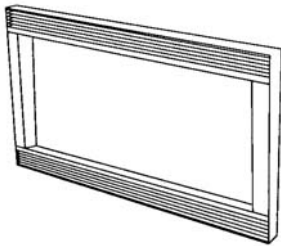
- Before beginning, please read these instructions completely and carefully.
- Be sure to DISCONNECT THE PLUG of the microwave oven from the electrical outlet before installing the built-in trim kit. Remove the turntable tray and turntable support from the oven cavity.
- Because the kit includes metal parts, caution should be used in handling and installation to avoid the possibility of injury.
- Do not remove permanently affixed labels, warnings, or plates from the product. This may void the warranty.
- Please observe all local and national codes and ordinances.
- **The installer should leave these instructions with the consumer who should retain for local inspector's use and for future reference.**

THIS BUILT-IN TRIM KIT IS DESIGNED FOR USE ONLY WITH VIKING CONVECTION MICROWAVE OVENS SPECIFYING BUILT-IN TRIM KIT VMTK275, VMTK305, or VMTK365 FOR PROFESSIONAL UNITS AND DMTK275 OR DMTK305 FOR DESIGNER UNITS ON THE RATING LABEL ON THE BOTTOM FACE PLATE OF THE OVEN CAVITY.

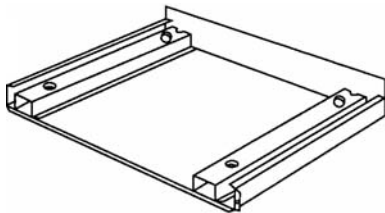
IF YOUR LOWER CONVENTIONAL OVEN IS NOT LISTED IN THE USE AND CARE MANUAL OF THE MICROWAVE OVEN, THEN DO NOT INSTALL THE MICROWAVE OVEN ABOVE IT OR IN ANY AREA WHERE HEAT AND STEAM ARE GENERATED; FOR EXAMPLE, NEXT TO OR ABOVE A CONVENTIONAL RANGE.

PARTS INCLUDED IN THE VMTK KITS

- 1) Front Frame Assembly - QTY 1



- 2) Bottom Duct - QTY 1



- 3) Screw A (1/2" length) - QTY 10



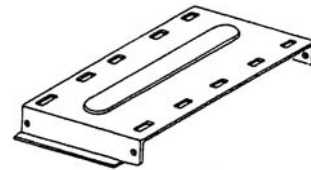
- 4) Screw B (1-3/4" length) - QTY 4



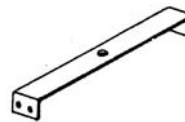
- 5) Screw C (1-3/16" length) - QTY 2



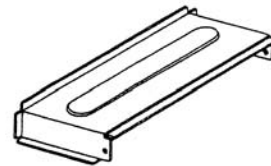
- 6) Duct (A)



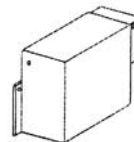
- 7) Duct (A)-2 - QTY 1



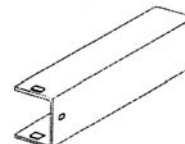
- 8) Duct (A)-1



- 9) Duct (B) - C



- 10) Duct (C) - QTY 1

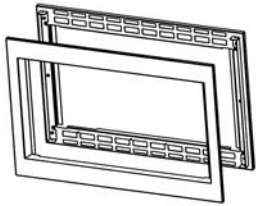


PARTS INCLUDED IN THE DMTK KITS

1) Frame Assembly - Qty 1

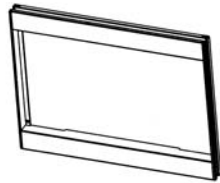
DMTK305

Front Frame Sub-Assembly
Back Frame Sub-Assembly

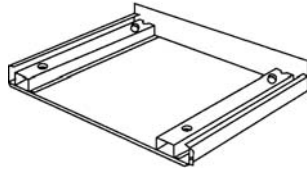


DMTK275

Frame



2) Bottom Duct - QTY 1



3) Screw A (1/2" length) - QTY 10



4) Screw B (1-1/4" length) - QTY 4
(DMTK305 Kit only)

Screw B (3/4" Length) - Qty 4
(DMTK275 Kit only)



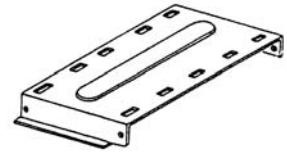
5) Screw C (1/2" length) - QTY 2



6) Screw D (3/8" length) - QTY 2



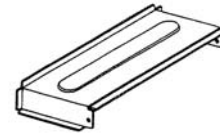
7) Duct (A)-1 - QTY 1



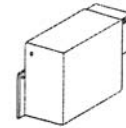
8) Duct (A)-2 - QTY 1



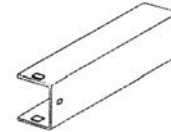
9) Duct (A)-3 - QTY 1



10) Duct (B) - QTY 1



11) Duct (C) - QTY 1



BASIC SPECIFICATIONS

	Microwave Oven VMOC205	Built-In Professional Trim Kits		
		VMTK275	VMTK305	VMTK365
Overall Width	24-5/8" (62.5 cm)	26-1/2" (67.3 cm)	29-1/2" (74.9 cm)	35-1/4" (89.5 cm)
Overall Height from Bottom	14-7/8" (37.7 cm)	19-7/8" (50.5 cm)	19-7/8" (50.5 cm)	19-7/8" (50.5 cm)
Overall Depth from Rear	18-3/4" (47.6 cm)	N/A	N/A	N/A
Cutout Width	N/A	25" (63.5 cm)		
Cutout Height	N/A	18-1/2" (46.9 cm)		
Cutout Depth	N/A	Min. 20-1/8" (51.1 cm)		
Electrical Requirements	120VAC/60 Hz	N/A	N/A	N/A
Max. Amp Usage	1.55 KW; 13.0 amps	N/A	N/A	N/A
Oven Interior	Width - 16-1/8" (40.9 cm) Height - 9-5/8" (24.4 cm) Depth - 16-1/8" (40.9 cm) Overall - 1.5 cu. ft.	N/A	N/A	N/A
Approximate Shipping Wt.	68 lbs. (30.6 kg)	19 lbs. (8.6 kg)	20 lbs. (9.1 kg)	21-1/2 lbs. (9.8 kg)

	Microwave Oven DMOC205	Built-In Designer Trim Kits	
		DMTK275	DMTK305
Overall Width	24-5/8" (62.5 cm)	26-1/2" (67.3 cm)	29-1/2" (74.9 cm)
Overall Height from Bottom	14-7/8" (37.7 cm)	19-7/8" (50.5 cm)	19-7/8" (50.5 cm)
Overall Depth from Rear	18-3/4" (47.6 cm)	N/A	N/A
Cutout Width	N/A	25" (63.5 cm)	
Cutout Height	N/A	18-1/2" (46.9 cm)	
Cutout Depth	N/A	Min. 20-1/8" (51.1 cm)	
Electrical Requirements	120VAC/60 Hz	N/A	N/A
Max. Amp Usage	1.55 KW; 13.0 amps	N/A	N/A
Oven Interior	Width - 16-1/8" (40.9 cm) Height - 9-5/8" (24.4 cm) Depth - 16-1/8" (40.9 cm) Overall - 1.5 cu. ft.	N/A	N/A
Approximate Shipping Wt.	68 lbs. (30.6 kg)	19 lbs. (8.6 kg)	20 lbs. (9.1 kg)

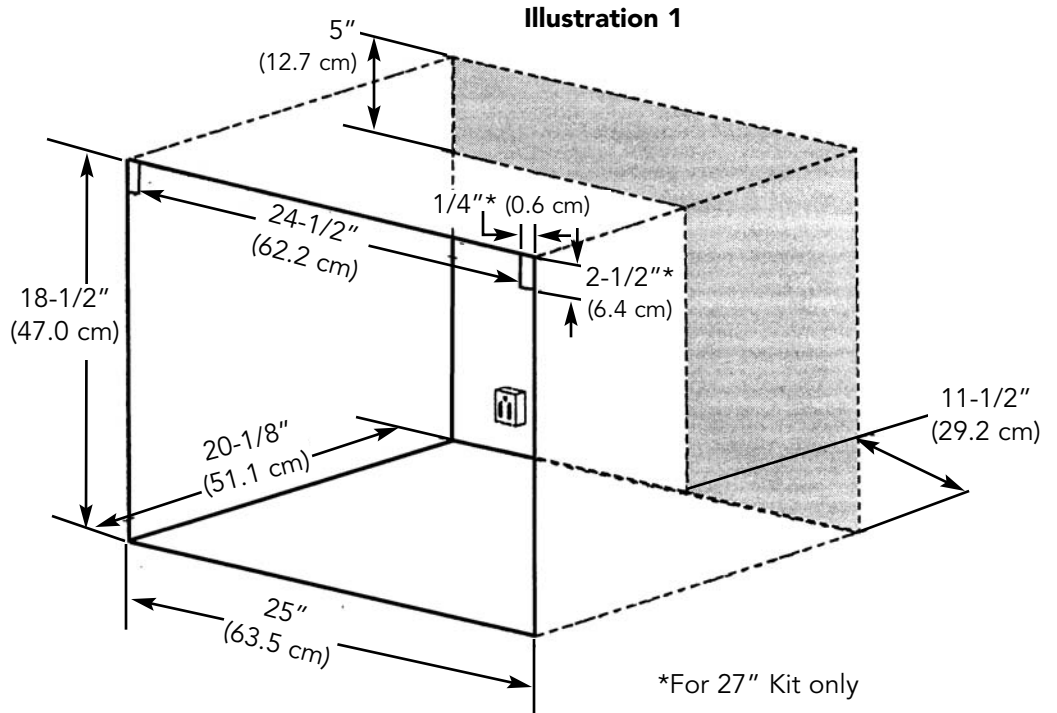
CABINET OR WALL CUTOUT

Provide an opening in the wall or cabinet as indicated in illustration 1. The depth should be a minimum of 20-1/8" (51.1 cm). The floor of the opening should be constructed of plywood strong enough to support the weight of the oven (about 100 lbs.) and should be level for proper operation of the oven .

NOTE: While the proper functioning of the oven does not require that the opening be enclosed (with sides, ceiling and rear partition), this may be required by local code, and it is suggested that the local code be checked for any such requirement.

ELECTRICAL OUTLET LOCATION

Outlet should NOT be in the shaded area as indicated on illustration 1. At the rear of the opening, provide a 3-pronged, polarized, electrical outlet, 115-120 volt AC, 15 amp or larger.



EXHAUST DUCT ASSEMBLY

1. Insert the edge of DUCT (B) into the hold lip of DUCT (C). Secure together by using a SCREW (A) provided in the kit. Remove the existing screws (#1) at upper right rear of the oven and secure DUCT (C) with the screw (#1) just removed from the oven. Secure DUCT (B) with SCREW (A) through the duct and into the original screw hole in the oven. (See illustration 2).
2. Position DUCT (A)-1 on the top of the oven inserting edge of DUCT (BC) assembly into hole lip of DUCT (A)-1. Tighten two SCREWS (A), securing DUCT (A)-1 to DUCT (BC) assembly. (See illustration 3).

Illustration 2

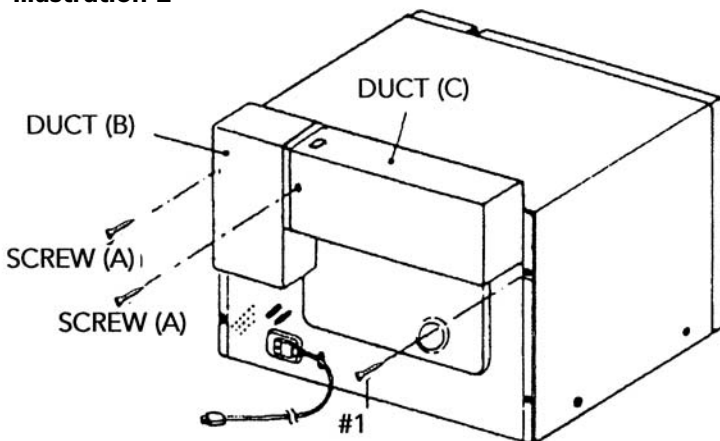
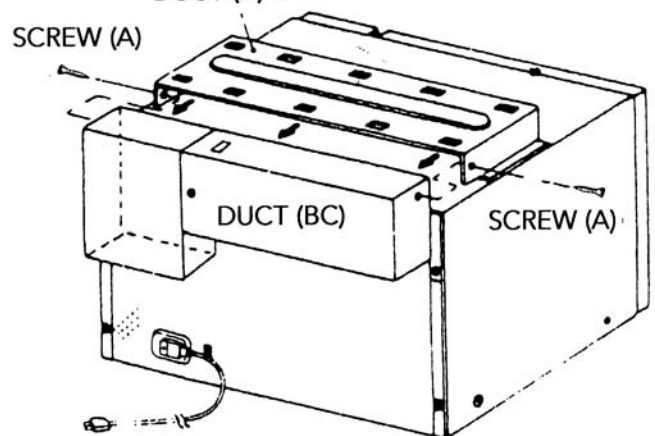


Illustration 3 DUCT (A)-1



EXHAUST DUCT ASSEMBLY (con't)

3. Position DUCT (A)-2 on the top of the oven and insert it into the hold lip of DUCT (A)-1. Secure DUCT (A)-2 to DUCT (A)-1 using two SCREWS (A) provided. (See illustration 4)
4. Position DUCT (A)-3 on top of the oven and insert it into DUCT (A)-2. Secure DUCT (A)-3 using three screws (Q) provided. (See illustration 5)

Illustration 4

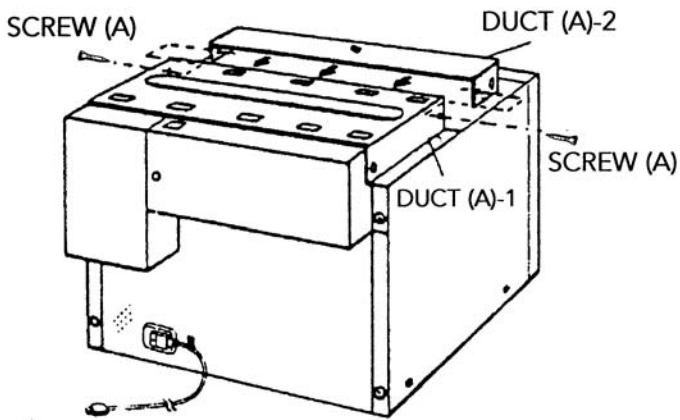
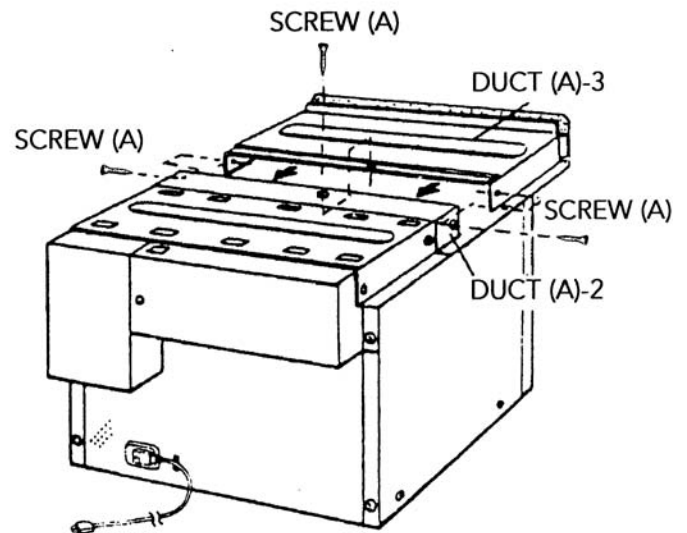


Illustration 5



INSTALLATION

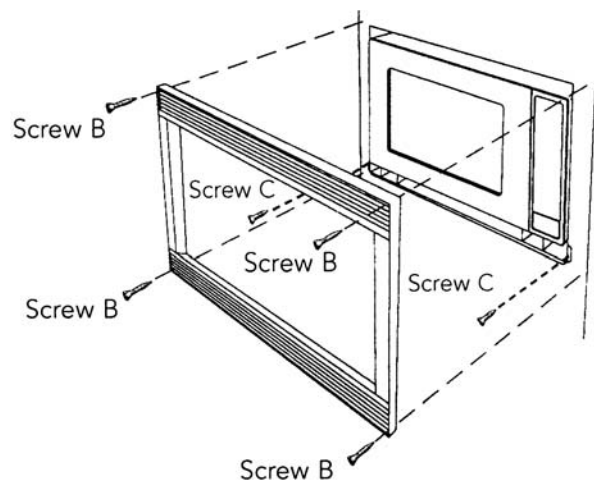
1. Place oven on bottom duct.
2. Place the oven adjacent to the wall or cabinet opening. Connect the cord to the electrical outlet. Slide the oven into place. Be sure the oven is placed at the center of the opening.

FRAME INSTALLATION

VMTK Kits

Attach bottom duct with 2 SCREW (C)s. Attach the built-in trim kit frame with 4 SCREW (B)s. (See illustration 6).

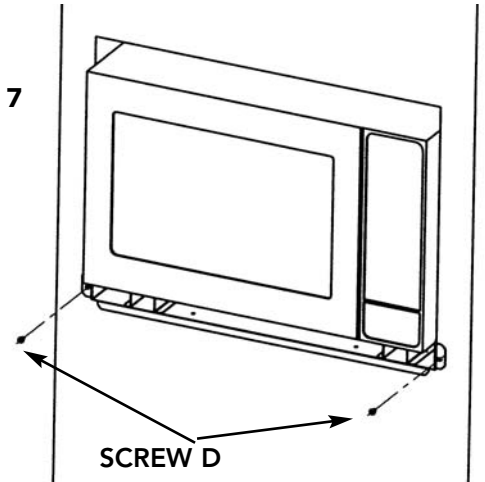
Illustration 6



DMTK305 Kit (For DMTK275 Kit - Skip to page 7)

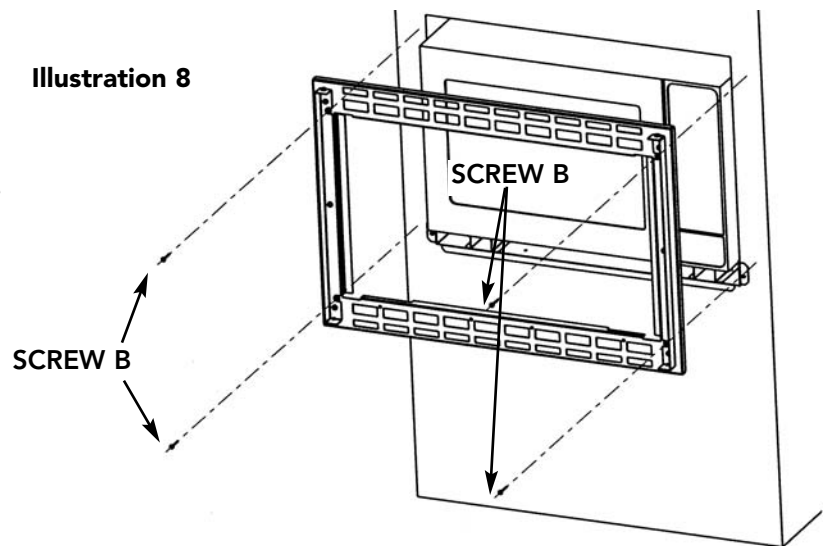
Attach bottom duct with 2 SCREW (D)s.

Illustration 7



Position the BACK FRAME ASSEMBLY to be square with the oven. Carefully place the BACK FRAME ASSEMBLY on the oven. Check that the oven is level and secure the upper portion FIRST with 2 SCREWS (B)s. Secure the bottom portion of the BACK FRAME ASSEMBLY with the remaining 2 SCREW (B)s. (See illustration 8)

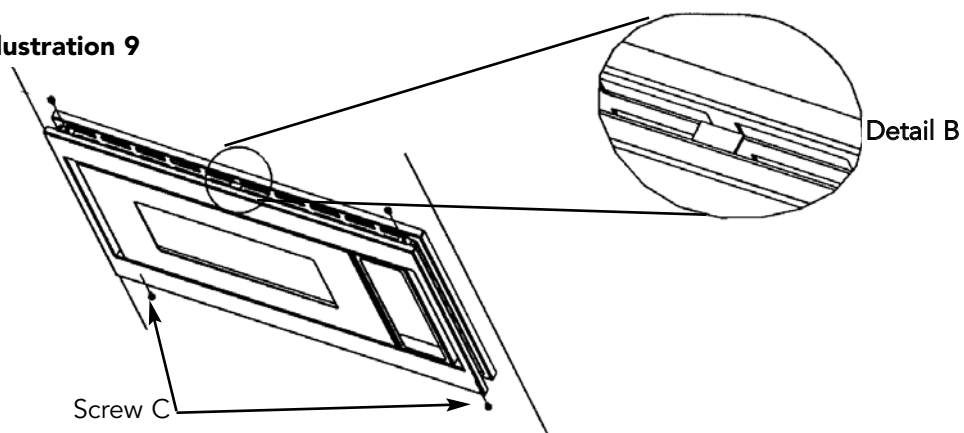
Illustration 8



Place the FRONT FRAME ASSEMBLY through the microwave onto the BACK FRAME ASSEMBLY. Secure the FRONT FRAME ASSEMBLY to the BACK FRAME ASSEMBLY with Screws C. See Illustration 9

NOTE: The center tab denotes correct orientation of the FRONT FRAME. See Detail B.

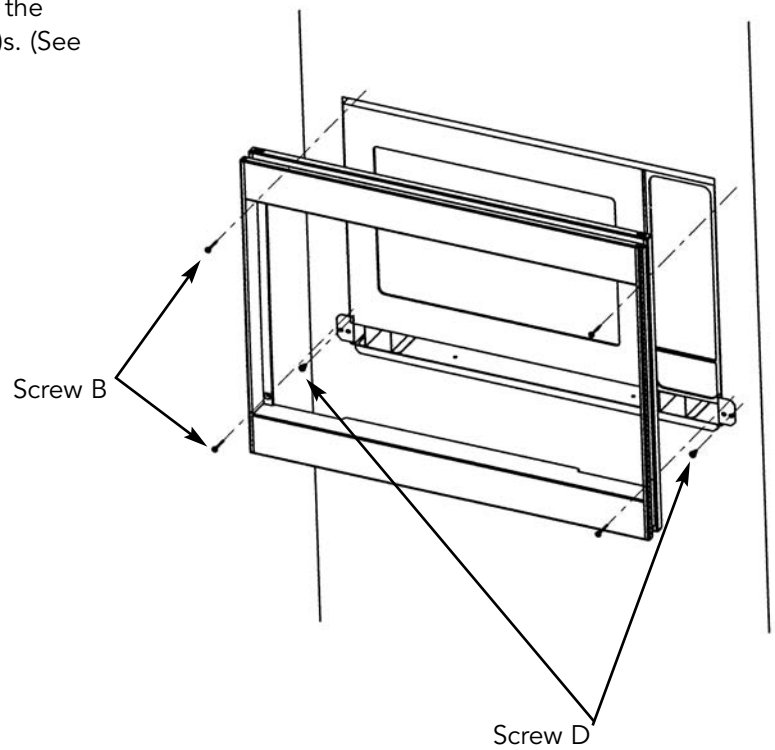
Illustration 9



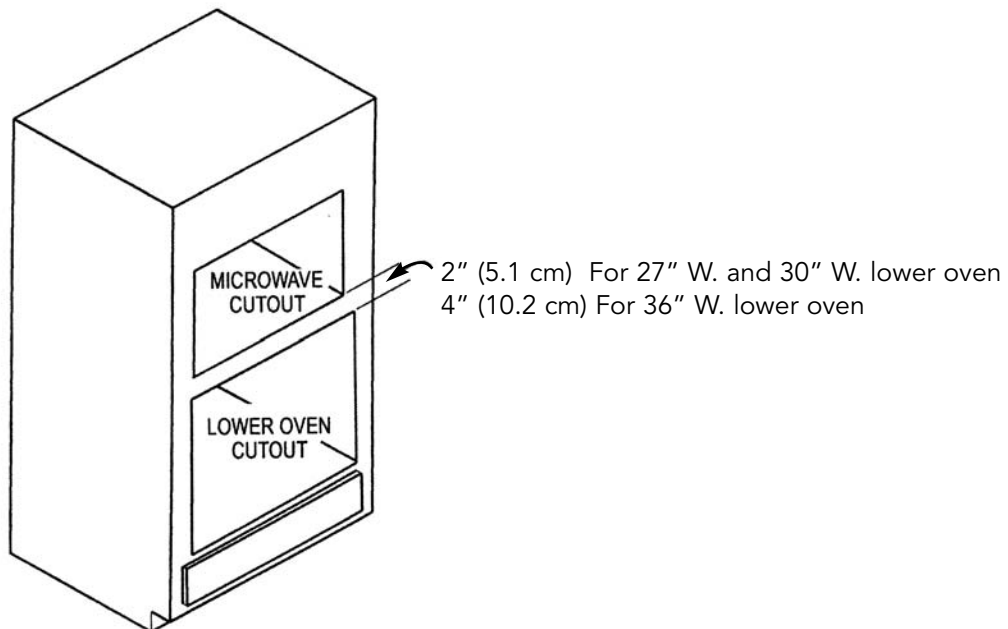
DMTK275 Kit

Attach bottom duct with 2 SCREW (D)s. Position the FRAME ASSEMBLY to be square with the oven. Check that the oven is level and secure the upper portion FIRST with 2 SCREWS (B)s. Secure the bottom portion of the FRAME ASSEMBLY with the remaining 2 SCREW (B)s. (See Illustration 10).

Illustration 10



OVER OVEN INSTALLATION



Viking Range Corporation
111 Front Street • Greenwood, Mississippi 38930 USA • (662) 455-1200

Specifications subject to change without notice

For more product information, call 1-888-VIKING1 (845-4641), or visit our Web site at <http://www.vikingrange.com>