

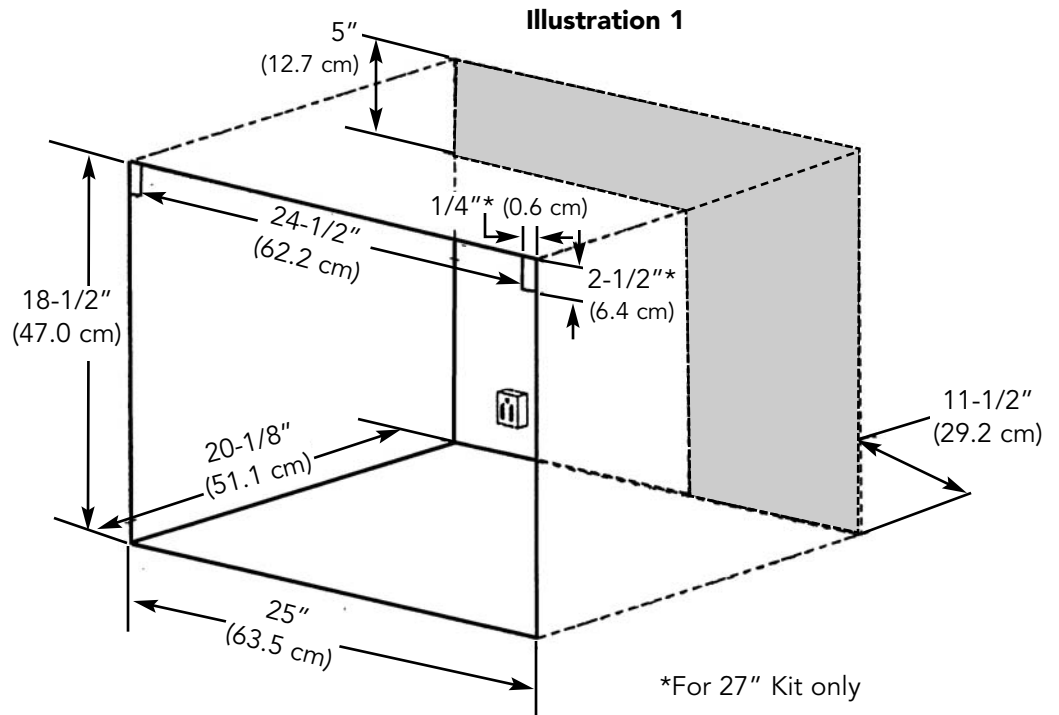
CABINET OR WALL CUTOUT

Provide an opening in the wall or cabinet as indicated in illustration 1. The depth should be a minimum of 20-1/8" (51.1 cm). The floor of the opening should be constructed of plywood strong enough to support the weight of the oven (about 100 lbs.) and should be level for proper operation of the oven.

NOTE: While the proper functioning of the oven does not require that the opening be enclosed (with sides, ceiling and rear partition), this may be required by local code, and it is suggested that the local code be checked for any such requirement.

ELECTRICAL OUTLET LOCATION

Outlet should NOT be in the shaded area as indicated on illustration 1. At the rear of the opening, provide a 3-pronged, polarized, electrical outlet, 115-120 volt AC, 15 amp or larger.



EXHAUST DUCT ASSEMBLY

1. Insert the edge of DUCT (B) into the hold lip of DUCT (C). Secure together by using a SCREW (A) provided in the kit. Remove the existing screws (#1) at upper right rear of the oven and secure DUCT (C) with the screw (#1) just removed from the oven. Secure DUCT (B) with SCREW (A) through the duct and into the original screw hole in the oven. (See illustration 2).
2. Position DUCT (A)-1 on the top of the oven inserting edge of DUCT (BC) assembly into hole lip of DUCT (A)-1. Tighten two SCREWS (A), securing DUCT (A)-1 to DUCT (BC) assembly. (See illustration 3).

Illustration 2

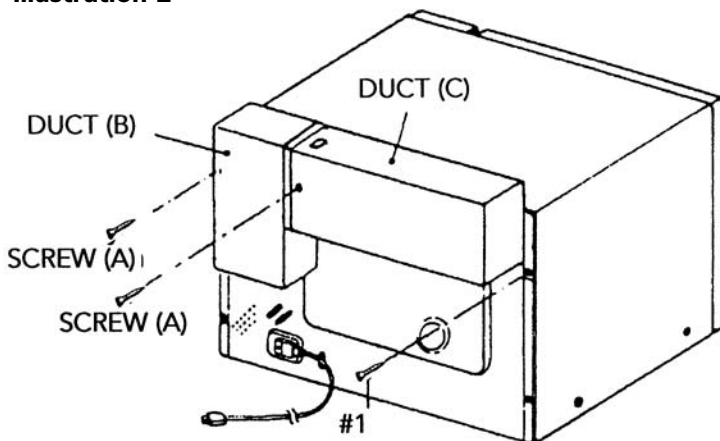
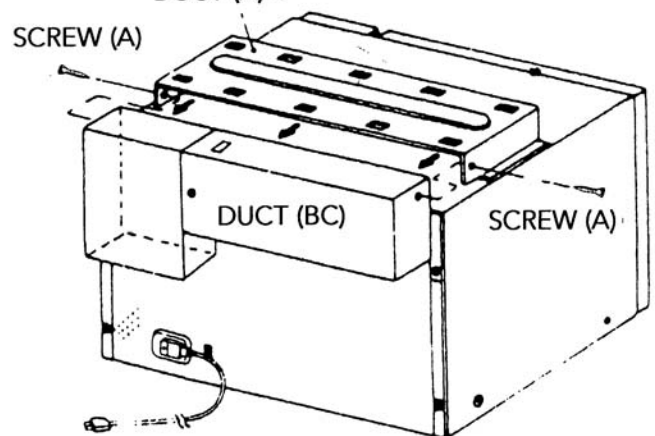


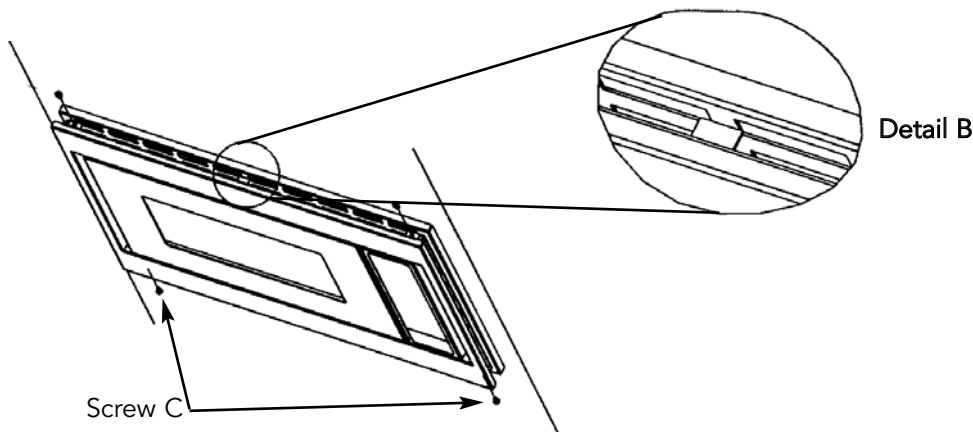
Illustration 3 DUCT (A)-1



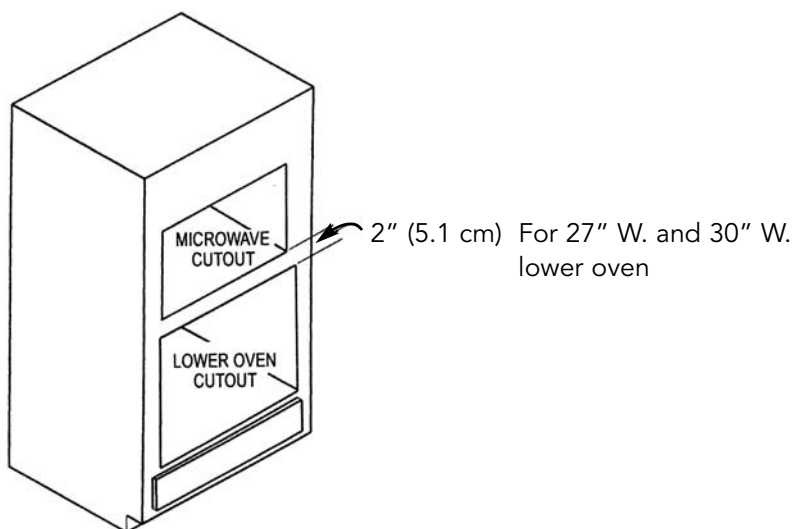
Place the FRONT FRAME ASSEMBLY through the microwave onto the BACK FRAME ASSEMBLY. Secure the FRONT FRAME ASSEMBLY to the BACK FRAME ASSEMBLY with Screws C. See Illustration 8

NOTE: The center tab denotes correct orientation of the FRONT FRAME. See Detail B.

Illustration 8



OVER OVEN INSTALLATION



BASIC SPECIFICATIONS

	Microwave Oven DMOC205	Built-In Trim Kits	
		DMTK275	DMTK305
Overall Width	24-5/8" (62.5 cm)	26-1/2" (67.3 cm)	29-1/2" (74.9 cm)
Overall Height from Bottom	14-7/8" (37.7 cm)	19-7/8" (50.5 cm)	19-7/8" (50.5 cm)
Overall Depth from Rear	18-3/4" (47.6 cm)	N/A	N/A
Cutout Width	N/A	25" (63.5 cm)	
Cutout Height	N/A	18-1/2" (46.9 cm)	
Cutout Depth	N/A	Min. 20-1/8" (51.1 cm)	
Electrical Requirements	120VAC/60 Hz	N/A	N/A
Max. Amp Usage	1.55 KW; 13.0 amps	N/A	N/A
Oven Interior	Width - 16-1/8" (40.9 cm) Height - 9-5/8" (24.4 cm) Depth - 16-1/8" (40.9 cm) Overall - 1.5 cu. ft.	N/A	N/A
Approximate Shipping Wt.	68 lbs. (30.6 kg)	19 lbs. (8.6 kg)	20 lbs. (9.1 kg)

Viking Range Corporation
111 Front Street • Greenwood, Mississippi 38930 USA • (662) 455-1200

Specifications subject to change without notice

For more product information, call 1-888-VIKING1 (845-4641), or visit our Web site at <http://www.vikingrange.com>
F20302A (PS0304VR)