



INSTALLATION INSTRUCTIONS FOR PART 99-7811

Honda Pilot 2016-up 99-7811

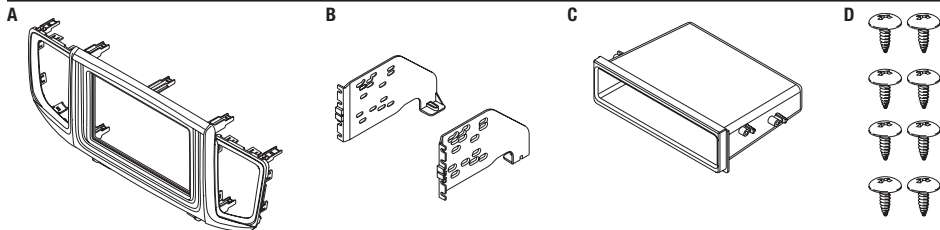


KIT FEATURES

- ISO DIN radio provision with pocket
- 99-7811B - Painted matte black
- 99-7811HG - Painted gloss black

KIT COMPONENTS

- A) Radio trim panel • B) Radio brackets • C) Pocket • D) (8) #8 x 3/8" Phillips screws



WIRING & ANTENNA CONNECTIONS (sold separately)

Wiring Harness: • 70-1729

Antenna Adapter: • 40-HD11 • 40-HD12 (EX and higher)

Table of Contents

Dash Disassembly 2

Kit Assembly

– ISO DIN radio provision with pocket..... 3

TOOLS REQUIRED

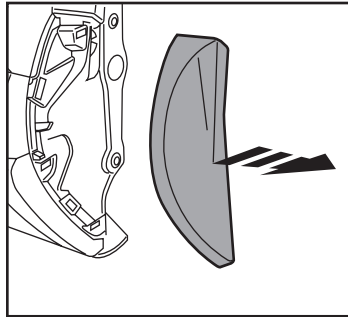
- Panel removal tool • Phillips screwdriver
- 10mm socket wrench with extension
- E-12 reverse (external) Torx socket

CAUTION! All accessories, switches, climate controls panels, and especially air bag indicator lights must be connected before cycling the ignition. Also, do not remove the factory radio with the key in the on position, or while the vehicle is running.

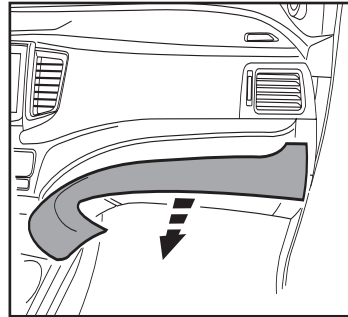
Dash Disassembly

1. Open the passenger door and remove the dash trim on the side of the dash. (Figure A)
2. Open the glove box and remove the dash trim above the opening. (Figure B)
3. Open the driver's door and remove the dash trim on the side of the dash. (Figure C)

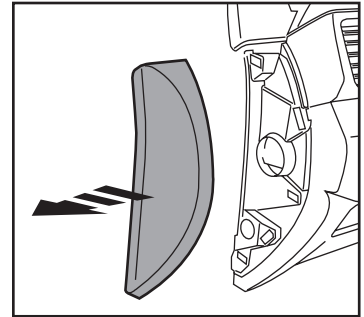
Continued on the next page



(Figure A)



(Figure B)

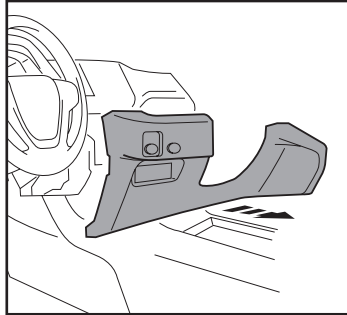


(Figure C)

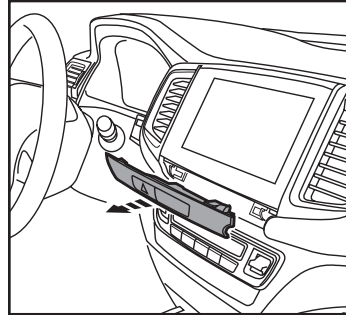
Dash Disassembly

4. Unsnap and remove the panel under the steering wheel. (Figure D)
5. Unclip and remove the hazard/airbag switch panel. (Figure E)
6. Remove (3) Phillips screws securing the climate control trim panel and then remove. (Figure F)

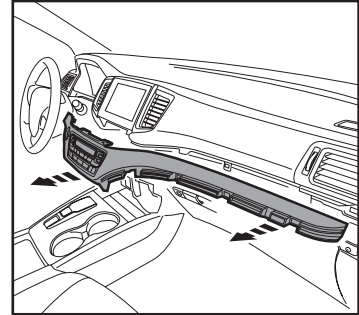
Continued on the next page



(Figure D)



(Figure E)

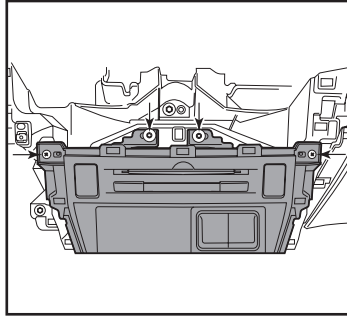


(Figure F)

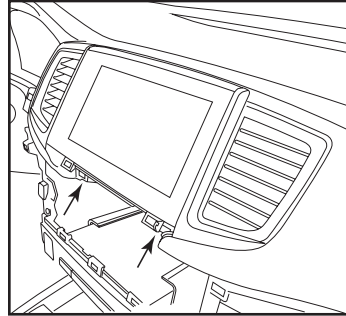
Dash Disassembly

7. Remove (2) Phillips screws securing the storage pocket and then remove. If equipped with a rear DVD player instead, remove (2) Phillips screws from the sides, and (2) E-12 reverse (external) Torx screws from the top, and then remove. (Figure G)
8. Remove the (2) upward facing 10mm bolts from the brackets on the bottom of the radio. (Figure H)
9. Unclip and remove the radio/vent assembly. (Figure I)
10. Remove the clips from the radio/vent panel (note the orientation and location of the clips, they must be installed in the same position on the new radio/vent panel).
11. Remove the (1) Phillips screw from each vent to remove, and then set aside for kit assembly.

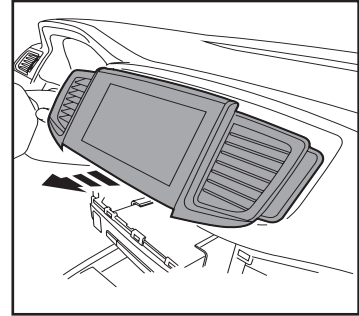
Continue to kit assembly



(Figure G)



(Figure H)

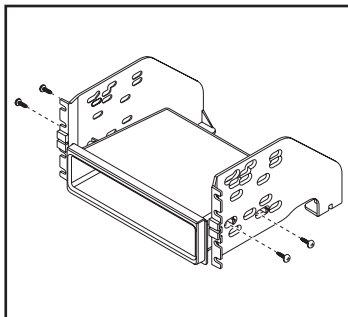


(Figure I)

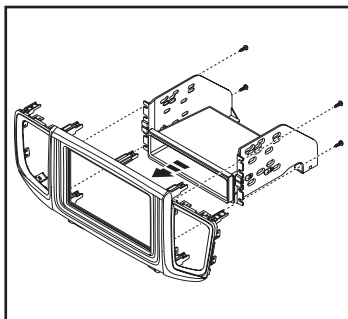
Kit Assembly

ISO DIN radio provision with pocket

1. Attach the clips removed in step 10 of dash disassembly to the same locations on the radio trim panel.
2. Attach the *radio brackets* to the *pocket* using the (4) #8 x 3/8" Phillips screws provided. (Figure A)
3. Attach the *radio bracket/pocket assembly* to the *radio trim panel* using (4) #8 x 3/8" Phillips screws provided. (Figure B)
4. Remove the metal DIN sleeve and trim ring from the aftermarket radio.
5. Slide the radio into the completed assembly from the back, and then secure it using the screws supplied with the radio. (Figure C)

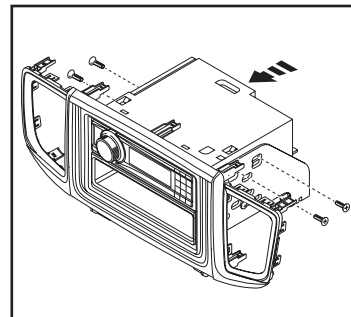


(Figure A)



(Figure B)

6. Attach the factory vents to the *radio trim panel* using the screws removed in step 11 of dash disassembly.
7. Locate the factory wiring harness and antenna connector in the dash, and complete all necessary connections to the radio and climate controls. Metra recommends using the proper mating adapter from Metra and/or AXCESS. Test the radio for proper operation.
8. Reassemble the dash in reverse order of disassembly.



(Figure C)



INSTALLATION INSTRUCTIONS FOR PART 99-7811



IMPORTANT

If you are having difficulties with the installation of this product, please call our Tech Support line at 1-800-253-TECH. Before doing so, look over the instructions a second time, and make sure the installation was performed exactly as the instructions are stated. Please have the vehicle apart and ready to perform troubleshooting steps before calling.



KNOWLEDGE IS POWER

Enhance your installation and fabrication skills by enrolling in the most recognized and respected mobile electronics school in our industry. Log onto www.installerinstitute.com or call 800-354-6782 for more information and take steps toward a better tomorrow.



Metra recommends MECP certified technicians

REV. 2/9/2016 INST99-7811