



INSTALLATION INSTRUCTIONS FOR PART 99-8251B

APPLICATIONS

Toyota Tacoma 2016-up 99-8251B

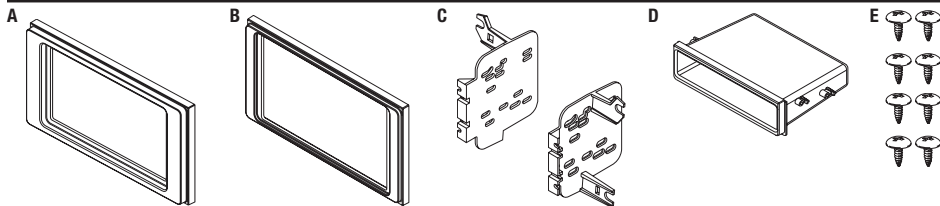
KIT FEATURES

- ISO DIN radio provision with pocket
- ISO DDIN radio
- **Painted matte black**



KIT COMPONENTS

- A) Radio trim panel (with Entune 6.1" display)
- B) Radio trim panel (with Entune 7.0" display)
- C) Radio trim panel brackets
- D) Pocket
- E) (8) #8 x 3/8" Phillips screws



WIRING & ANTENNA CONNECTIONS (sold separately)

- Wiring Harness: • 70-1761 • TYTO-02 Amplified interface
- Antenna Adapter: • 40-LX11

Table of Contents

Dash Disassembly	2
Kit Assembly	
– ISO DIN radio provision with pocket.....	3
– ISO DDIN radio provision	3

TOOLS REQUIRED

- Panel removal tool
- Phillips screwdriver
- 10mm socket wrench

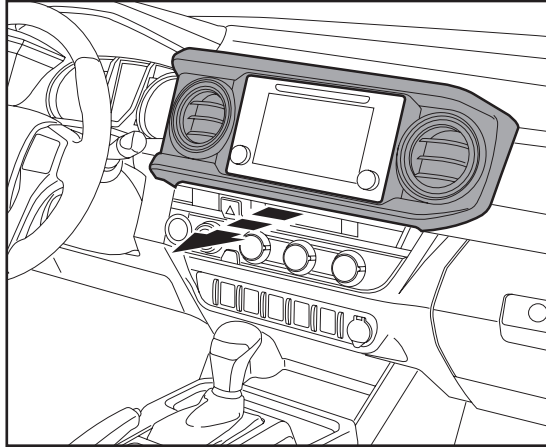
CAUTION: Metra recommends disconnecting the negative battery terminal before beginning any installation, unless the vehicle manufacturer recommends against so. Please check with your local Dealership for more information. All accessories, switches, climate controls panels, and especially air bag indicator lights must be connected before reconnecting the battery or cycling the ignition. Also, do not remove the factory radio with the key in the on position, or the vehicle running. It would be best to remove the key from the ignition and then wait a few seconds before removing the factory radio.

REV. 1/21/2016 INST99-8251B

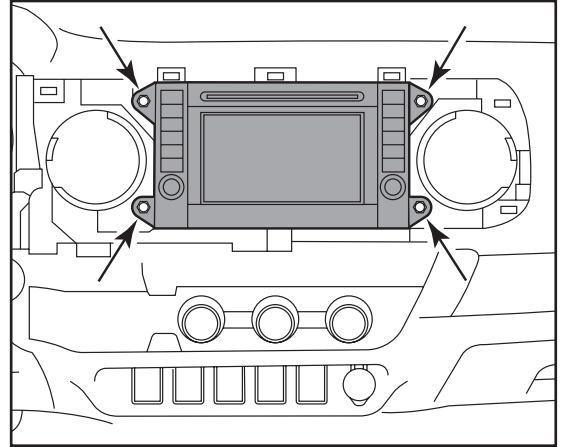
Dash Disassembly

1. Unclip and remove the panel surrounding the radio including the a/c vents. (Figure A)
2. Remove (4) 10mm bolts securing the factory radio. (Figure B)

Continue to kit assembly



(Figure A)

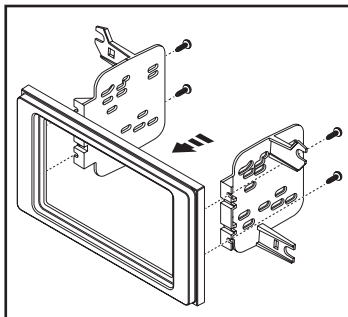


(Figure B)

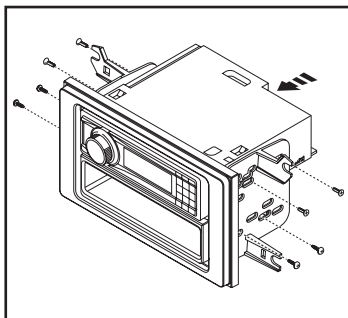
Kit Assembly

ISO DIN radio provision with pocket

1. Attach the *radio trim panel brackets* to the *radio trim panel* using (4) #8 x 3/8" Phillips screws supplied. (Figure A)
2. Attach the *pocket* to the *bracket assembly* using the four supplied (4) #8 x 3/8" Phillips screws. (Figure B)
3. Remove the metal "DIN" sleeve and trim ring from the aftermarket radio.
4. Slide the radio into the completed assembly, and then secure it to the assembly using the screws supplied with the radio. (Figure B)
5. Locate the factory wiring harness and antenna connector in the dash, and complete all necessary connections to the radio. Metra recommends using the proper mating adapter from Metra and/or AXCESS. Re-connect the negative battery terminal and test the radio for proper operation.
6. Reassemble the dash in reverse order of disassembly.



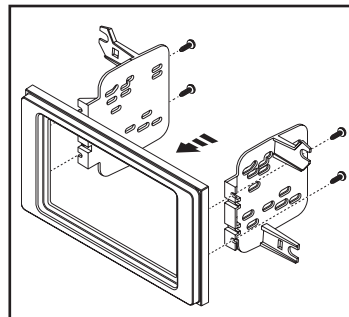
(Figure A)



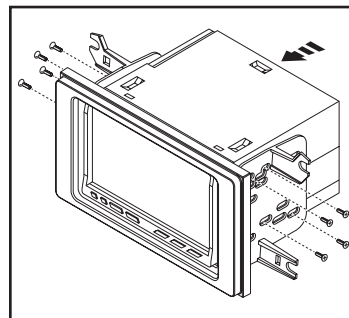
(Figure B)

ISO DDIN radio provision

1. Attach the *radio trim panel brackets* to the *radio trim panel* using (4) #8 x 3/8" Phillips screws supplied. (Figure A)
2. Slide the radio into the completed assembly, and then secure it to the assembly using screws supplied with the radio. (Figure B)
3. Locate the factory wiring harness and antenna connector in the dash, and complete all necessary connections to the radio. Metra recommends using the proper mating adapter from Metra and/or AXCESS. Re-connect the negative battery terminal and test the radio for proper operation.
4. Reassemble the dash in reverse order of disassembly.



(Figure A)



(Figure B)



INSTALLATION INSTRUCTIONS FOR PART 99-8251B



IMPORTANT

If you are having difficulties with the installation of this product, please call our Tech Support line at 1-800-253-TECH. Before doing so, look over the instructions a second time, and make sure the installation was performed exactly as the instructions are stated. Please have the vehicle apart and ready to perform troubleshooting steps before calling.



KNOWLEDGE IS POWER

Enhance your installation and fabrication skills by enrolling in the most recognized and respected mobile electronics school in our industry. Log onto www.installerinstitute.com or call 800-354-6782 for more information and take steps toward a better tomorrow.



Metra recommends MECP certified technicians

REV 1/21/2016 INST99-8251B