

600
SERIES

OVERLAY DOOR PANELS

For exact door panel dimensions for 600 Series overlay units, refer to the Overlay Panel Specifications chart and illustrations on the following page.

The overlay design line allows decorative panels to cover the door trim for a more seamless appearance that blends with the design of the room. To achieve this look, the most common way is to work with three panels – the decorative overlay panel, a 0.10" (3) spacer panel and a 1/4" (6) backer panel. Depending on your cabinet manufacturer, this could be one panel routed for different dimensions or more likely, three different panels.

The overlay panel design option is available on all 600 Series units except Models 680 and 690.

If you are using a raised panel extension on an overlay Model 601R, 601RG or 601F, it may be necessary to rout a space for the unit's hinge plate so it does not strike the door panel. Refer to the illustration below. With this application the overall height of the panel will increase to 59-3/4" (1518).

IMPORTANT NOTE: Keep in mind that the Sub-Zero door panels have the potential for hitting adjacent cabinets and/or countertops when they are opened. You need to be aware of your surrounding cabinetry and space limitations when using the overlay units. Refer to the full-scale illustrations at the end of this section.

Regardless of the physical construction of the panels (routing or three panel assembly), you will need to follow the Overlay Panel Specifications chart and illustrations for exact sizing and panel placement to ensure a proper fit.

The following illustrations show a cross section view of the three panel assembly showing placement of the door/drawer/grille trim and a rear view of the three panel assembly and critical dimensions, standard for all models.

IMPORTANT NOTE: The weight of each panel assembly cannot exceed 50 lbs (23 kg).

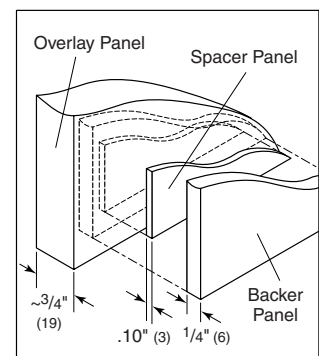
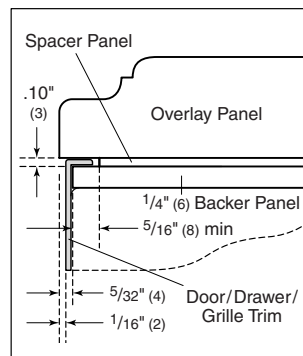
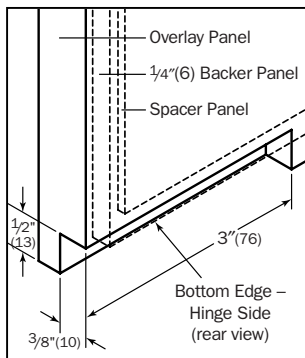
IMPORTANT NOTE: The total thickness of all panels for an overlay model must be at least 5/8" (16) thick.

For glass door Models 601RG, 611G and 650G, the refrigerator door panel must include a cut-out to accommodate the window. Refer to the Overlay Panel Specifications chart and illustrations on the following page.

IMPORTANT NOTE: On glass door models, the glass portion of the door must be exposed and not covered by any part of the panel.

For Models 685 and 695, the refrigerator door panel must include a cut-out to accommodate the glasswell and bezel. The thickness of the panel in this area can range from 1/4" (6) to a maximum of 1-1/8" (29). If the panel is thicker, provisions must be made to rout out a space to accommodate the decorative bezel surrounding the glasswell.

To install overlay panels, see the detailed procedures outlined in the Sub-Zero 600 Series Installation Guide.



- ▶ Dimensions in parentheses are in millimeters unless otherwise specified.
- ▶ Refer to the Sub-Zero Design Guide pdf file for additional specifications.



OVERLAY PANEL SPECIFICATIONS

Refrigerator Panels Model	Refrigerator Overlay Panel (W) (H)	Refrigerator Spacer Panel (W) (H)	Refrigerator Backer Panel (W) (H)
601R / 601RG	34 ⁷ / ₁₆ " (875) 59 ¹ / ₄ " (1505)	33 ¹ / ₂ " (851) 58 ⁵ / ₁₆ " (1481)	34 ¹ / ₈ " (867) 58 ¹⁵ / ₁₆ " (1497)
611 / 611G	28 ⁷ / ₁₆ " (722) 48 ⁷ / ₈ " (1241)	27 ¹ / ₂ " (699) 47 ⁷ / ₁₆ " (1205)	28 ¹ / ₈ " (714) 48 ¹ / ₁₆ " (1221)
650 / 650G	34 ⁷ / ₁₆ " (875) 48 ⁷ / ₈ " (1241)	33 ¹ / ₂ " (851) 47 ⁷ / ₁₆ " (1205)	34 ¹ / ₈ " (867) 48 ¹ / ₁₆ " (1221)
561 / 661	19 ⁷ / ₁₆ " (494) 68" (1727)	18 ¹ / ₂ " (470) 67 ¹ / ₁₆ " (1703)	19 ¹ / ₈ " (486) 67 ¹¹ / ₁₆ " (1719)
642 / 685	24 ⁵ / ₁₆ " (618) 68" (1727)	23 ³ / ₈ " (594) 67 ¹ / ₁₆ " (1703)	24" (610) 67 ¹¹ / ₁₆ " (1719)
632 / 695	28" (711) 68" (1727)	27 ¹ / ₁₆ " (687) 67 ¹ / ₁₆ " (1703)	27 ¹¹ / ₁₆ " (703) 67 ¹¹ / ₁₆ " (1719)

Freezer Panels Model	Freezer Overlay Panel (W) (H)	Freezer Spacer Panel (W) (H)	Freezer Backer Panel (W) (H)
601F	34 ⁷ / ₁₆ " (875) 59 ¹ / ₄ " (1505)	33 ¹ / ₂ " (851) 58 ⁵ / ₁₆ " (1481)	34 ¹ / ₈ " (867) 58 ¹⁵ / ₁₆ " (1497)
611 / 611G	28 ⁷ / ₁₆ " (722) 18 ¹¹ / ₁₆ " (475)	27 ¹ / ₂ " (699) 17 ³ / ₄ " (451)	28 ¹ / ₈ " (714) 18 ³ / ₈ " (467)
650 / 650G	34 ⁷ / ₁₆ " (875) 18 ¹¹ / ₁₆ " (475)	33 ¹ / ₂ " (851) 17 ³ / ₄ " (451)	34 ¹ / ₈ " (867) 18 ³ / ₈ " (467)
561 / 661	14 ¹⁵ / ₁₆ " (379) 68" (1727)	14" (356) 67 ¹ / ₁₆ " (1703)	14 ⁵ / ₈ " (371) 67 ¹¹ / ₁₆ " (1719)
642 / 685	15 ¹⁵ / ₁₆ " (405) 68" (1727)	15" (381) 67 ¹ / ₁₆ " (1703)	15 ⁵ / ₈ " (397) 67 ¹¹ / ₁₆ " (1719)
632 / 695	18 ¹ / ₄ " (464) 68" (1727)	17 ⁵ / ₁₆ " (440) 67 ¹ / ₁₆ " (1703)	17 ¹⁵ / ₁₆ " (456) 67 ¹¹ / ₁₆ " (1719)

Window Cutout Location	(C)	(D)
601RG	4 ¹ / ₂ " (114)	13 ¹ / ₂ " (343)
611G / 650G	4 ¹ / ₂ " (114)	4 ¹ / ₂ " (114)

Glasswell Cut-out Location	(E)	(F)
685 / 695 (Door Panel)	1 ¹¹ / ₁₆ " (43)	28 ³ / ₄ " (730)
685 / 695 (Spacer Panel)	1 ¹ / ₄ " (31)	28 ¹ / ₄ " (718)
685 / 695 (Backer Panel)	1 ⁹ / ₁₆ " (39)	28 ⁹ / ₁₆ " (726)

Window Cutout Dimensions

Model 601RG	25 ⁷ / ₁₆ " (646) W x 41 ¹ / ₄ " (1048) H
Model 611G	19 ⁷ / ₁₆ " (494) W x 39 ³ / ₈ " (1000) H
Model 650G	25 ⁷ / ₁₆ " (646) W x 39 ³ / ₈ " (1000) H

Glasswell Cut-out Dimensions

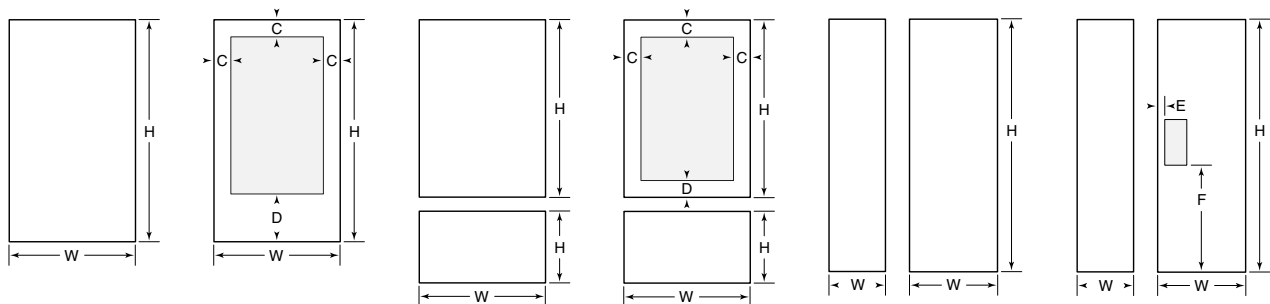
685 / 695	5 ⁷ / ₈ " (150) W x 12 ⁷ / ₁₆ " (315) H
------------------	---

NOTE: Overlay panel design is not available for Model 680 or 690.

NOTE: Dimensions in parentheses are in millimeters.

NOTE: Panel specifications are for 600 Series overlay (O) models.

NOTE: For Models 685 and 695, panel thickness in the glasswell area can range from 1/4" (6) to a maximum of 1-1/8" (29). If the panel is thicker, you must rout out a minimum 1/4" (6) flat landing area to accommodate the bezel surrounding the glasswell.



Models 601R and 601F

Model 601RG

Models 611 and 650

Models 611G and 650G

Models 561, 661, 642 and 632

Models 685 and 695

- ▶ Dimensions in parentheses are in millimeters unless otherwise specified.
- ▶ Refer to the Sub-Zero Design Guide pdf file for additional specifications.

REVEAL OPTION

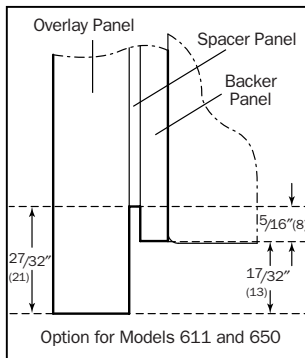
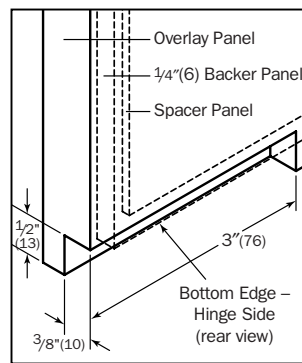
For Models 611, 611G, 650 and 650G you may want to minimize the reveal between the bottom of the overlay door panel and the top of the overlay drawer panel. In this instance follow the dimensions for the standard backer and spacer panel in the Overlay Panel Specifications chart. The overlay panel height on the door grows by 1/2" (13). Refer to the following chart and illustration.

Reveal Option:	Overlay Refrigerator Door Panel
Models 611/611G	28 ⁷ / ₁₆ " (722) W x 48 ⁷ / ₈ " (1241) H
Models 650/650G	34 ⁷ / ₁₆ " (875) W x 48 ⁷ / ₈ " (1241) H
	Overlay Freezer Drawer Panel
Models 611/611G	28 ⁷ / ₁₆ " (722) W x 18 ¹¹ / ₁₆ " (474) H
Models 650/650G	34 ⁷ / ₁₆ " (875) W x 18 ¹¹ / ₁₆ " (474) H

NOTE: Dimensions in parentheses are in millimeters.

With this reveal option, you must rout a space for the unit's hinge plate so it does not strike the door panel. Refer to the illustration below.

Window cutout dimensions will remain as specified in the Overlay Panel Specifications chart, but the window cutout location dimension (D) will increase to 5" (127), with this option. Panel grille sizes remain as specified in the Overlay Grille Panel chart.



CAUTION

Do not exceed the overlay decorative panel dimensions listed for Models 611, 611G, 650 or 650G in the standard or optional charts. If you try to make the reveal tighter between the door and drawer panels, the panels may hit when opening and closing, causing possible damage to the panels and the Sub-Zero unit.

- ▶ Dimensions in parentheses are in millimeters unless otherwise specified.
- ▶ Refer to the Sub-Zero Design Guide pdf file for additional specifications.

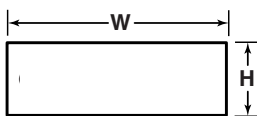
OVERLAY GRILLE PANELS

Overlay grille panels match the design look of the door panels. This option is available on all 600 Series units except Models 601R, 601RG and 601F. Keep in mind that the overlay panel design option is not available on Model 680 and 690 doors; however the overlay grille panel is optional on the framed application for these models. Refer to the following charts and illustrations for panel specifics.

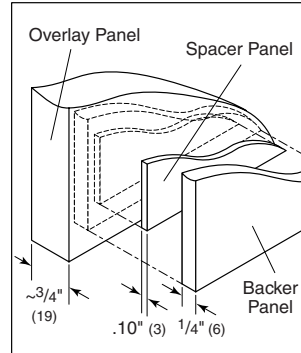
Model	Overlay Panel (W)	Spacer Panel (W)	Backer Panel (W)
611 / 611G	28 ⁷ / ₁₆ " (722)	27 ¹ / ₂ " (699)	28 ³ / ₁₆ " (716)
650 / 650G	34 ⁷ / ₁₆ " (875)	33 ¹ / ₂ " (851)	34 ³ / ₁₆ " (868)
561 / 661	34 ⁷ / ₁₆ " (875)	33 ¹ / ₂ " (851)	34 ³ / ₁₆ " (868)
642	40 ⁷ / ₁₆ " (1027)	39 ¹ / ₂ " (1003)	40 ³ / ₁₆ " (1021)
680 / 685	40 ⁷ / ₁₆ " (1027)	39 ¹ / ₂ " (1003)	40 ³ / ₁₆ " (1021)
632	46 ⁷ / ₁₆ " (1180)	45 ¹ / ₂ " (1156)	46 ³ / ₁₆ " (1173)
690 / 695	46 ⁷ / ₁₆ " (1180)	45 ¹ / ₂ " (1156)	46 ³ / ₁₆ " (1173)

Grille Height	Overlay Panel (H)	Spacer Panel (H)	Backer Panel (H)
10" Grille	9 ¹ / ₄ " (235)	8 ⁵ / ₁₆ " (211)	8 ¹⁵ / ₁₆ " (227)
11" Grille*	10 ¹ / ₄ " (260)	9 ⁵ / ₁₆ " (237)	9 ¹⁵ / ₁₆ " (252)
12" Grille	11 ¹ / ₄ " (286)	10 ⁵ / ₁₆ " (262)	10 ¹⁵ / ₁₆ " (278)
13" Grille	12 ¹ / ₄ " (311)	11 ⁵ / ₁₆ " (287)	11 ¹⁵ / ₁₆ " (303)
14" Grille	13 ¹ / ₄ " (337)	12 ⁵ / ₁₆ " (313)	12 ¹⁵ / ₁₆ " (329)
15" Grille	14 ¹ / ₄ " (362)	13 ⁵ / ₁₆ " (338)	13 ¹⁵ / ₁₆ " (354)

*The 11" (279) high grille is standard on overlay models.
 NOTE: Dimensions in parentheses are in millimeters.



Overlay Grille Panel



CAUTION

Do not exceed the panel dimensions listed for the appropriate overlay grille panel you are specifying. The overlay decorative panel cannot be any larger or it may restrict the air flow to the compressor area and cause problems with the operation of the Sub-Zero unit.

- ▶ Dimensions in parentheses are in millimeters unless otherwise specified.
- ▶ Refer to the Sub-Zero Design Guide pdf file for additional specifications.



HANDLE HARDWARE CONSIDERATIONS

Overlay units come without handle hardware. The beauty of this design is that you can match the surrounding cabinet hardware. You or the cabinet manufacturer must provide handle hardware to match the overall decorating scheme. However, you can order handles from Sub-Zero as optional features.

The handle hardware must be installed before installing the panel assembly. Use larger D-style handles. If screws with thick heads are used, the screws will need to countersunk into the door before the panel is put into place.

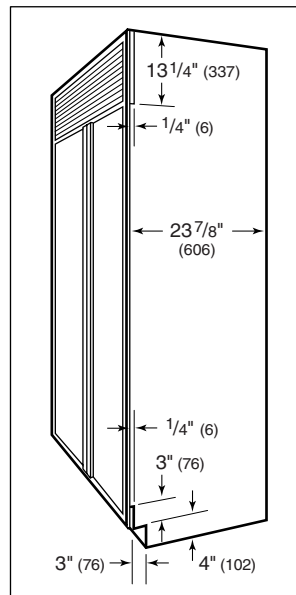
IMPORTANT NOTE: Sub-Zero does not recommend using single pull knobs on any of its 600 Series units.

Optional stainless steel handles are available in a variety of diameters and lengths, as well as handles to match the color and style of Wolf ovens. Contact your Sub-Zero dealer for specifics.

The full-scale illustrations on the following pages enable you to understand some of the unique situations you may face as you plan for the installation of the 600 Series units. Use these illustrations as templates for panel and handle hardware considerations.

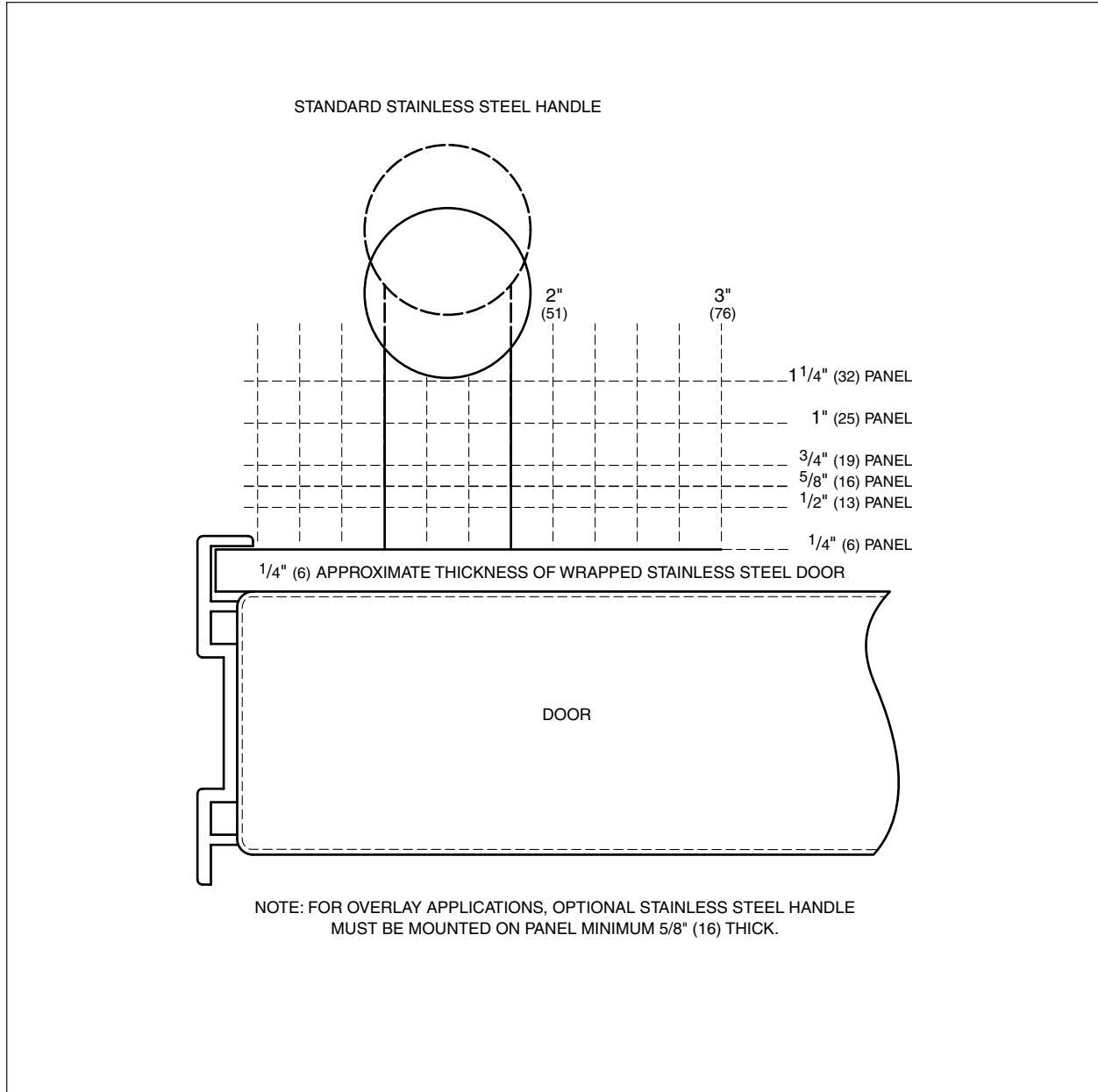
SIDE PANELS

When planning for side panels with the installation of the 600 Series unit, you need to be aware of space configuration to achieve a pleasing fit. Depending on the exact panel you are using with your unit, the height of the panel will vary. Refer to the following illustration for placement of cutouts around the kickplate and grille area and remember that the dimension to the back of the main frame is 23-7/8" (606).



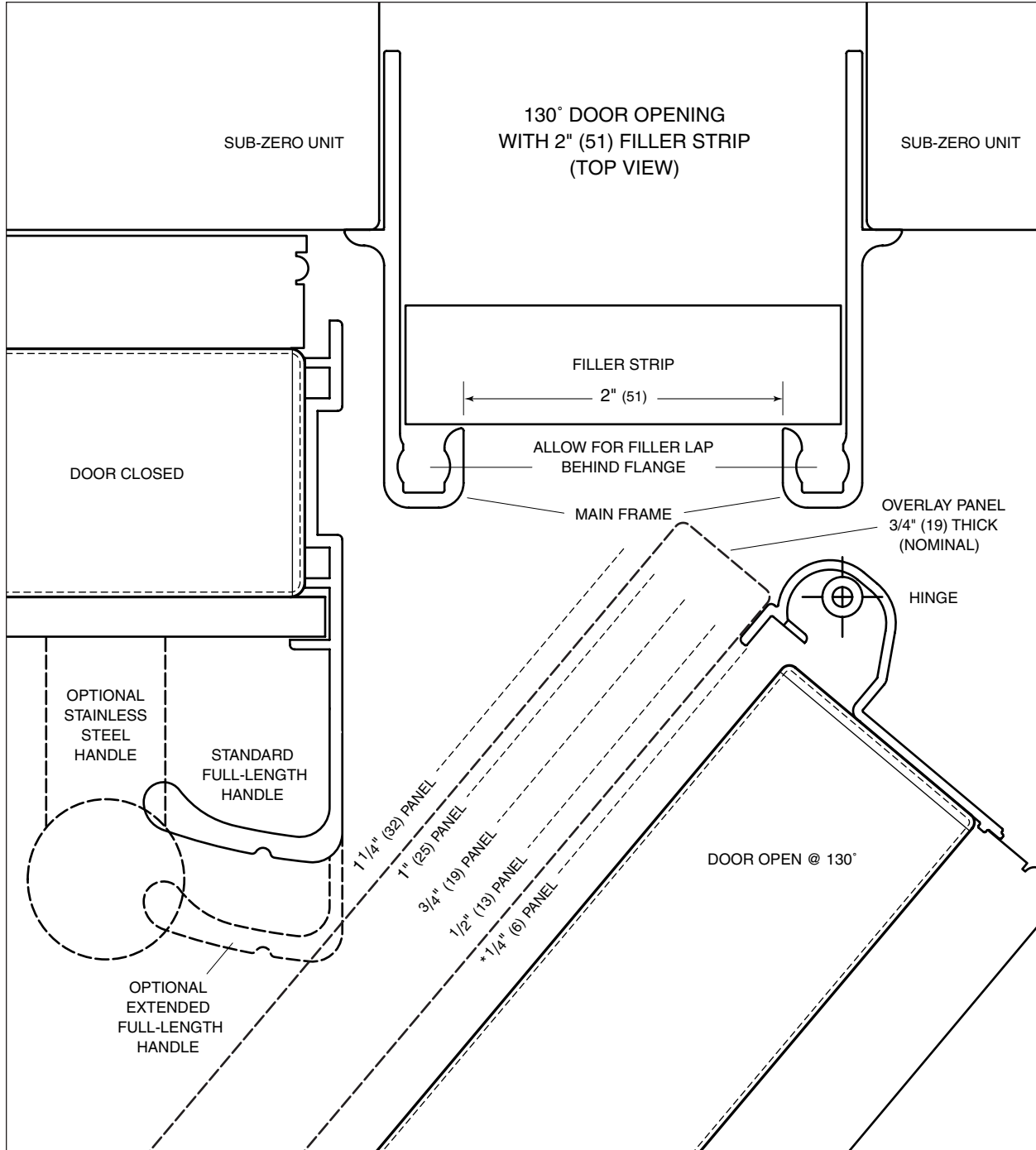
- ▶ Dimensions in parentheses are in millimeters unless otherwise specified.
- ▶ Refer to the Sub-Zero Design Guide pdf file for additional specifications.

HANDLE PROFILE - OVERLAY AND STAINLESS STEEL APPLICATIONS ▼



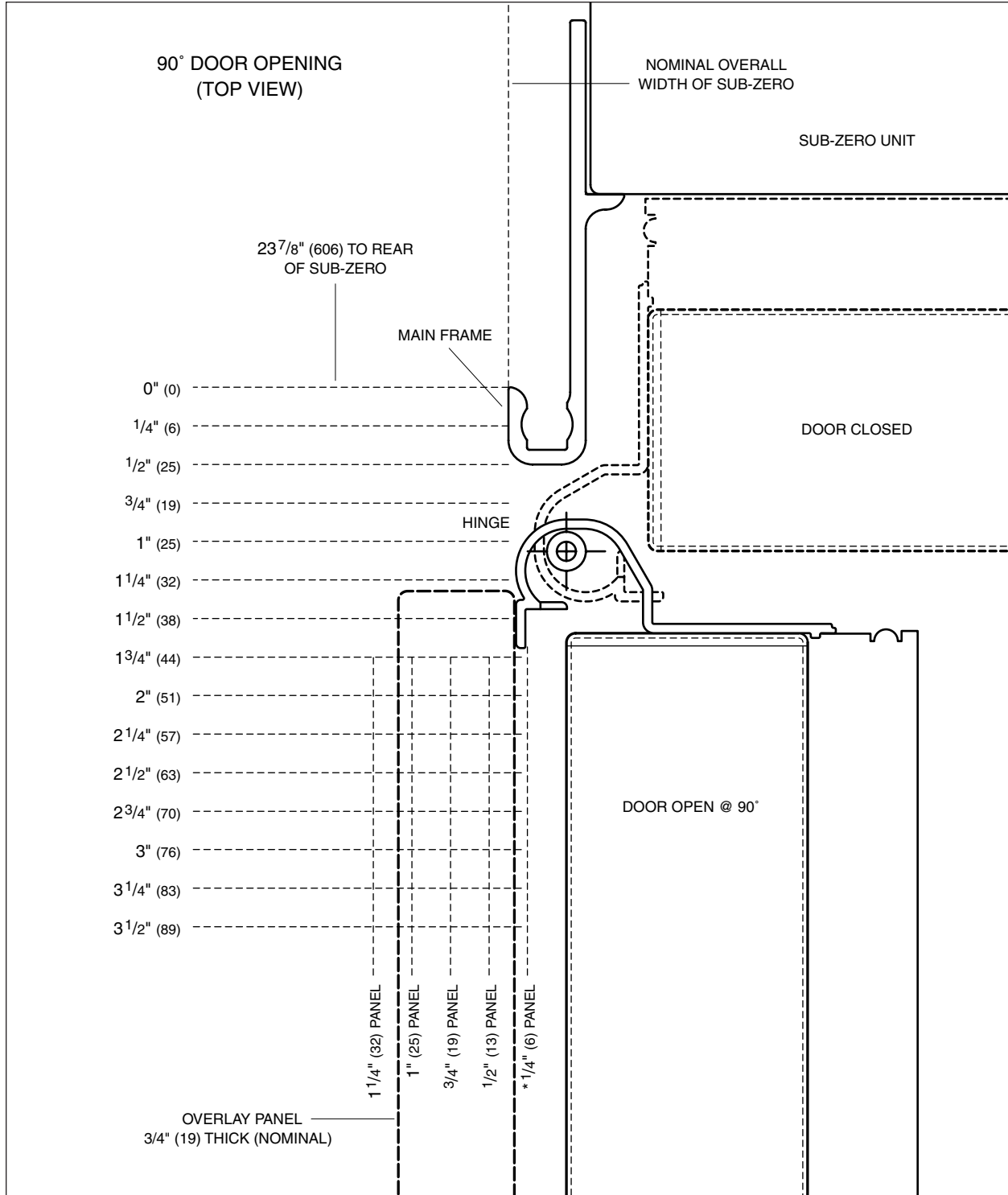
- ▶ Full-scale template for standard stainless steel handle in overlay and stainless steel applications.
- ▶ For overlay applications, optional stainless steel handle must be mounted on a minimum 5/8" (16) thick panel.
- ▶ Dimensions in parentheses are in millimeters unless otherwise specified.
- ▶ Refer to the Sub-Zero Design Guide pdf file for additional specifications.

OVERLAY PANEL APPLICATION - 130° DOOR OPENING



- ▶ Full-scale template.
- ▶ Overlay panels and optional stainless steel handle shown in dashed line.
- ▶ Dimensions in parentheses are in millimeters unless otherwise specified.
- ▶ Refer to the Sub-Zero Design Guide pdf file for additional specifications.

OVERLAY PANEL APPLICATION - 90° DOOR OPENING



- ▶ Full-scale template.
- ▶ Dimensions in parentheses are in millimeters unless otherwise specified.
- ▶ Refer to the Sub-Zero Design Guide pdf file for additional specifications.