



**PERRIN & ROWE® MIMAS CONTEMPORARY SINGLE HOLE KITCHEN FAUCET WITH "C" SPOUT AND SIDESPRAY**

Perrin & Rowe® Kitchen

**U.4846LS-2**

**FEATURES**

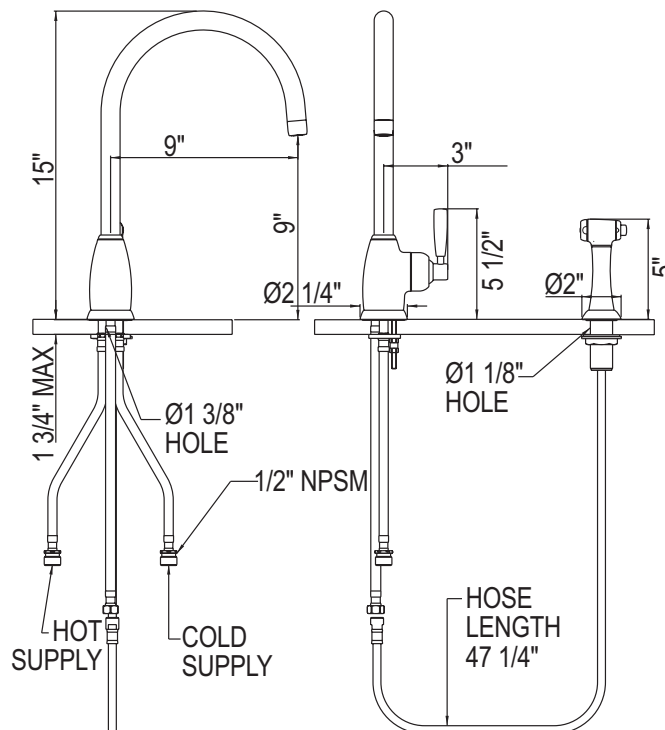
- Metal lever handle only
- Made from solid brass
- 1/4-turn ceramic disc valves
- Insulated brass sidespray
- 1 3/4" max. installation depth on deck
- 15" spout height
- 9" reach swivel spout
- Inca Brass & English Bronze not available
- 1.8 GPM
- Requires 2 1/2" clearance from backsplash

**COLORS/FINISHES**

- Polished Chrome
- Polished Nickel
- Satin Nickel

**WARRANTY**

- Limited Lifetime



## U.4846LS-2 SPARE PARTS

### SPARES

Complete Rinse Head  
9.27875\*

9.19426

### BAR SPOUT

Complete Hose  
9.28426\*

9.25552

9.17862\*

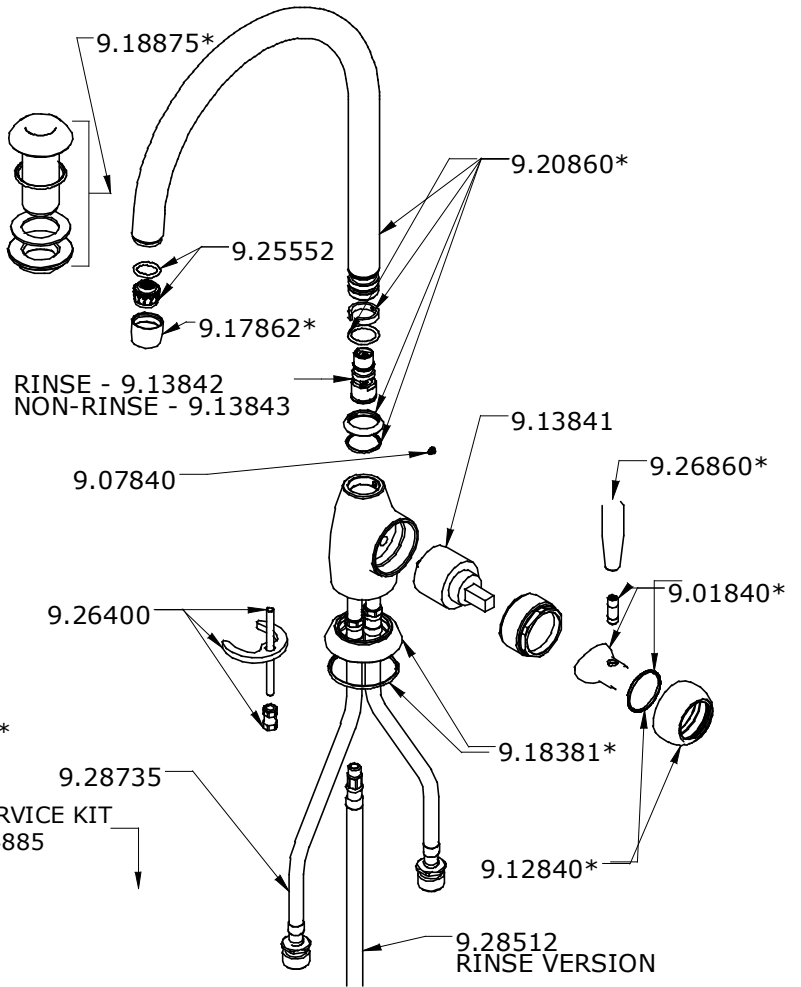
9.20112\*

9.25552

9.17862\*

9.12861\*

MIXER SERVICE KIT  
9.54885



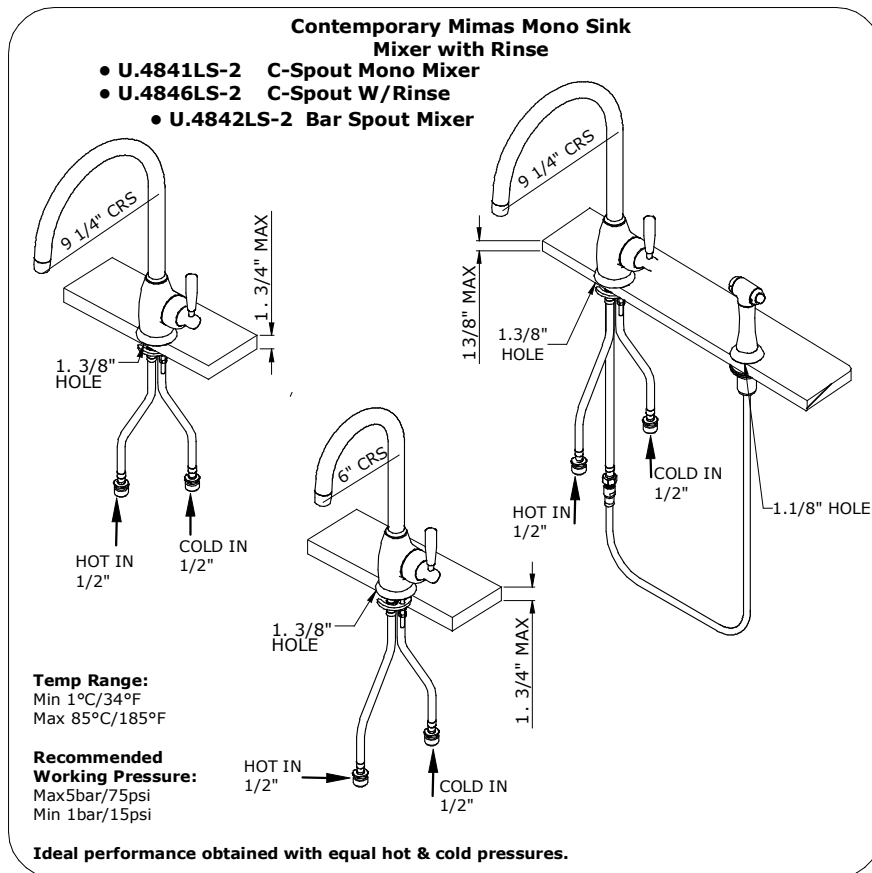
\* Where indicated please specify color

## INSTALLATION INSTRUCTIONS



### The Contemporary Kitchen Collection

#### Installation & User Guide



## INSTALLATION INSTRUCTIONS

The Contemporary Kitchen Collection  
Installation & User Guide

*Congratulations on the purchase of your Perrin & Rowe Kitchen Product. Correctly installed and with sensible care, this product will give you many years of trouble free service.*

### IMPORTANT INFORMATION

**The following instructions are for the rinse and non-rinse version of the model you are installing. Please read carefully to ensure correct installation.**

**Before you proceed... We recommend you engage the services of a registered plumber to install this product.**

**For ease of possible future servicing, we also recommend the fitting of conveniently placed isolating valves.**

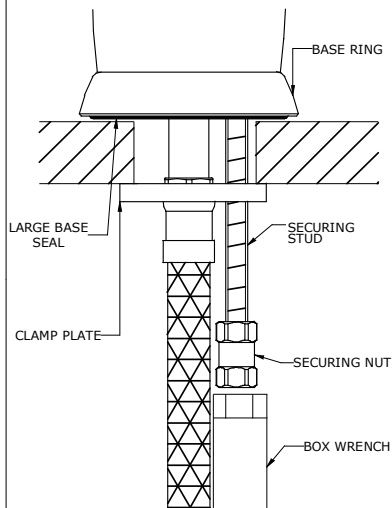
**In addition to the guide below it is essential that the written information overleaf is carefully read and understood.**

### Preparation Check Box for Installer

Flush the plumbing system before installing the kitchen product.

Once unpacked remove large & small base seals, rosette, fixing nut, securing nut and clamp plate ready for installation.

**1**



- Temperature of the hot water supply does not exceed 185°F.
- Recommended minimum water supply pressure - 25psi.
- Recommended maximum water supply pressure - 100psi.
- Ideal performance obtained with equal hot & cold pressures.

Mimas - Lever should be on the right when viewed from the front of the fitting. Hole centre a minimum of 2. 1/2" from the wall.

Monobloc mixers require a Ø1. 3/8" hole through the surface they are to be installed on. Maximum counter top thickness 1. 3/4".

Insert the flexible connections through the hole ensuring that the base seal is in place between the mixer and mounting surface.

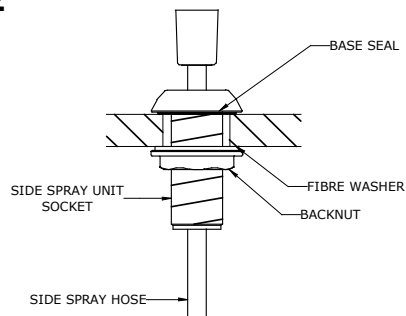
From the underside of the counter top, place the clamp plate on the securing stud and using the box spanner supplied, put fixing nut in spanner and tighten until mixer is held firmly in position.

Secure spout with supplied Box Wrench.

**Ensure all connections are firmly tightened**

## INSTALLATION INSTRUCTIONS

**2**



If your mixer has a side spray please follow steps 2 & 3 to install correctly, otherwise please connect Hot & Cold water supplies.

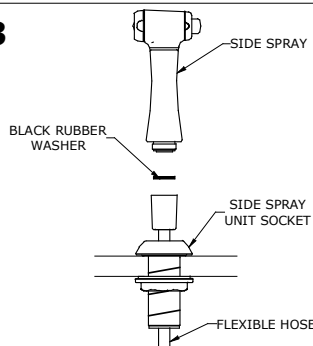
Secure side spray unit socket in a suitable position using a faucet wrench or a 36 AF wrench.

Place flexible hose through top of side spray unit socket as shown in diagram.

Screw flexible hose onto the end of side spray hose.

**Ensure connections are firmly tightened.**

**3**



Ensure black rubber washer is in place before securing side spray to flexible hose.

Holding the side spray, screw the flexible hose onto the end of side spray and place into side spray unit socket. Make sure orientation of side spray is correct.

Connect Hot & Cold water supplies to shanks.

**Ensure all connections are firmly tightened.**

**Please Note:** Ceramic disc valves are fitted as standard to this mixer. Flow from FULLY OFF to FULLY ON is achieved by rotating the handles a quarter turn.

### BEFORE USE

- Carefully check the installation for leaks.
- If further building work is to be carried out in the vicinity, cover the tap with a plastic bag to avoid damaging the finish.
- Please ensure that the installation complies with the water supply bye-laws.

### CARE & MAINTENANCE

Wipe down after use to avoid water spotting and mineral build up.

Occasional cleaning with warm soapy water, followed by a polish with a soft cloth is all that is required to keep the plated finish in good condition.

**Do not use proprietary abrasive liquids, powders, or pads to clean the shower. Do not use any products with ammonia bleach or limescale remover. You will damage the plated finish and void your guarantee.**