

CI304T/S

FEATURES

Four elements and bridging option to accommodate different pan sizes

40% faster temperature response than gas or electric

Magnetic induction technology provides fast and perfectly distributed heat

Incredible cooking control, with lightning fast high heat and very low lows

Cookware sensing guards against hot burners being left on

Rigorously tested in our U.S. manufacturing facilities for decades of use

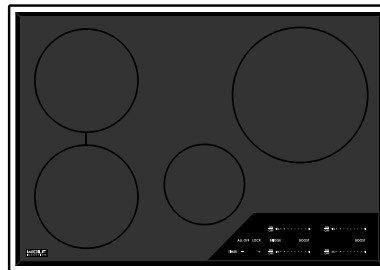
Exceptional 24/7 support from our Customer Care team in Madison

Cookware heats up fast, yet cooktop stays relatively cool for safety

Highly efficient, because energy is supplied directly to the cookware



TOP CONFIGURATION



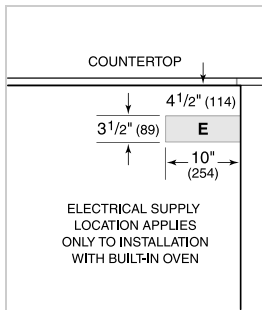
COOKTOP SPECIFICATIONS

- 1 - 1400 W Element
- 2 - 2100 W Element with 3000 W Boost
- 1 - 2600 W Element With 3150 W Boost

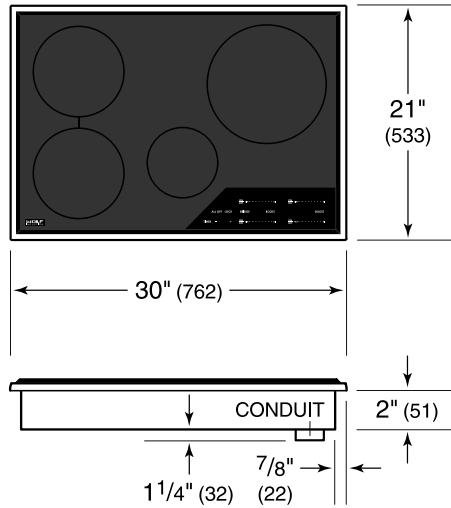
PRODUCT SPECIFICATIONS

Model	CI304T/S
Dimensions	30"W x 2"H x 21"D
Weight	49 lb
Electrical Supply	3-wire, 240/208 VAC, 60 Hz
Electrical Service	40 amp dedicated circuit
Conduit Length	4 feet

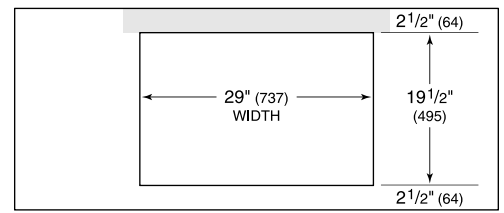
ELECTRICAL



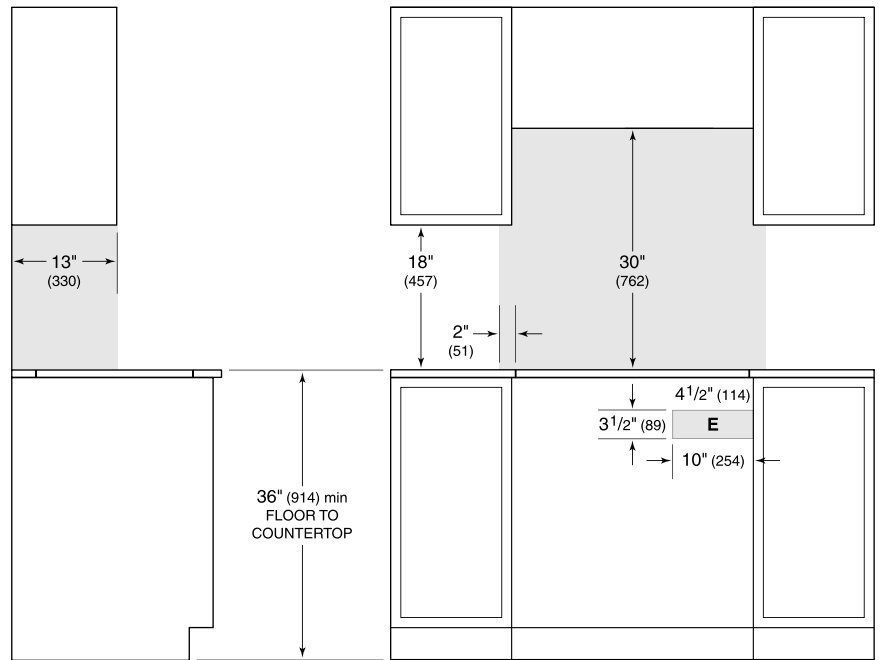
DIMENSIONS



STANDARD INSTALLATION



COUNTERTOP CUT-OUT



SIDE VIEW

FRONT VIEW

NOTE: Shaded area above countertop indicates minimum clearance to combustible surfaces, combustible materials cannot be located within this area. Electrical supply location only applies to installations with built-in oven.