

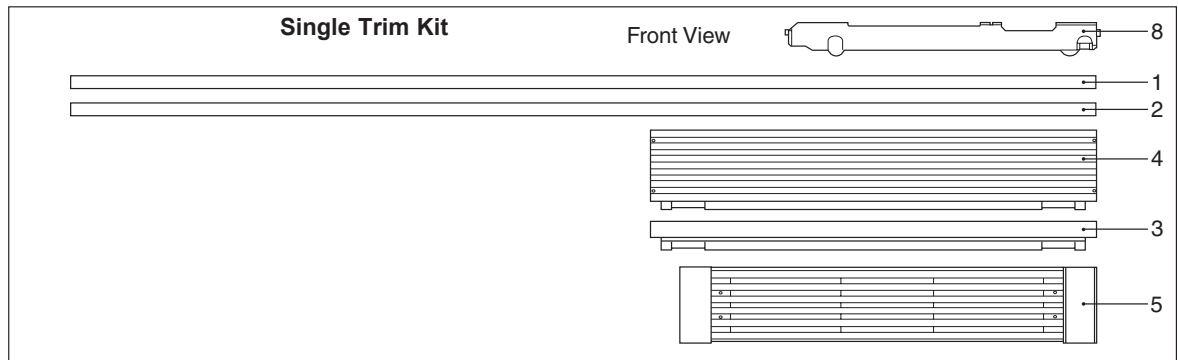
# INSTRUCTION SHEET

## U19 All Refrigerator and All Freezer Trim Kit Installation

### Single Trim Kit Components

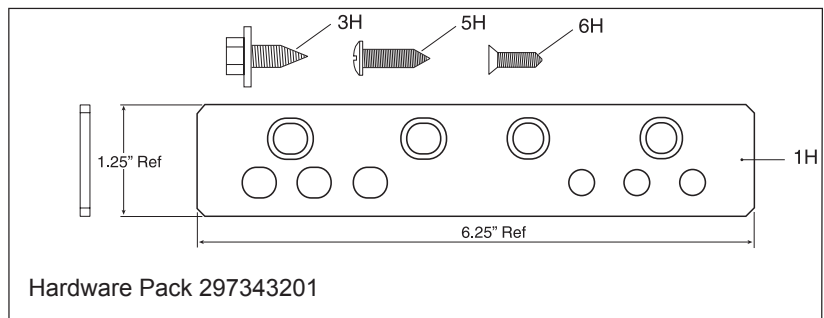
Parts Included in Kit TRIMKITSS1 (Part# 297333510):

| Single Trim Kit 297333510 |             |                               |     |
|---------------------------|-------------|-------------------------------|-----|
| ITEM                      | PART NUMBER | DESCRIPTION                   | QTY |
| 1                         | 297349010   | Trim Side RH U19              | 1   |
| 2                         | 297349011   | Trim Side LH U19              | 1   |
| 3                         | 297332711   | Trim Top Short U19 Single     | 1   |
| 4                         | 297332811   | Trim Top Tall U19 Single      | 1   |
| 5                         | 297333311   | Kick Plate U19 Single         | 1   |
| 6                         | 297337700   | Carton, Packaging             | 1   |
| 7                         | 297343201   | Hardware Pack Single U19      | 1   |
| 8                         | 297276900   | Lever Assembly Support System | 2   |



**NOTE:** All Hardware Pack components mentioned throughout this instruction sheet will have an “H” after the item number.

| Hardware Pack 297343201 |             |                           |     |
|-------------------------|-------------|---------------------------|-----|
| ITEM                    | PART NUMBER | DESCRIPTION               | QTY |
| 1H                      | 297333900   | Tie-Bar Hinge             | 1   |
| 3H                      | 297236250   | Screw 1/4-20 x .63        | 8   |
| 5H                      | 050149      | Screw TH #8-18 x .75 AB   | 6   |
| 6H                      | 297142600   | Screw FH #8-32 x .63      | 2   |
| 7H                      | 297299700   | Installation Instructions | 1   |

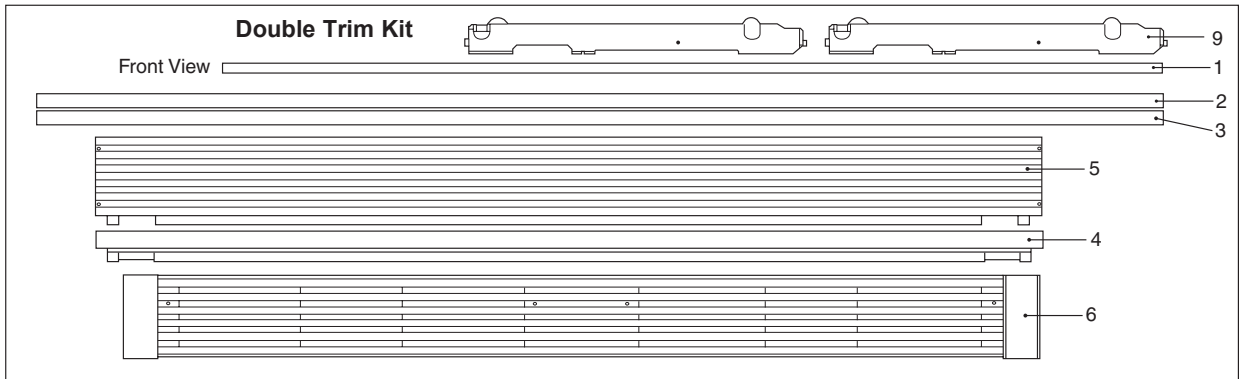


# INSTRUCTION SHEET

## Dual Trim Kit Components

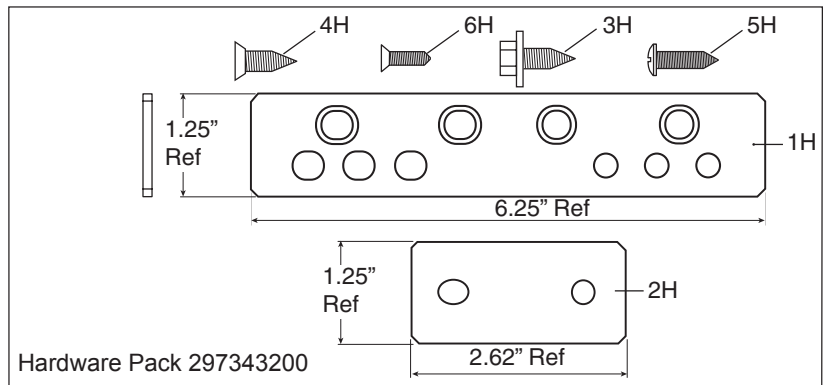
Parts Included in Kit TRIMKITSS2 (Part# 297333610):

| Double Trim Kit 297333610 |             |                               |     |
|---------------------------|-------------|-------------------------------|-----|
| ITEM                      | PART NUMBER | DESCRIPTION                   | QTY |
| 1                         | 297336900   | Center Trim U19               | 1   |
| 2                         | 297349010   | Trim Side RH U19              | 1   |
| 3                         | 297349011   | Trim Side LH U19              | 1   |
| 4                         | 297332710   | Trim Top Short U19 Dual       | 1   |
| 5                         | 297332810   | Trim Top Tall U19 Dual        | 1   |
| 6                         | 297333310   | Kick Plate U19 Dual           | 1   |
| 7                         | 297337700   | Carton, Packaging             | 1   |
| 8                         | 297343200   | Hardware Pack Dual U19        | 1   |
| 9                         | 297276900   | Lever Assembly Support System | 4   |



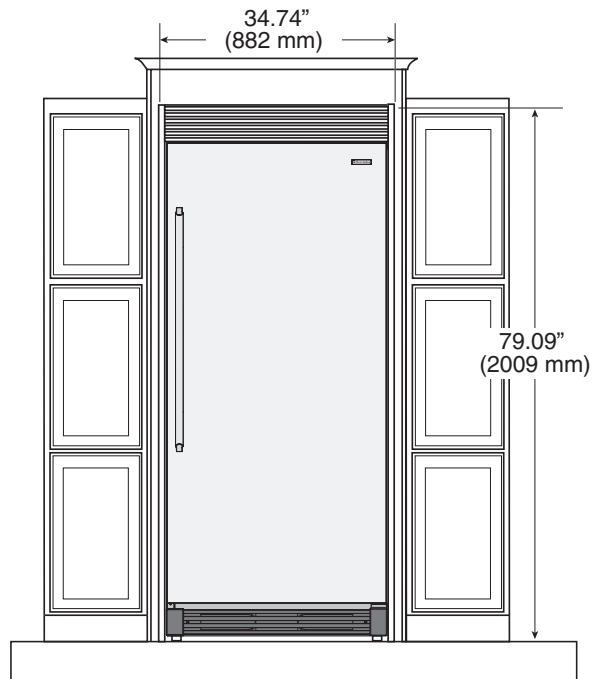
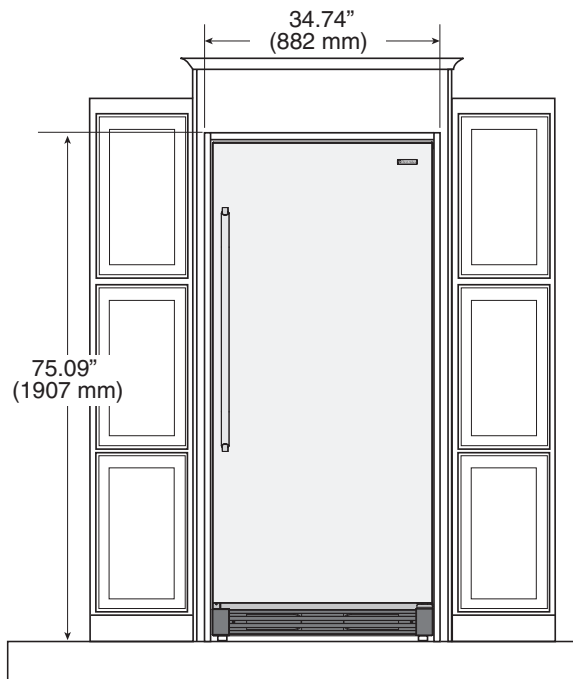
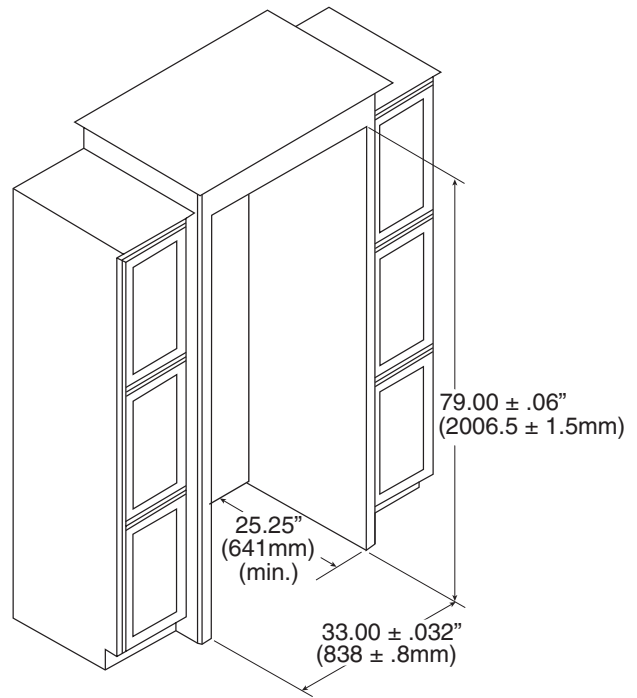
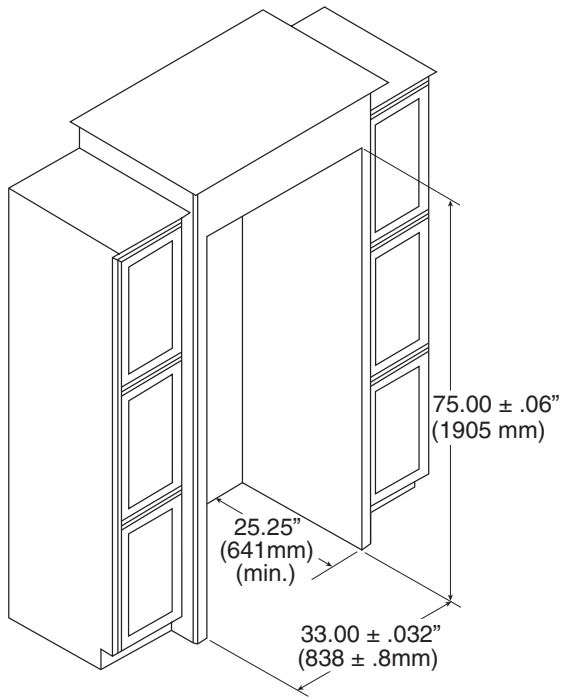
**NOTE:** All Hardware Pack components mentioned throughout this instruction sheet will have an "H" after the item number.

| Hardware Pack 297343200 |             |                           |     |
|-------------------------|-------------|---------------------------|-----|
| ITEM                    | PART NUMBER | DESCRIPTION               | QTY |
| 1H                      | 297333900   | Tie-Bar Hinge             | 2   |
| 2H                      | 297333901   | Tie-Bar Back              | 1   |
| 3H                      | 297236250   | Screw 1/4-20 x .63        | 18  |
| 4H                      | 297337000   | Screw FH 1/4-20 x .63     | 4   |
| 5H                      | 050149      | Screw TH #8-18 x .75 AB   | 8   |
| 6H                      | 297142600   | Screw FH #8-32 x .63      | 2   |
| 7H                      | 297299700   | Installation Instructions | 1   |



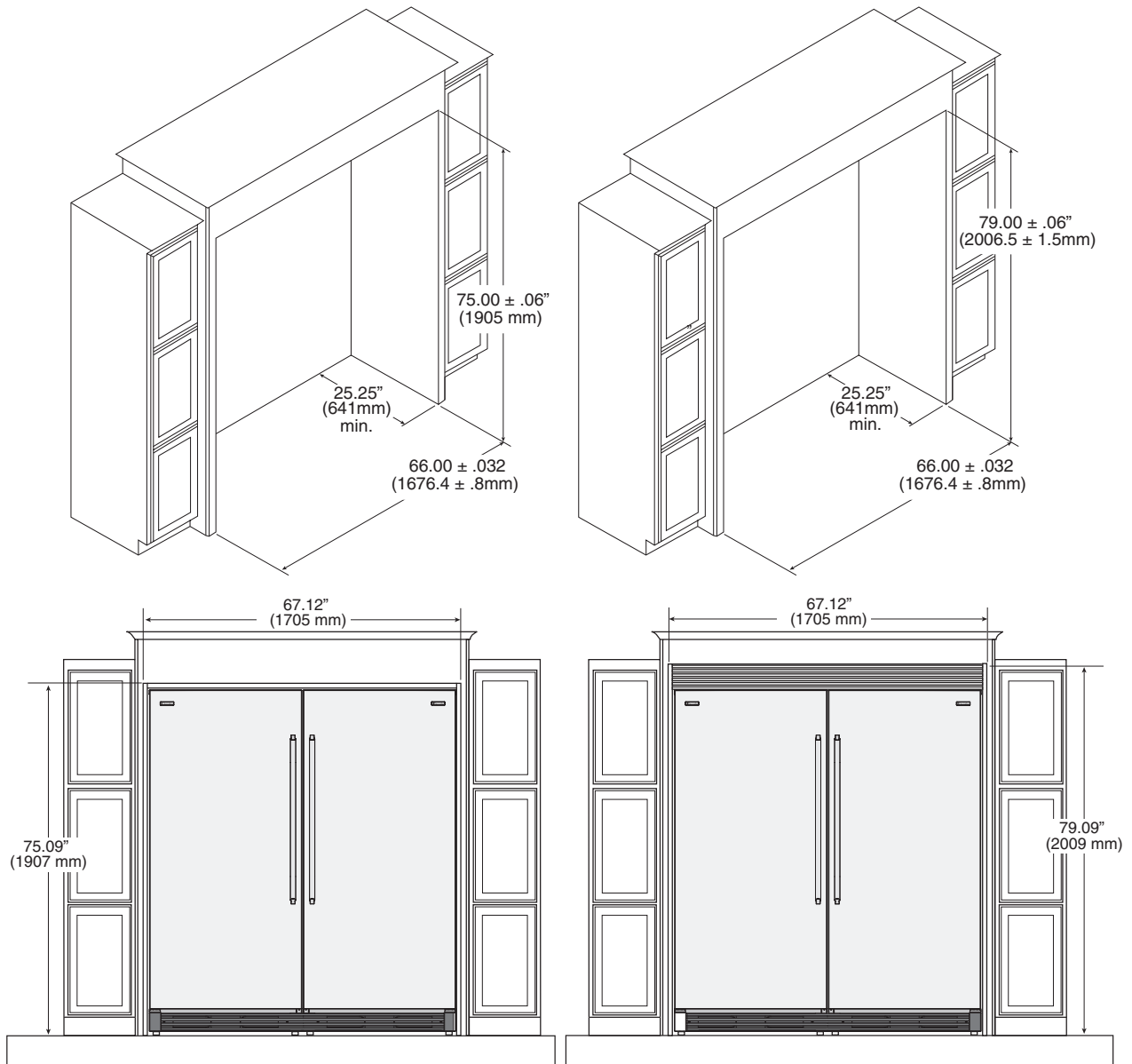
# INSTRUCTION SHEET

## TRIMKITSS1 (Part# 297333510) Trim Kit Dimensions



# INSTRUCTION SHEET

## TRIMKITSS2 (Part# 297333610) Trim Kit Dimensions



**Safety:** Always wear safety glasses when using power tools.

### Tools Needed:

- Phillips™ Screwdriver
- Flathead Screwdriver
- Safety Glasses
- Adjustable Wrench to fit 1-1/4"
- 3/8" Socket Wrench
- 7/16" Socket Wrench
- Step Ladder
- Tape Measure (min. 7" length)
- Drill & 1/8" Bit

### Before You Begin

- Be careful when unpacking components. Do not use sharp objects when removing packaging material. This may scratch the surface of trim components.
- Use extreme care when handling the metal trim pieces. Corners are very sharp and easily damaged if dropped.

# INSTRUCTION SHEET

## Setting Up The Trim And Grill Assembly (Single and Dual Installations)

1. Lay the parts out on a cleared area face down. Be sure to place a drop cloth over the floor to prevent scratching trim kit and/or floor. (See Figure 1).

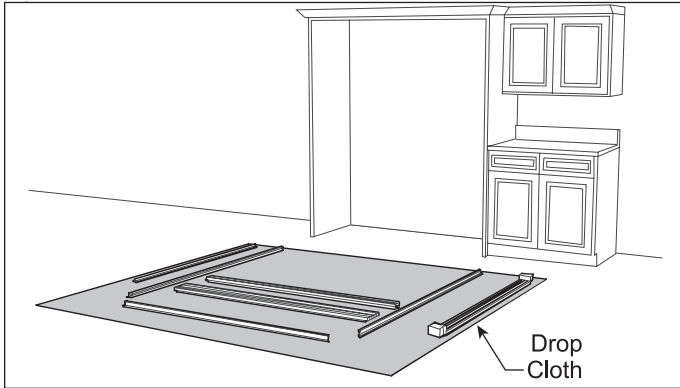


Figure 1.

2. Cut 4" (101.6mm) off the left and right Side Trim using the slot as a guide to make the proper size for a 75" (1905mm) cut-out. (See Figure 2).

**NOTE: DO NOT** cut the side trim if installing in a 79" (2006mm) opening.

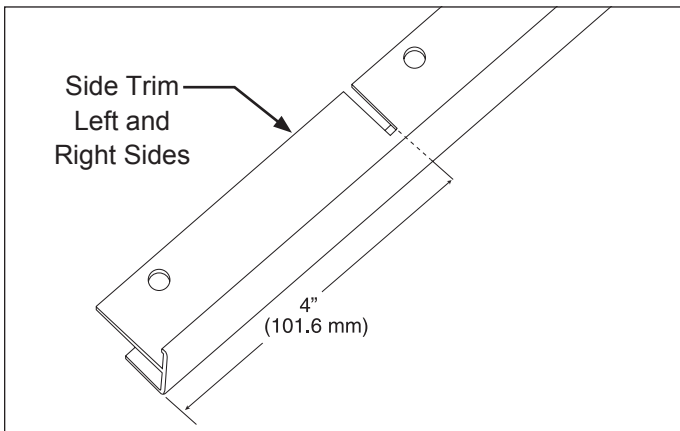


Figure 2.

## Leveling System Install (Single and Dual Installations)

3. a. Lie unit on its back on packaging material or a drop cloth to prevent damage.  
b. Remove (3) screws from each side and discard. (See Figure 3)  
c. Remove and save both plastic leg levelers to use in the next step.

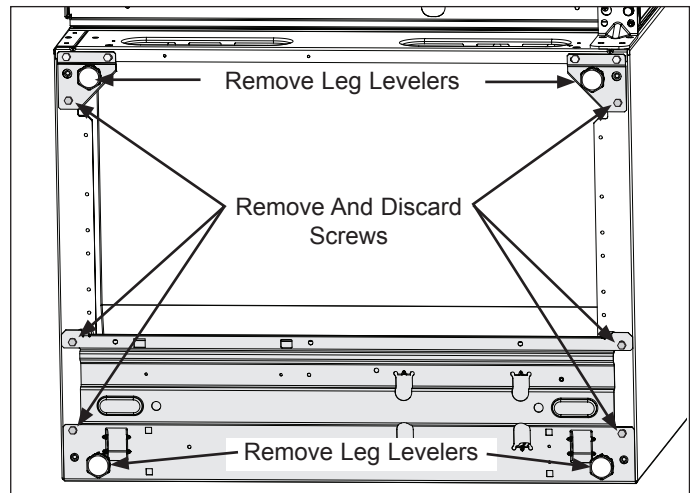


Figure 3.

4. a. Attach the current leg leveler to leveling system. The leg leveler is a common part that will work on both bottom sides of the unit. (See Figure 4).  
b. Attach leg leveler with three (3) screws per side using a 3/8 socket.  
c. Re-install the leg levelers.  
d. In order to provide clearance to access the rear screw hole, adjust the rear roller up out of the way. When finished, lower the rear roller back to its initial position.

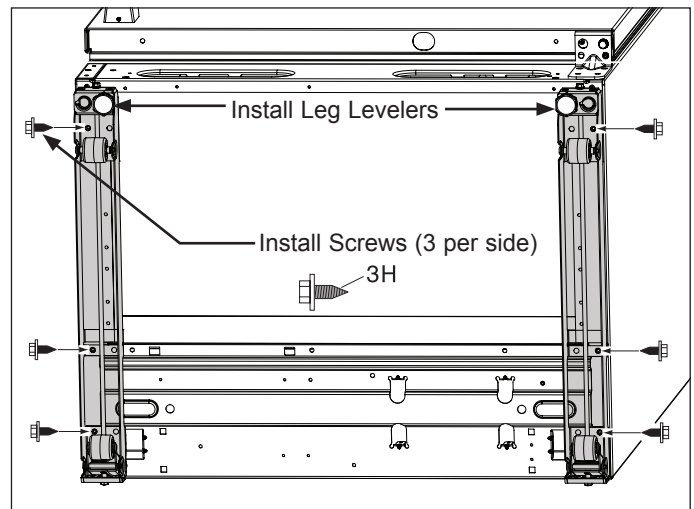


Figure 4.

# INSTRUCTION SHEET

## Trim Kit Installation

### Installing Trim Kit Tie Bar (Dual Installation Only)

**NOTE:** Leveling may be required to line up the holes in steps "a" and "d".

5. a. Tie units together by securing the mounting bracket at the back of the units with a 3/8" socket. (See Figure 5).
- b. Install center strip to insure the proper 3/8" gap is maintained between units. (See Figure 6).
- c. Tie units together with the common mounting bracket at the front top with two screws in the inner two screw holes by using a 3/8" socket. (See Figure 7)
- d. Tie units together with common mounting bracket at the bottom front using #3 Phillips driver. (See Figure 8)

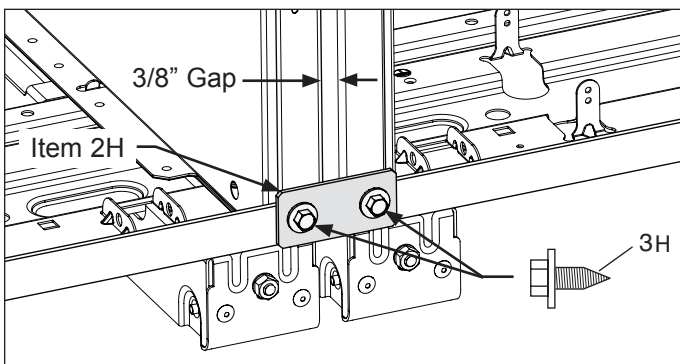


Figure 5.

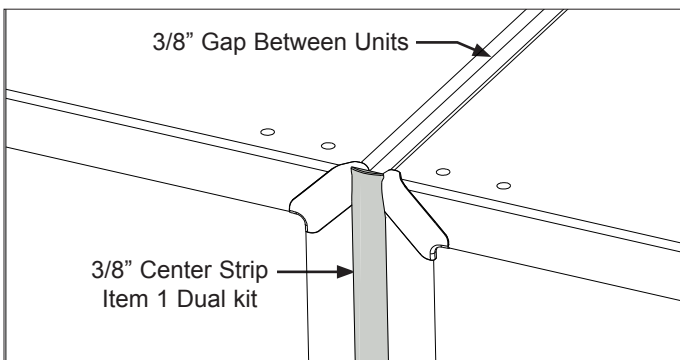


Figure 6.

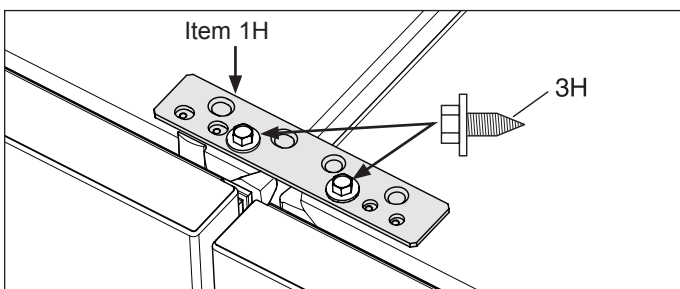


Figure 7.

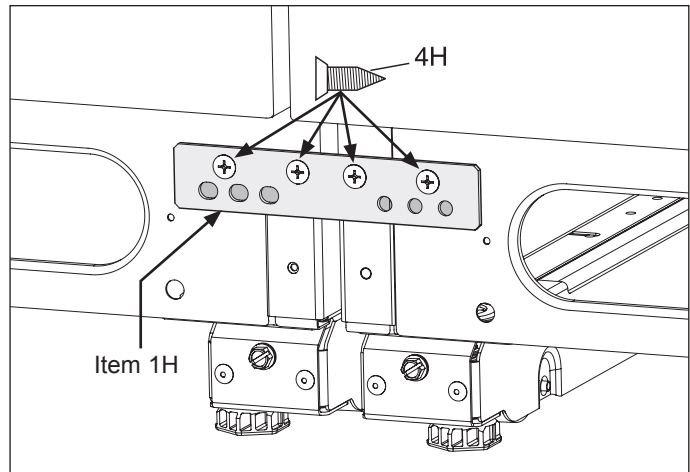


Figure 8.

### Trim Kit Installation (Single Unit Installation)

6. Remove outer screw from top hinge using a 3/8" socket driver or wrench and save for later. Install mounting bracket with one screw mounted to inside hole using a 3/8" socket. (See Figure 9).

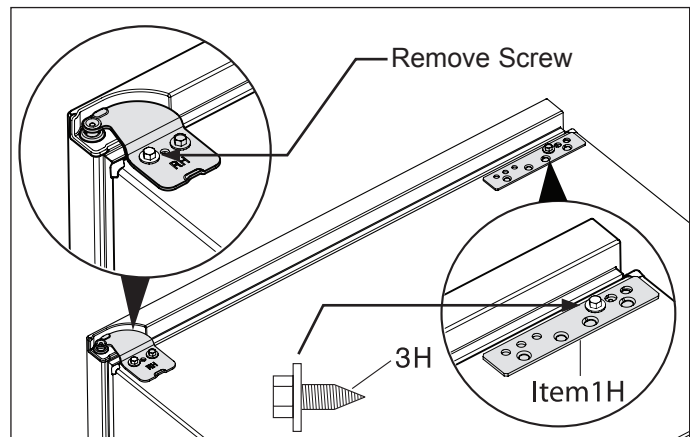


Figure 9.

### Side Trim Installation (Single and Dual Installations)

7. a. Position Left Hand Side Trim on cabinet trim with bottom resting on the floor.
- b. Drill the 1/8" (3mm) pilot hole.
- c. Run screw in all the way and then back out. Remove side trim for later install. (See Figure 10).

**NOTE:** Some cabinet substrates may require pre-drilling holes using a 1/8" (3mm) diameter drill bit.

# INSTRUCTION SHEET

8. a. Position Right Hand Side Trim on cabinet trim with bottom resting on the floor.
- b. Drill the 1/8" (3mm) pilot hole.
- c. Run screw in all the way and then back out. Remove side trim for later install. (See Figure 10).

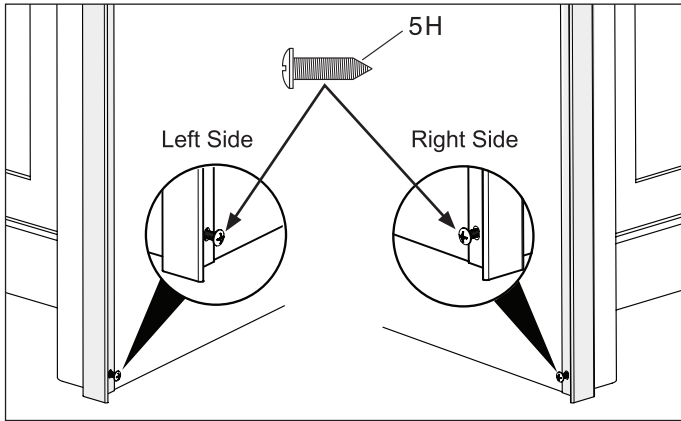


Figure 10.

## Top Trim Install (Single and Dual Installations)

**NOTE:** Step ladder required for installing top trim components.

9. a. Remove outer hinge screw common on both sides for a dual installation, (for a single installation this screw is removed in Step 6. Align the top trim and attach with a 3/8" socket. Repeat for opposite side. (See Figure 11).
- b. (Dual installation only) Install outer screws on common mounting bracket, align top trim and attach with 3/8" socket. (See Figure 12).

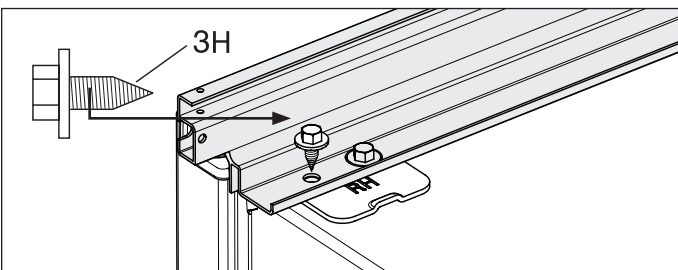


Figure 11.

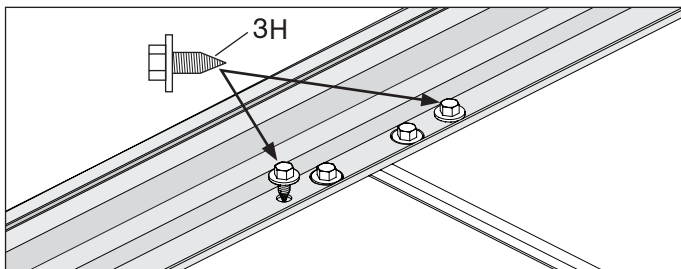


Figure 12.

## 10. 75" (1905mm) High Opening With Top Trim (Single and Dual Installations)

- a. Slide units into place. Adjust height so top trim height reaches 75.09" (1907mm). Center units in opening and level. (See Step 12 for leveling instructions)(See Figures 13 and 14)
- b. Drill 1/8" (3mm) pilot holes and fasten screws with a Phillips driver to kitchen cabinets.

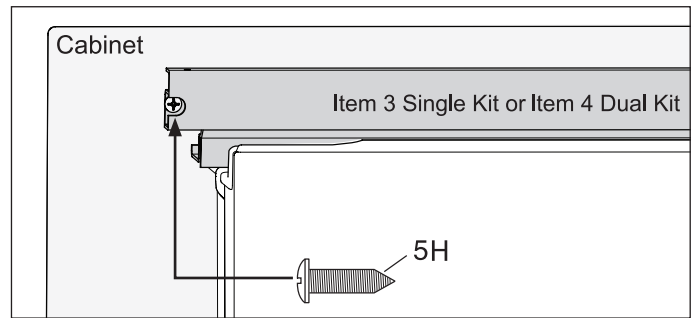


Figure 13.

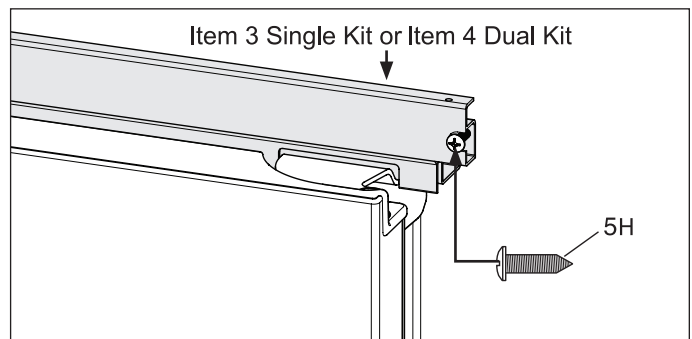


Figure 14.

## 11. 79" (2006mm) High Opening With Louvered Top Trim (Single and Dual Installations)

- a. Slide units into place. Adjust height so top trim height reaches 79.09" (2009mm). Center units in opening and level. (See Figure 15)
- b. Drill 1/8" pilot holes and fasten two (2) screws per side with a Phillips driver to kitchen cabinets.

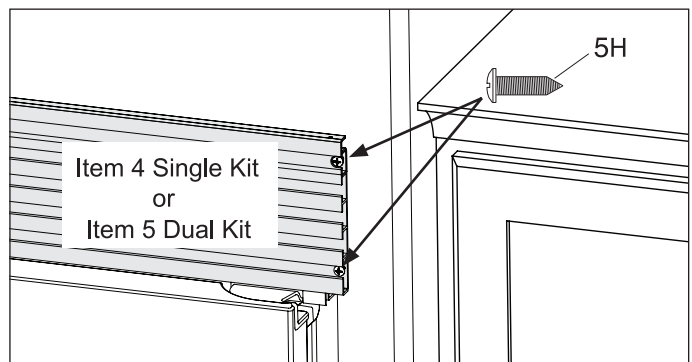


Figure 15.

# INSTRUCTION SHEET

## 12. Trim Kit Leveling (See Figure 16) (Single and Dual Installations)

- To raise front of unit, turn leg leveler to left with adjustable wrench to fit 1-1/4" hex.
- To raise back of unit, adjust bolt clockwise with 3/8" socket or flat head screwdriver

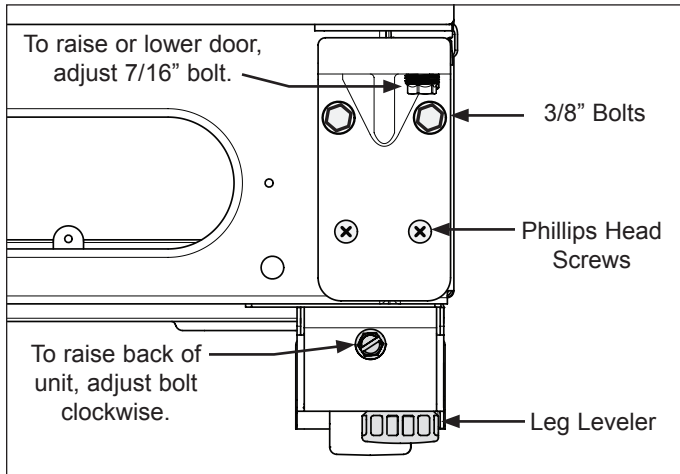


Figure 16.

## 13. Hinge Adjustment (See Figure 16) (Single and Dual Installations)

- The bottom hinge is designed to make final minor adjustments for door to door and door to cabinet alignment.
- Hinge will move side to side 3/32" and raise up 1/8".

Use a 7/16" socket or open end wrench to raise or lower the door.

Use a 3/8" socket and a Phillips screwdriver to loosen bottom hinge. Shift door left or right, then retighten screws and bolts.

## 14. Side Trim Attachment to Kitchen Cabinets (Single and Dual Installations)

- Fasten bottom of side trim with screw.  
(See Figure 17)
- Fasten screws to top trim. (See Figure 18)

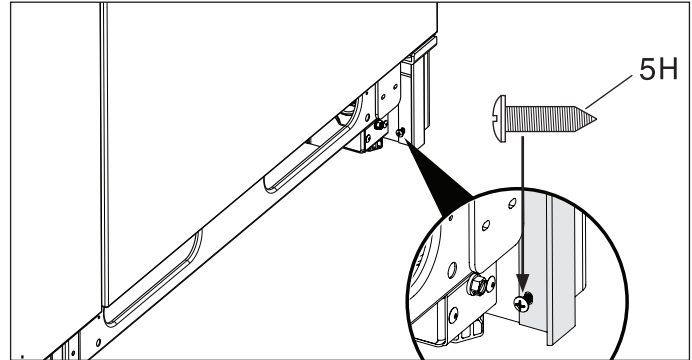


Figure 17.

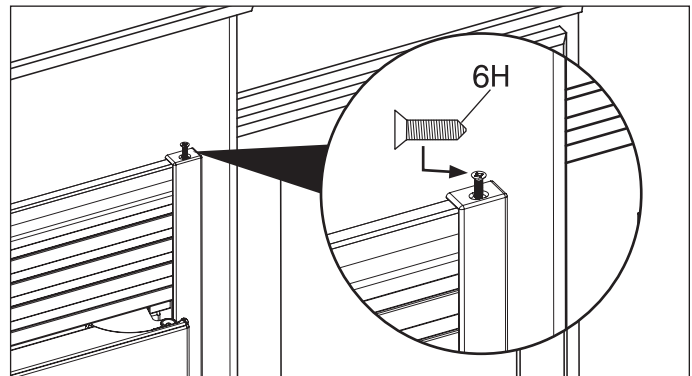


Figure 18.

## 15. Kick Plate Attachment

**(Single Unit)** Attach the kick plate to the cabinet with two (2) screws. (See Figure 19)

**(Dual Unit)** Attach the kick plate to the cabinet with four (4) screws. (See Figure 20)

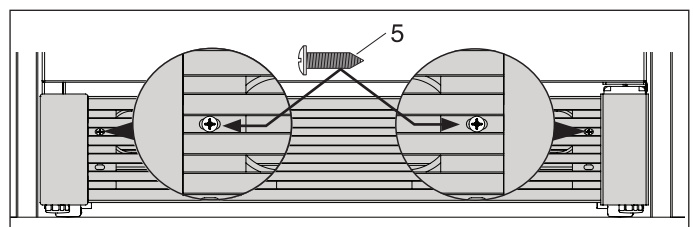


Figure 19.

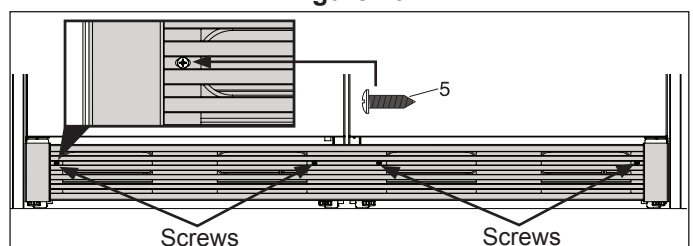


Figure 20.