



Refrigeration

Dependable performance. Innovative convenience.

Are you a side-by-side person? Or do you prefer a bottom-freezer refrigerator? Chances are, you already have a preference. And the good news is, Maytag offers a complete selection of stylish and dependable refrigerators with generous capacities and convenient features designed to keep food fresh and easily accessible.



WHICH STYLE IS RIGHT FOR YOUR KITCHEN?

Answer these questions to help determine which models and features you need to solve your everyday challenges.

1. Do you prefer a side-by-side model, but wish it offered wider freezer space?
2. Do your veggies or fruits often spoil because they get lost in the back of the crisper drawers?
3. Is it difficult to fit pitchers or other tall items in your fridge?
4. Are you tired of getting on your hands and knees to reach items buried in the back of your bottom freezer?
5. Would you like a refrigerator that looks built in — without the built-in price?
6. Would you like to keep icy-cold beverages close at hand during the big game — and show your team spirit, too?

Maytag® Wide-By-Side™ Refrigerators

More Space In The Right Place.

STANDARD FEATURES YOU DEPEND ON FROM MAYTAG

EXCLUSIVE DESIGN

FRESH FOOD FEATURES

- PuriClean® II Retractable Water/Ice Filter
- Water Filter Change Reminder
- Sealed FreshLock Crispers With Humidity Control
- Elevator™ Shelf
- Spill-Catcher™ Shelves
- Easy-Glide Tempered-Glass Shelves
- Spill-Catcher™ Glass Crisper Shelf
- Adjusti-Temp™ Deli Drawer

- Pick-Off Gallon-Plus Door Bins
- Covered Dairy Compartment
- BrightSeries™ Lighting Package

FREEZER FEATURES

- Adaptive Defrost Feature
- Automatic Ice Maker
- Pick-Off Door Bins
- 3 Freezer Lights
- Slide-Out Wire Freezer Baskets

BUILT-TO-LAST™ FEATURES

- Foam-To-The-Floor Construction
- Strongbox™ Hinge Design
- Easy-Roll Wheels
- Four-Point Leveling
- Radius Doors



Electronic FrontFill™ Dispenser

Conveniently fills tall glasses or pitchers with ice and water at the touch of a button. Features include control lockout option, auto night light and filter status. (select models)



Convenient Temperature Control

Upfront controls allow independent temperature adjustment in the fresh food and freezer compartments; select models include electronic touch-pad controls, digital displays and multiple temperature sensors for precise operation. (Electronic Triple-Cool™ system shown)



PuriClean® II Retractable Water Filter

The built-in PuriClean® II 750-gallon filter removes water impurities while retaining fluoride — and can save you over \$300.*

* Savings based on a 10-year period, comparing use of one Maytag® filter per year versus two competitive filters per year at a retail value of \$34.95 each.



MZD2669
25.6 CU. FT.

Standard Features Plus:

- Electronic Triple-Cool™ System
- Cool Flow™ Ventilation
- Electronic FrontFill™ Dispenser
- Speed Ice™ Feature
- Sealed FreshLock Crispers With Automatic Humidity Control
- OpenWide™ Fully Extendable Drawers
- Tilt-Out Door Bin
- Tall Bottle Retainer
- Egg Bin With Lid
- Fully Extendable Wire Freezer Baskets
- Tilt-Out Freezer Door Baskets
- QuietSeries™ 200 Sound Package

Colors: White, Bisque, Black, Stainless Steel
Available in March 2005.



MZD2667
25.6 CU. FT.

Standard Features Plus:

- Electronic Dual Cool™ System
- Electronic Ice And Water Dispenser
- Sealed FreshLock Crispers With Automatic Humidity Control
- OpenWide™ Fully Extendable Drawers
- Tilt-Out Door Bin
- Tall Bottle Retainer
- Egg Bin With Lid
- Tilt-Out Freezer Door Baskets
- QuietSeries™ 200 Sound Package

Colors: White, Bisque, Black, Stainless Steel



MZD2665
25.6 CU. FT.

Standard Features Plus:

- Dual Cool™ System
- Electronic Ice And Water Dispenser
- Removable Egg Cradle
- QuietSeries™ 100 Sound Package

Colors: White, Bisque, Black, Stainless Steel

Take The Wide-By-Side™ Challenge

The widest available shelf space in a traditional side-by-side.

Store large items easily. Deli trays, frozen pizzas and sheet cakes fit flat!



Maytag® Wide-By-Side™ Refrigerator



Traditional Side-By-Side Refrigerator



Maytag® Wide-By-Side™ Freezer



Traditional Side-By-Side Freezer

For additional feature information, see specification charts on page 64.

Maytag® Side-By-Side Refrigerators

Keep Food Fresh And Conveniently Accessible.

STANDARD FEATURES YOU DEPEND ON FROM MAYTAG

FRESH FOOD FEATURES

- Spill-Catcher™ Shelves
- Spill-Catcher™ Glass Crisper Shelf
- Sealed FreshLock Crispers With Humidity Control
- Adjusti-Temp™ Deli Drawer
- Pick-Off Gallon-Plus Door Bins
- Covered Dairy Compartment

FREEZER FEATURES

- Adaptive Defrost Feature
- Pick-Off Door Bins
- Freezer Lights
- Wire Freezer Shelves

BUILT-TO-LAST™ FEATURES

- Foam-To-The-Floor Construction
- Strongbox™ Hinge Design
- Easy-Roll Wheels
- Four-Point Leveling
- Radius Door



Electronic FrontFill™ Dispenser

Conveniently fills tall glasses or pitchers with ice and water at the touch of a button. Features include control lockout option, auto night light and filter status. (select models)



Convenient Temperature Control

Upfront controls allow independent temperature adjustment in the fresh food and freezer compartments; select models include electronic touch-pad controls, digital displays and multiple temperature sensors for precise operation. (Electronic Triple-Cool™ system shown)



Cabinet-Depth Design

Cabinet-depth refrigerators match standard kitchen dimensions for a clean look and a perfect fit. (select models)



MSD2659
25.6 CU. FT.

MSD2359
22.6 CU. FT.

Standard Features Plus:

- Electronic Triple-Cool™ System
- Cool Flow™ Ventilation
- Electronic FrontFill™ Dispenser
- Speed Ice™ Feature
- PuriClean® II Retractable Water/Ice Filter
- Elevator™ Shelf
- Sealed FreshLock Crispers With Automatic Humidity Control
- Beverage Organizer™ Rack
- Easy-Glide Tempered-Glass Shelves
- OpenWide™ Fully Extendable Drawers
- Fully Extendable Wire Freezer Baskets
- Tilt-Out Freezer Door Baskets
- BrightSeries™ Lighting Package
- QuietSeries™ 200 Sound Package

Colors: White, Bisque, Black, Stainless Steel
With Stainless Steel Towel Bar Handles
Available in March 2005.



MSD2657
25.6 CU. FT.

MSD2357
22.6 CU. FT.

Standard Features Plus:

- Electronic Dual Cool™ System
- Electronic Cube/Crushed Ice And Water Dispenser With Water Filter Change Reminder
- PuriClean® II Retractable Water/Ice Filter
- Elevator™ Shelf
- Sealed FreshLock Crispers With Automatic Humidity Control
- Easy-Glide Tempered-Glass Shelves
- OpenWide™ Fully Extendable Drawers
- Tilt-Out Wire Freezer Baskets
- BrightSeries™ Lighting Package
- QuietSeries™ 200 Sound Package

Colors: White, Bisque, Black, Stainless Steel

Note: Full-length handles not available on Stainless Steel models on pages 52 and 53.



MSD2655
25.6 CU. FT.

MSD2355
22.6 CU. FT.

Standard Features Plus:

- Dual Cool™ System
- Electronic Cube/Crushed Ice And Water Dispenser With Water Filter Change Reminder
- PuriClean® II Retractable Water/Ice Filter
- Elevator™ Shelf
- Easy-Glide Tempered-Glass Shelves
- BrightSeries™ Lighting Package
- QuietSeries™ 100 Sound Package

Colors: White, Bisque, Black, Stainless Steel



MSD2651
25.6 CU. FT.

MSD2351
22.6 CU. FT.

Standard Features Plus:

- Dual Cool™ System
- Electronic Cube/Crushed Ice And Water Dispenser With Water Filter Change Reminder
- PuriClean® II Retractable Water/Ice Filter
- QuietSeries™ 100 Sound Package

Colors: White, Bisque, Black, Stainless Steel

For additional feature information, see specification charts on pages 64 and 65.



MSB2654
25.5 CU. FT.

Standard Features Plus:

- Dual Cool™ System
- Elevator™ Shelf
- OpenWide™ Fully Extendable Drawers
- Beverage Organizer™ Rack
- Easy-Glide Tempered Glass Shelf
- Tilt-Out Wire Freezer Baskets
- Optional Ice Maker Kit (UKI2500AXX)
- QuietSeries™ 100 Sound Package

Colors: White, Bisque



**CABINET-DEPTH DESIGN
MCD2257**
21.6 CU. FT.

MCB2256 MCB2256 does not feature an ice and water dispenser or PuriClean® II retractable filter.
21.5 CU. FT.

Standard Features Plus:

- Electronic Dual Cool™ System
- Electronic Cube/Crushed Ice And Water Dispenser With Water Filter Change Reminder
- PuriClean® II Retractable Water/Ice Filter
- Elevator™ Shelf
- Sealed FreshLock Crispers With Automatic Humidity Control
- Easy-Glide Tempered-Glass Shelves
- OpenWide™ Fully Extendable Drawers
- Tilt-Out Wire Freezer Baskets
- BrightSeries™ Lighting Package
- QuietSeries™ 200 Sound Package

Colors: White, Bisque, Black, Stainless Steel
(Model MCB2256 is not available in Bisque.)

Maytag® French Door Bottom-Freezer

The Best Of A Side-By-Side And Bottom-Freezer In One.



STANDARD FEATURES YOU DEPEND ON FROM MAYTAG

FRESH FOOD FEATURES

- Sealed FreshLock Crispers With Humidity Control
- Adjustable Tempered-Glass Spill-Catcher™ Shelves
- Pick-Off Gallon-Plus Door Bins
- Covered Dairy Compartment
- BrightSeries™ Lighting Package

FREEZER FEATURES

- Glide-Out Freezer Drawer With SmoothClose™ Drawer Track System
- Freezer Light
- Slide-Out Wire Freezer Basket
- Ice Bin
- Factory-Installed Ice Maker

BUILT-TO-LAST™ FEATURES

- Foam-To-The-Floor Construction
- Strongbox™ Hinge Design
- Easy-Roll Wheels
- Four-Point Leveling
- Radius Doors

French Door Bottom-Freezer Refrigerator

Combines the benefits of a side-by-side and a bottom-freezer refrigerator — fresh food is at eye level, and twin refrigerator doors fit any kitchen design.

PureChill™ Internal Filtered Water Dispenser

Get cold, filtered water from inside the fridge. Plus, our advanced filter performance gives you great-tasting water. (select models)

Convenient Temperature Control

Upfront controls allow independent temperature adjustment in the fresh food and freezer compartments; select models include electronic touch-pad controls, digital displays and multiple temperature sensors for precise operation. (Electronic Triple-Cool™ system shown)



FRENCH DOOR MFD2561
24.8 CU. FT.

Standard Features Plus:

- Electronic Triple-Cool™ System
- Twin Fresh Food Doors
- PureChill™ Internal Water Dispenser
- Speed Ice™ Feature
- PuriClean® II Retractable Water/Ice Filter
- Easy-Glide Shelves
- Elevator™ Shelf
- Wide-N-Fresh™ Deli Drawer
- Lower Basket Divider
- QuietSeries™ 200 Sound Package

Colors: White, Bisque, Black, Stainless Steel
With Stainless Steel Towel Bar Handles
Available in March 2005.



FRENCH DOOR MFD2560
24.8 CU. FT.

Standard Features Plus:

- Electronic Dual Cool™ System
- Twin Fresh Food Doors
- PureChill™ Internal Filtered Water Dispenser
- PuriClean® II Retractable Water/Ice Filter
- Easy-Glide Shelves
- Elevator™ Shelf
- Wide-N-Fresh™ Deli Drawer
- Lower Basket Divider
- QuietSeries™ 200 Sound Package

Colors: White, Bisque, Black, Stainless Steel

Model only available until March 2005, will be replaced by MFD2561.



FRENCH DOOR MFF2557
24.8 CU. FT.

Standard Features Plus:

- Electronic Dual Cool™ System
- Twin Fresh Food Doors
- Wide-N-Fresh™ Deli Drawer
- Beverage Organizer™ Rack
- Lower Basket Divider
- QuietSeries™ 200 Sound Package

Colors: White, Bisque, Black, Stainless Steel



CABINET-DEPTH DESIGN FRENCH DOOR MFC2061
19.6 CU. FT.

Standard Features Plus:

- Electronic Triple-Cool™ System
- Twin Fresh Food Doors
- PureChill™ Internal Water Dispenser
- Speed Ice™ Feature
- PuriClean® II Retractable Water/Ice Filter
- Easy-Glide Shelves
- Wide-N-Fresh™ Deli Drawer
- Lower Basket Divider
- QuietSeries™ 200 Sound Package

Colors: White, Black, Stainless Steel With
Stainless Steel Towel Bar Handles
Available in April 2005.

Cabinet-Depth Design

Cabinet-depth refrigerators match standard kitchen dimensions for a clean look and a perfect fit.



For additional feature information, see specification charts on page 66.

French Door Bottom-Freezer refrigerator design is a trademark of Maytag Corporation.

Maytag® Bottom-Freezer Refrigerators

Take Performance To Another Level.



STANDARD FEATURES YOU DEPEND ON FROM MAYTAG

FRESH FOOD FEATURES

- Sealed FreshLock Crispers With Humidity Control
- Adjustable Tempered-Glass Shelves
- Pick-Off Gallon-Plus Door Bins
- Covered Dairy Compartment
- BrightSeries™ Lighting Package

FREEZER FEATURES

- Freezer Light
- Slide-Out Wire Freezer Basket
- Ice Bin

BUILT-TO-LAST™ FEATURES

- Foam-To-The-Floor Construction
- Strongbox™ Hinge Design
- Easy-Roll Wheels
- Radius Doors

Bottom-Freezer Design

Puts the fresh food that you reach for most often at eye level for convenience. Practical storage solutions make frozen food easier to see and organize.

Convenient Temperature Control

Upfront controls allow independent temperature adjustment in the fresh food and freezer compartments; select models include electronic touch-pad controls, digital displays and multiple temperature sensors for precise operation. (Electronic Triple-Cool™ system shown)

Elevator™ Shelf

Make room without unloading the food. Rolls up and down smoothly — even when loaded with food — to accommodate tall items like pitchers of lemonade. (select models)



MBF2562
25.1 CU. FT.

MBF2262
22.1 CU. FT.

Standard Features Plus:

- Electronic Triple-Cool™ System
- Glide-Out Freezer Drawer With SmoothClose™ Drawer Track System
- Speed Ice™ Feature
- Easy-Glide Shelves
- Spill-Catcher™ Shelves
- Elevator™ Shelf
- Wide-N-Fresh™ Deli Drawer
- Beverage Organizer™ Rack
- Lower Basket Divider
- Factory-Installed Ice Maker
- Four-Point Leveling
- QuietSeries™ 200 Sound Package

Colors: White, Bisque, Black
Available in March 2005.

MBR2562/MBL2562
25.1 CU. FT.

MBR2262/MBL2262
22.1 CU. FT.

Same features as MBF2562/MBF2262. Specify right-swing door (MBR2562, MBR2262) or left-swing door (MBL2562, MBL2262) when ordering.

Color: Stainless Steel With Stainless Steel Towel Bar Handles
Available in March 2005.

MBF2558
25.1 CU. FT.

MBF2258
22.1 CU. FT.

Standard Features Plus:

- Electronic Dual Cool™ System
- Glide-Out Freezer Drawer With SmoothClose™ Drawer Track System
- Easy-Glide Shelves
- Spill-Catcher™ Shelves
- Elevator™ Shelf
- Wide-N-Fresh™ Deli Drawer
- Beverage Organizer™ Rack
- Lower Basket Divider
- Factory-Installed Ice Maker
- Four-Point Leveling
- QuietSeries™ 200 Sound Package

Colors: White, Bisque, Black, Stainless Steel

Models only available until March 2005, will be replaced by MBF2562 and MBF2262.

MBF2556
25.1 CU. FT.

MBF2256
22.1 CU. FT.

MBF1956
18.6 CU. FT.

Standard Features Plus:

- Electronic Dual Cool™ System
- Glide-Out Freezer Drawer With SmoothClose™ Drawer Track System
- Easy-Glide Shelves
- Spill-Catcher™ Shelves
- Clear Deli Drawer
- Lower Basket Divider
- Factory-Installed Ice Maker
- Four-Point Leveling
- QuietSeries™ 200 Sound Package

Colors: White, Bisque, Black, Stainless Steel

MBF2254
22.1 CU. FT.

Standard Features Plus:

- Electronic Dual Cool™ System
- Swing-Out Freezer Door
- Clear Deli Drawer
- Wire Freezer Shelf
- Factory-Installed Ice Maker
- QuietSeries™ 100 Sound Package

Colors: White, Bisque, Black, Stainless Steel

MBB1952
18.6 CU. FT.

Standard Features Plus:

- Dual Cool™ System
- Swing-Out Freezer Door
- Clear Deli Drawer
- Wire Freezer Shelf
- Optional Ice Maker
- QuietSeries™ 100 Sound Package

Colors: White, Bisque

Maytag® Top-Freezer Refrigerators

Packed With Features For Outstanding Performance.



Cool Flow™ Ventilation
Multiple vents in the fresh food and freezer compartments circulate cold air around large items. (select models)



Spill-Catcher™ Shelves
Sealed around the edges to contain liquids for quick and easy cleanup. (select models)



Sealed FreshLock Crispers With Humidity Control
The best place to store fruits and vegetables! Adjustable humidity control helps keep produce fresh longer. (select models)

STANDARD FEATURES YOU DEPEND ON FROM MAYTAG

FRESH FOOD FEATURES

- Glass Crisper Shelf
- Covered Dairy Compartment
- Refrigerator Lights
- Automatic Moisture Control

FREEZER FEATURES

- Deep Fixed Door Bins

EXTERIOR FEATURES

- Reversible Doors

BUILT-TO-LAST™ FEATURES

- Strongbox™ Hinge Design
- No-Clean™ Commercial-Duty Condenser
- Easy-Roll Wheels
- Dart-In-Channel Gaskets



MTB2195
20.97 CU. FT.

MTB1895
17.99 CU. FT.

Standard Features Plus:

- Cool Flow™ Ventilation
- Easy-Glide Glass Shelves
- Split Spill-Catcher™ Shelves
- Sealed FreshLock Crispers With Humidity Control
- Pick-Off Dairy Compartment
- Clear Snack Center Drawer
- Pick-Off Gallon-Plus Door Bins
- Removable Egg Cradle
- Full-Width Freezer Shelf
- Tilt-Out Freezer Door Basket
- QuietSeries™ 200 Sound Package

Colors: White, Bisque, Black, Stainless Steel



MTF2195
20.97 CU. FT.

MTF1895
17.99 CU. FT.

Standard Features Plus:

- Cool Flow™ Ventilation
- Easy-Glide Glass Shelves
- Split Spill-Catcher™ Shelves
- Sealed FreshLock Crispers With Humidity Control
- Pick-Off Dairy Compartment
- Clear Snack Center Drawer
- Pick-Off Gallon-Plus Door Bins
- Removable Egg Cradle
- Full-Width Freezer Shelf
- Tilt-Out Freezer Door Basket
- Factory-Installed Ice Maker
- QuietSeries™ 200 Sound Package

Colors: White, Bisque, Black, Stainless Steel



MTF2193
20.97 CU. FT.

MTF1893
17.99 CU. FT.

Standard Features Plus:

- Cool Flow™ Ventilation
- Full-Width Spill-Catcher™ Shelves
- Sealed FreshLock Crispers With Humidity Control
- Clear Snack Center Drawer
- Pick-Off Gallon-Plus Door Bins
- Full-Width Freezer Shelf
- Factory-Installed Ice Maker
- QuietSeries™ 100 Sound Package

Colors: White, Bisque, Black, Stainless Steel



MTB2191
20.97 CU. FT.

MTB1891
17.99 CU. FT.

Standard Features Plus:

- 2 Full-Width Glass Shelves
- Sealed FreshLock Crispers With Humidity Control
- Fixed Gallon-Plus Door Bins
- Clear Snack Center Drawer
- Full-Width Freezer Shelf
- QuietSeries™ 100 Sound Package

Colors: White, Bisque



MTB1504
15.0 CU. FT.

Standard Features Plus:

- Glass Shelves
- Fixed Gallon Door Bins
- Integrated Handle
- Sealed FreshLock Crispers With Humidity Control
- Full-Width Freezer Shelf
- Quiet Pack Sound Package

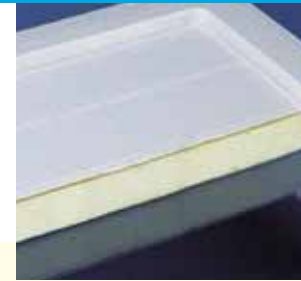
Colors: White, Bisque, Stainless Steel



MTB1504 (Stainless Steel, closed doors shown)

Maytag® Upright And Chest Freezers

Dependable, Energy-Saving Frozen Food Storage.



STANDARD FEATURES YOU DEPEND ON FROM MAYTAG

UPRIGHT FREEZER FEATURES

- Adjustable Temperature Control
- Interior Light
- Fast-Freeze Setting
- Recessed Handle
- Textured-Steel Cabinet
- Lock With Key
- 2 Front Leveling Legs
- Epoxy-Coated Shelves
- Full-Width Wire Shelves

CHEST FREEZER FEATURES

- EvenFreeze™ Food Preservation System
- Adjustable Temperature Control
- 2 Removable Baskets
- Interior Light
- Grip Handle
- Counterbalanced Lid
- Textured-Steel Cabinet And Lid
- Lock With Key

BUILT-TO-LAST™ FEATURES

- Foamed Door/Lid
- Smooth Rust- And Impact-Resistant Liner
- Up To A 10-Year Food-Loss Warranty

Foam-Insulated Door And Cabinet

Innovative door gaskets seal cold air tightly inside to help save on energy costs. (upright models)

Fast-Freeze Setting

Makes it easy to adjust the temperature for quick freezing. (upright models)

Defrost Drain With Cover

An exterior defrost drain allows water to flow out of freezer for easy disposal. (select models)

Adjustable Temperature Control

Allows you to adjust the temperature without opening the freezer lid. (chest models)



MQU2057
19.6 CU. FT.

- Standard Features Plus:**
- 588 Lbs. Of Frozen Food Storage
 - Auto Defrost
 - 6 Fixed Door Bins
 - Lower Basket
- Color: White



MQU2056
19.6 CU. FT.

- Standard Features Plus:**
- 588 Lbs. Of Frozen Food Storage
 - Manual Defrost
 - 6 Fixed Door Bins
 - Defrost Drain
 - Storage Gate
- Color: White



MQU1556
15.0 CU. FT.

- Standard Features Plus:**
- 450 Lbs. Of Frozen Food Storage
 - Auto Defrost
 - 4 Fixed Door Bins
 - Storage Gate
- Color: White



MQU1554
15.2 CU. FT.

- Standard Features Plus:**
- 456 Lbs. Of Frozen Food Storage
 - Manual Defrost
 - 4 Fixed Door Bins
 - Defrost Drain
 - Storage Gate
- Color: White



MQC2257
21.7 CU. FT.

- Standard Features Plus:**
- 545 Lbs. Of Frozen Food Storage
 - Manual Defrost
 - Defrost Drain
- Color: White



MQC1557
14.8 CU. FT.

- Standard Features Plus:**
- 444 Lbs. Of Frozen Food Storage
 - Manual Defrost
 - Defrost Drain
- Color: White

SkyBox™ Personal Beverage Vendor By Maytag™

For The Bragging Rights.™

STANDARD FEATURES YOU DEPEND ON FROM MAYTAG

EXCLUSIVE DESIGN

SKYBOX™ VENDOR FEATURES

- Dispenses Your Favorite Beverages — No Coins Required
- Personalize Each Sports Season With Your Favorite Team — Select From NBA, NFL, MLB, NHL, NASCAR Drivers, WWE Stars And College Teams.*

- Backlit Front Display Panel
- Holds 64 Cans, 32 Bottles Or A Combination Of Both
- Includes Beverage Cards For 24 Popular Brands*
- Child-Safety Feature Locks Out Selections Or The Entire Unit

- Optional SkyBase™ Stand Stores Snacks, DVDs Or Beverage Refills
- Jam Detection Device



Pick Your Favorite Team

Show off your true colors with customizable, interchangeable front and side display panels. Select from more than 250 logos from NBA, NFL, MLB, NHL, NASCAR Drivers, WWE Stars and College Teams.*

SkyBase™ Storage Stand

The optional SkyBase™ stand gives you the perfect room-temperature space to store your snacks, DVDs or beverage refills.

Holds Your Favorite Beverages

SkyBox™ vendor accepts bottles and cans in any combination — no coins required! With the easy-load design, you can fit 64 cans (12 oz.) or 32 glass or plastic bottles (12 oz.) inside — or a combination of each.

For the serious sports fan, the SkyBox™ personal beverage vendor is the ultimate game-day accessory — and the sure-fire way to turn any basement or rec room into an instant ManCave™.



MBV1976AAB
MBS1976AAB



MBV1976AAP
MBS1976AAP

SkyBox™ Personal Beverage Vendor By Maytag™ Dimensions — in. (cm)

	SkyBox™ Vendor MBV1976	SkyBase™ Stand MBS1976	SkyBox™ Vendor With SkyBase™ Stand
Height	33 1/2 (85.1)	25 (63.5)	58 1/2 (148.6)
Width	24 (61)	24 (61)	24 (61)
Depth	22 1/2 (56.1)	22 1/2 (56.1)	22 1/2 (56.1)
Weight — lbs. (kg)	101 (45.8)	56 (25.4)	157 (71.2)

Exterior Color Options



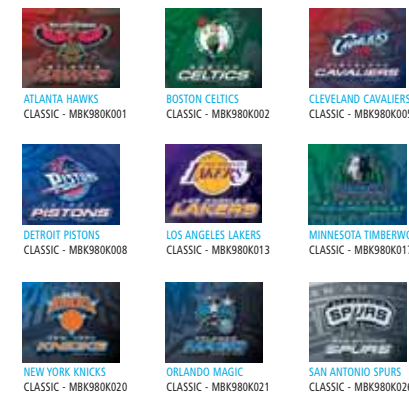
Pitch Black



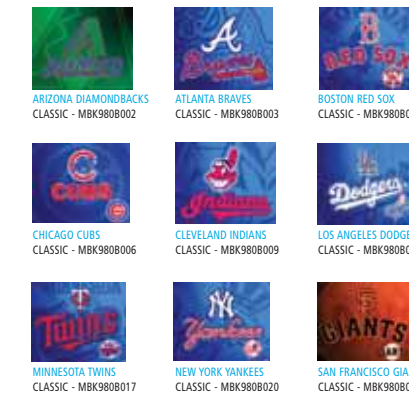
Grid Iron Platinum

Here is a sampling of more than 250 available SkyBox™ vendor display panels. Check out www.skyboxbymaytag.com for the full lineup!

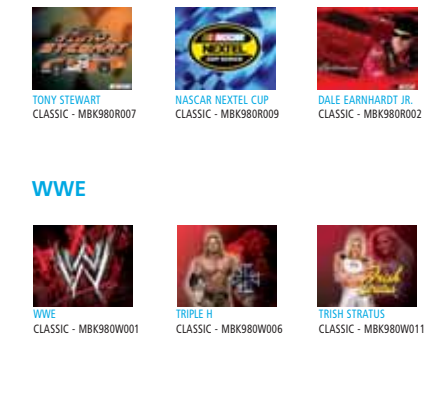
NATIONAL BASKETBALL ASSOCIATION



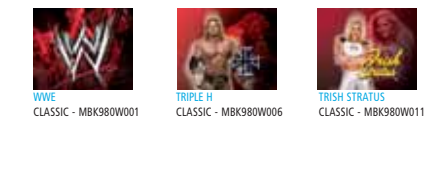
MAJOR LEAGUE BASEBALL



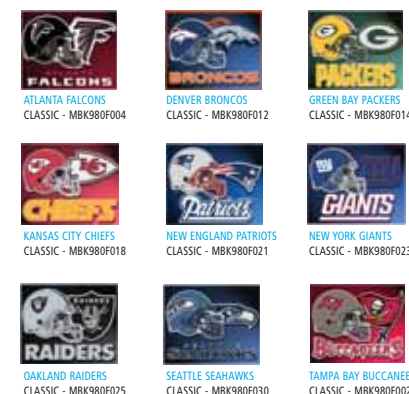
NASCAR



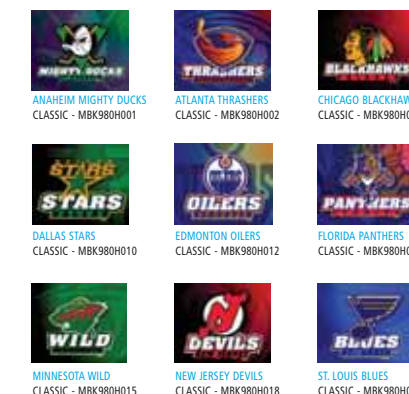
WWE



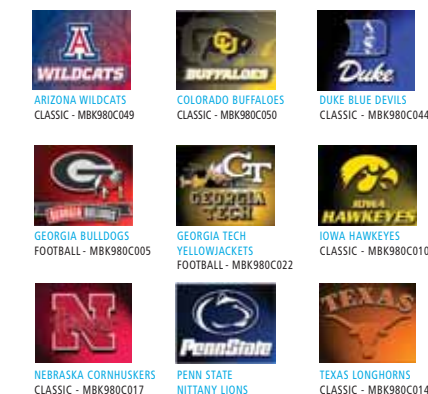
NATIONAL FOOTBALL LEAGUE



NATIONAL HOCKEY LEAGUE



COLLEGE BASKETBALL AND FOOTBALL



* Please visit our Web site at www.skyboxbymaytag.com to view the most current list of available panels and beverage cards.

Wide-By-Side™

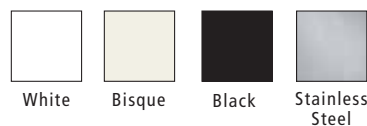
Models	MZD2669	MZD2667	MZD2665
REFRIGERATOR FEATURES			
ENERGY STAR®-Qualified	★	★	★
Triple-Cool™ System	Electronic		
Dual Cool™ System		Electronic	■
PuriClean® II Retractable Water/Ice Filter	750-Gallon	750-Gallon	750-Gallon
Adjustable Tempered-Glass Shelves	3	3	3
Elevator™ Shelf	■	■	■
Spill-Catcher™ Shelves	■	■	■
Easy-Glide Shelves	3	3	3
Spill-Catcher™ Glass Crisper Shelf	■	■	■
Sealed FreshLock Crispers:			
With Automatic Humidity Control	2 Fully Extendable	2 Fully Extendable	
With Humidity Control			2 Roll-Out
OpenWide™ Fully Extendable Drawers	■	■	
Adjusti-Temp™ Deli Drawer	■	■	■
Pick-Off Gallon-Plus Door Bins	4	4	5
Tilt-Out Door Bin	■	■	
Covered Dairy Compartment	■	■	■
Removable Egg Cradle			■
Egg Bin With Lid	■	■	■
Tall Bottle Retainer	■	■	■
BrightSeries™ Lighting Package			■
Refrigerator Lights	3	3	3
Automatic Moisture Control	■	■	■
FREEZER FEATURES			
Adaptive Defrost Feature	■	■	■
Speed Ice™ Feature	■	■	■
Factory-Installed Ice Maker	■	■	■
Wire Shelves	1	1	3
Slide-Out Wire Baskets	3 Fully Extendable	3	1
Tilt-Out Wire Door Baskets	2	2	
Pick-Off Door Bins	2	2	4
Freezer Lights	3	3	3
EXTERIOR FEATURES			
Electronic FrontFill™ Dispenser	■	■	■
Electronic Cube/Crushed Ice And Water Dispenser	■	■	■
Water Filter Change Reminder Light	■	■	■
Radius Doors	■	■	■
Sound Package	QuietSeries™ 200	QuietSeries™ 200	QuietSeries™ 100
Foam Door Insulation	■	■	■
Front-Adjustable Four-Point Leveling	■	■	■
COLOR AVAILABILITY			
White	■	■	■
Bisque	■	■	■
Black	■	■	■
Stainless Steel With Black Cabinet	■	■	■
VOLUME			
Total Shelf Area — sq. ft. (sq. m)	24.3 (2.3)	24.3 (2.3)	25.1 (2.3)
Total Volume — cu. ft. (cu. m)	25.6 (0.72)	25.6 (0.72)	25.6 (0.72)
Fresh Food Volume — cu. ft. (cu. m)	16.3 (0.46)	16.3 (0.46)	16.3 (0.46)
Freezer Volume — cu. ft. (cu. m)	9.2 (0.26)	9.2 (0.26)	9.2 (0.26)

Because of continuous product improvement, Maytag reserves the right to change specifications without notice.

Optional Door Panel Trim Kit:

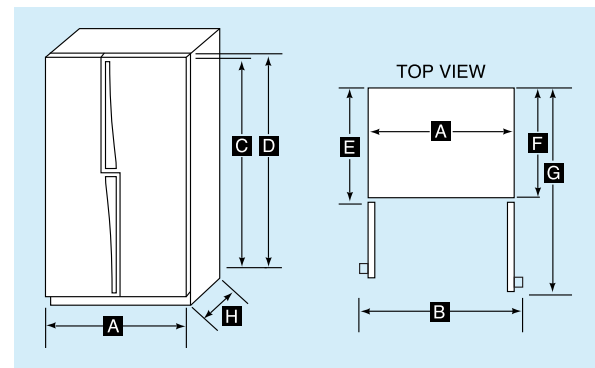
Decorator panels, trim (for wood panels), and trim and panel kits are available for all Maytag® side-by-side refrigerators. Panels are available in acrylic, mirrored, stainless steel, satin alloy, solid surface and real wood. To order, call Frigo Design at 1-800-836-8746. Be sure to provide refrigerator model number when ordering.

Exterior Color Options



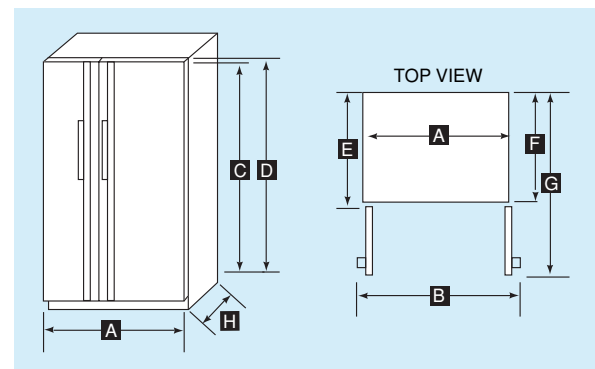
Maytag® Wide-By-Side™ And Side-By-Side Dimensions

	Wide-By-Side™		Side-By-Side								
	MZD2669	MZD2667	MSD2659	MSD2657	MSD2655	MSD2359	MSD2357	MSD2355	MSB2654	MCD2257	MCB2256
A	35 3/8 (90.5)	35 3/8 (90.5)	32 3/8 (82.9)	35 3/8 (90.5)	35 3/8 (90.5)	35 3/8 (90.5)	35 3/8 (90.5)	35 3/8 (90.5)	35 3/8 (90.5)	35 3/8 (90.5)	35 3/8 (90.5)
B	40 3/4 (103.5)	40 3/4 (103.5)	37 3/4 (95.5)	40 3/4 (103.5)	40 3/4 (103.5)	40 3/4 (103.5)	40 3/4 (103.5)	40 3/4 (103.5)	40 3/4 (103.5)	40 3/4 (103.5)	40 3/4 (103.5)
C	68 1/2 (174)	68 1/2 (174)	66 7/8 (169.9)	68 1/2 (174)	68 1/2 (174)	68 1/2 (174)	68 1/2 (174)	68 1/2 (174)	68 1/2 (174)	68 1/2 (174)	68 1/2 (174)
D	70 (177.8)	70 (177.8)	68 3/4 (173.7)	70 (177.8)	70 (177.8)	70 (177.8)	70 (177.8)	70 (177.8)	70 (177.8)	70 (177.8)	70 (177.8)
E	33 3/4 (84.5)	33 3/4 (84.5)	33 3/4 (84.5)	33 3/4 (84.5)	33 3/4 (84.5)	29 1/4 (74.3)	29 1/4 (74.3)	29 1/4 (74.3)	29 1/4 (74.3)	29 1/4 (74.3)	29 1/4 (74.3)
F	30 3/4 (78.1)	30 3/4 (78.1)	30 3/4 (78.1)	30 3/4 (78.1)	30 3/4 (78.1)	26 1/4 (67.9)	26 1/4 (67.9)	26 1/4 (67.9)	26 1/4 (67.9)	26 1/4 (67.9)	26 1/4 (67.9)
G	52 (132.1)	49 1/2 (125.7)	49 (124.5)	49 1/2 (125.7)	49 1/2 (125.7)	45 1/2 (115.6)	45 1/2 (115.6)	45 1/2 (115.6)	45 1/2 (115.6)	45 1/2 (115.6)	45 1/2 (115.6)
H	28 (71.1)	28 (71.1)	28 (71.1)	28 (71.1)	28 (71.1)	24 (61)	24 (61)	24 (61)	24 (61)	24 (61)	24 (61)
SW	343 (155.6)	343 (155.6)	315 (142.9)	333 (151)	333 (151)	300 (136.1)	300 (136.1)	300 (136.1)	300 (136.1)	300 (136.1)	300 (136.1)



Wide-By-Side™

- A Width — in. (cm)
- B Width With Doors Open 90° Including Handles — in. (cm)
- C Height Excluding Door Hinge — in. (cm)
- D Height Including Door Hinge — in. (cm)
- E Depth Including Handle — in. (cm)
- F Depth Excluding Handle — in. (cm)
- G Depth With Doors Open 90° — in. (cm)
- H Depth Of Cabinet — in. (cm)
- SW Approximate Shipping Weight — lbs. (kg)



Side-By-Side

- A Width — in. (cm)
- B Width With Doors Open 90° Including Handles — in. (cm)
- C Height Excluding Door Hinge — in. (cm)
- D Height Including Door Hinge — in. (cm)
- E Depth Including Handle — in. (cm)
- F Depth Excluding Handle — in. (cm)
- G Depth With Doors Open 90° — in. (cm)
- H Depth Of Cabinet — in. (cm)
- SW Approximate Shipping Weight — lbs. (kg)

Side-By-Side

Models	MSD2659	MSD2657	MSD2655	MSD2651	MSD2359	MSD2357	MSD2355	MSD2351	MSB2654	MCD2257	MCB2256
REFRIGERATOR FEATURES											
ENERGY STAR®-Qualified	★	★	★	★	★	★	★	★	★	★	★
Triple-Cool™ System	Electronic				Electronic						
Dual Cool™ System		Electronic	■	■		Electronic	■	■	■	Electronic	Electronic
PuriClean® II Retractable Water/Ice Filter	750-Gallon	750-Gallon	750-Gallon	750-Gallon	750-Gallon	750-Gallon	750-Gallon	750-Gallon		750-Gallon	
Adjustable Tempered-Glass Shelves	3	3	3	3	3	3	3	3	3	3	3
Elevator™ Shelf	■	■	■	■	■	■	■	■	■	■	■
Spill-Catcher™ Shelves	■	■	■	■	■	■	■	■	■	■	■
Easy-Glide Shelves	3	3	3		3	3	2		1	3	3
Spill-Catcher™ Glass Crisper Shelf	■	■	■	■	■	■	■	■	■	■	■
Sealed FreshLock Crispers:											
With Automatic Humidity Control	2 Fully Extendable	2 Fully Extendable			2 Fully Extendable	2 Fully Extendable				2 Fully Extendable	2 Fully Extendable
With Humidity Control				2 Roll-Out	2 Slide-Out			2 Roll-Out	2 Slide-Out	2 Slide-Out	
OpenWide™ Fully Extendable Drawers	■	■			■	■			■	■	■
Adjusti-Temp™ Deli Drawer	■	■	■	■	■	■	■	■	■	■	■
Pick-Off Gallon-Plus Door Bins	4	4	5	5	4	4	5	5	4	2	2
Tilt-Out Door Bin	■	■			■	■			■		
Covered Dairy Compartment	■	■	■	■	■	■	■	■	■	■	■
Removable Egg Cradle											■
Egg Bin With Lid	■	■			■	■					■
Beverage Organizer™ Rack	■	■			■	■					
Tall Bottle Retainer	■	■			■	■					
BrightSeries™ Lighting Package	■	■	■	■	■	■	■	■		■	■
Refrigerator Lights	3	3	3	3	3	3	3	3	3	3	3
Automatic Moisture Control	■	■	■	■	■	■	■	■	■	■	■
FREEZER FEATURES											
Adaptive Defrost Feature	■	■	■	■	■	■	■	■	■	■	■
Speed Ice™ Feature	■	■			■	■					
Factory-Installed Ice Maker	■	■	■	■	■	■	■	■		■	■
Automatic Ice Maker Option									UKI2500AXX		
Wire Shelves	1	1	3	3	1	1	3	3	2	1	2
Slide-Out Wire Baskets	3	3	1	1			1	1	2	3	3
Fully Extendable Wire Baskets	3				3						
Tilt-Out Wire Door Baskets	2	2			2	2			3	2	2
Pick-Off Door Bins	2	2	4	4	2	2	4	4	2	2	3
Freezer Lights	3	3	3	3	3	3	3	3	2	3	2
EXTERIOR FEATURES											
Electronic FrontFill™ Dispenser	■	■			■	■					
Electronic Cube/Crushed Ice And Water Dispenser	■	■	■	■	■	■	■	■		■	
Water Filter Change Reminder Light	■	■	■	■	■	■	■	■	■	■	■
Radius Doors	■	■	■	■	■	■	■	■	■	■	■
Sound Package	QuietSeries™ 200	QuietSeries™ 200	QuietSeries™ 100	QuietSeries™ 100	QuietSeries™ 200	QuietSeries™ 200	QuietSeries™ 100	QuietSeries™ 100	QuietSeries™ 100	QuietSeries™ 200	QuietSeries™ 200
Foam Door Insulation	■	■	■	■	■	■	■	■	■	■	■
Front-Adjustable Four-Point Leveling	■	■	■	■	■	■	■	■	■	■	■
COLOR AVAILABILITY											
White	■	■	■	■	■	■	■	■	■	■	■
Bisque	■	■	■	■	■	■	■	■	■	■	■
Black	■	■	■	■	■	■	■	■	■	■	■
Stainless Steel With Black Cabinet	■*	■	■	■	■*	■	■	■	■	■	■
VOLUME											
Total Shelf Area — sq. ft. (sq. m)	23.6 (2.2)	23.6 (2.2)	24.3 (2.3)	24.1 (2.2)	20.2 (1.9)	20.2 (1.9)	20.9 (1.9)	20.7 (1.9)	24.7 (2.3)	19.8 (1.8)	20.5 (1.9)
Total Volume — cu. ft. (cu. m)	25.6 (0.72)	25.6 (0.72)	25.6 (0.72)	25.6 (0.72)	22.6 (0.64)	22.6 (0.64)	22.6 (0.64)	22.6 (0.64)	25.5 (0.72)	21.6 (0.61)	21.5 (0.61)
Fresh Food Volume — cu. ft. (cu. m)	15.8 (0.45)	15.8 (0.45)	15.8 (0.45)	15.8 (0.45)	14.8 (0.42)	14.8 (0.42)	14.8 (0.42)	14.8 (0.42)	15.8 (0.45)	13.5 (0.38)	13.5 (0.38)
Freezer Volume — cu. ft. (cu. m)	9.2 (0.26)	9.2 (0.26)	9.8 (0.27)	9.8 (0.27)	7.9 (0.22)	7.9 (0.22)	7.9 (0.22)	7.9 (0.22)	9.6 (0.27)	8.1 (0.23)	7.96 (0.23)

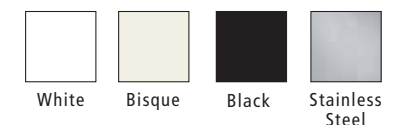
*With Stainless Steel towel bar handles.

All models listed may not be available from every Maytag dealer. Because of continuous product improvement, Maytag reserves the right to change specifications without notice.

Optional Door Panel Trim Kit:

Decorator panels, trim (for wood panels), and trim and panel kits are available for all Maytag® side-by-side refrigerators. Panels are available in acrylic, mirrored, stainless steel, satin alloy, solid surface and real wood. To order, call Frigo Design at 1-800-836-8746. Be sure to provide refrigerator model number when ordering.

Exterior Color Options



French Door

Models	MFD2561	MFD2560	MFF2557	MFC2061
REFRIGERATOR FEATURES				
ENERGY STAR®-Qualified	★	★	★	★
Triple-Cool™ System	Electronic			Electronic
Dual Cool™ System		Electronic	Electronic	
Twin Fresh Food Doors	■	■	■	■
PureChill™ Internal Water Dispenser	■	■	■	■
PuriClean® II Retractable Water/Ice Filter	750-Gallon	750-Gallon		750-Gallon
Adjustable Tempered-Glass Shelves	4 Split	4 Split	4 Split	4 Split
Spill-Catcher™ Shelves	■	■	■	■
Easy-Glide Shelves	■	■	■	■
Elevator™ Shelf	■	■	■	■
Wide-N-Fresh™ Deli Drawer	■	■	■	■
Sealed FreshLock Crispers With Humidity Control	2	2	2	2
Pick-Off Gallon-Plus Door Bins	5	5	5	5
Pick-Off Covered Dairy Compartment	■	■	■	■
Removable Egg Cradle	■	■	■	■
Beverage Organizer™ Rack	■	■	■	■
BrightSeries™ Lighting Package	■	■	■	■
Refrigerator Lights	2	2	2	2
Automatic Moisture Control	■	■	■	■
FREEZER FEATURES				
Glide-Out Freezer Drawer	■	■	■	■
Speed Ice™ Feature	■	■	■	■
Factory-Installed Ice Maker	■	■	■	■
Slide-Out Wire Drawer	■	■	■	■
Slide-Out Wire Basket	■	■	■	■
Lower Basket Divider	■	■	■	■
Freezer Light	■	■	■	■
Ice Bin	■	■	■	■
EXTERIOR FEATURES				
Radius Doors	■	■	■	■
Sound Package	QuietSeries™ 200	QuietSeries™ 200	QuietSeries™ 200	QuietSeries™ 200
Foam Door Insulation	■	■	■	■
Front-Adjustable Four-Point Leveling	■	■	■	■
Color Availability				
White	■	■	■	■
Bisque	■	■	■	■
Black	■	■	■	■
Stainless Steel With Black Cabinet	■*	■	■	■*
VOLUME				
Total Shelf Area — sq. ft. (sq. m)	28.8 (2.7)	28.6 (2.6)	28.6 (2.6)	22.2 (2.1)
Total Volume — cu. ft. (cu. m)	24.8 (0.7)	24.8 (0.7)	24.8 (0.7)	19.6 (0.56)
Fresh Food Volume — cu. ft. (cu. m)	17.3 (0.49)	17.3 (0.49)	17.3 (0.49)	14.15 (0.40)
Freezer Volume — cu. ft. (cu. m)	7.5 (0.21)	7.5 (0.21)	7.5 (0.21)	5.47 (0.16)

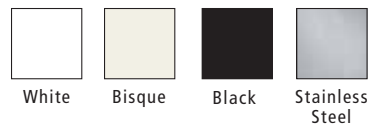
*With Stainless Steel towel bar handles.

All models listed may not be available from every Maytag dealer. Because of continuous product improvement, Maytag reserves the right to change specifications without notice.

Optional Door Panel Trim Kit: Decorator panels, trim (for wood panels), and trim and panel kits are available for all Maytag® bottom-freezer refrigerators. Panels are available in acrylic, mirrored, stainless steel, satin alloy, solid surface and real wood. To order, call Frigo Design at 1-800-836-8746. Be sure to provide refrigerator model number when ordering.

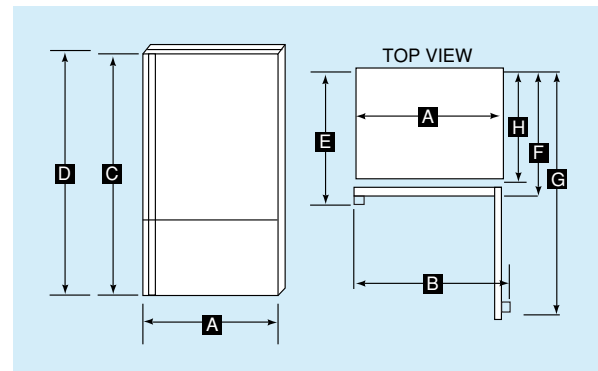
French Door Bottom-Freezer refrigerator design is a trademark of Maytag Corporation.

Exterior Color Options



Maytag® French Door Bottom-Freezer Dimensions

	MFD2561	MFD2560	MFF2557	MFC2061
A	35½ (90.5)	35½ (90.5)	35½ (90.5)	35½ (90.5)
B	38½ (97.5)	38½ (97.5)	38½ (97.5)	37½ (94.3)
C	68½ (174.3)	68½ (174.3)	68½ (174.3)	68½ (174)
D	69½ (177.5)	69½ (177.5)	69½ (177.5)	70½ (178.1)
E	34¼ (87)	34¼ (87)	34¼ (87)	29¾ (75.2)
F	31¾ (79.4)	31¾ (79.4)	31¾ (79.4)	27½ (68.9)
G	48¼ (122.6)	48¼ (122.6)	48¼ (122.6)	43¾ (110.2)
H	29 (73.7)	29 (73.7)	29 (73.7)	24 (61)
SW	355 (161)	355 (161)	355 (161)	300 (136.1)



Bottom-Freezer

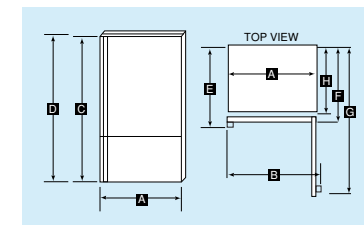
- A Width — in. (cm)
- B Width With Door Open 90° Including Handle — in. (cm)
- C Height Excluding Door Hinge — in. (cm)
- D Height Including Door Hinge — in. (cm)
- E Depth Including Handle — in. (cm)
- F Depth Excluding Handle — in. (cm)
- G Depth With Door Open 90° — in. (cm)
- H Depth Of Cabinet — in. (cm)
- SW Approximate Shipping Weight — lbs. (kg)

Bottom-Freezer

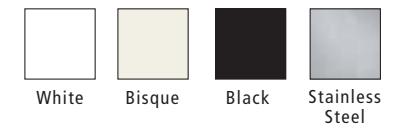
Models	MBF2562*	MBF2558	MBF2556	MBF2262*	MBF2258	MBF2256	MBF2254	MBF1956	MBB1952
REFRIGERATOR FEATURES									
ENERGY STAR®-Qualified	★	★	★	★	★	★	★	★	★
Triple-Cool™ System	Electronic			Electronic					
Dual Cool™ System		Electronic	Electronic		Electronic	Electronic	Electronic	Electronic	■
Adjustable Tempered-Glass Shelves	4 Split	4 Split	4 Split	4 Split	4 Split	4 Split	4 Split	4 Split	4 Split
Spill-Catcher™ Shelves	■	■	■	■	■	■	■	■	■
Easy-Glide Shelves	■	■	■	■	■	■	■	■	■
Elevator™ Shelf	■	■	■	■	■	■	■	■	■
Deli Drawer	■	■	■	■	■	■	■	■	■
Wide-N-Fresh™ Deli Drawer	■	■	■	■	■	■	■	■	■
Sealed FreshLock Crispers With Humidity Control	2	2	2	2	2	2	2	2	2
Pick-Off Gallon-Plus Door Bins	4	4	4	4	4	4	4	4	4
Pick-Off Covered Dairy Compartment	■	■	■	■	■	■	■	■	■
Removable Egg Cradle	■	■	■	■	■	■	■	■	■
Beverage Organizer™ Rack	■	■	■	■	■	■	■	■	■
BrightSeries™ Lighting Package	■	■	■	■	■	■	■	■	■
Refrigerator Lights	2	2	2	2	2	2	2	2	2
Automatic Moisture Control	■	■	■	■	■	■	■	■	■
FREEZER FEATURES									
Glide-Out Freezer Drawer	■	■	■	■	■	■	■	■	■
Swing-Out Freezer Door	■	■	■	■	■	■	■	■	■
Speed Ice™ Feature	■	■	■	■	■	■	■	■	■
Automatic Ice Maker Option									IC11B
Factory-Installed Ice Maker	■	■	■	■	■	■	■	■	■
Wire Shelf	■	■	■	■	■	■	■	■	■
Slide-Out Wire Drawer	■	■	■	■	■	■	■	■	■
Slide-Out Wire Basket	■	■	■	■	■	■	■	■	■
Lower Basket Divider	■	■	■	■	■	■	■	■	■
Deep Fixed Door Bin	■	■	■	■	■	■	■	■	■
Freezer Light	■	■	■	■	■	■	■	■	■
Ice Bin	■	■	■	■	■	■	■	■	■
Ice Cube Trays									2
EXTERIOR FEATURES									
Reversible Doors	■*	■	■	■*	■	■	■	■	■
Radius Doors	■	■	■	■	■	■	■	■	■
Sound Package	QuietSeries™ 200	QuietSeries™ 200	QuietSeries™ 200	QuietSeries™ 200	QuietSeries™ 200	QuietSeries™ 200	QuietSeries™ 100	QuietSeries™ 200	QuietSeries™ 100
Foam Door Insulation	■	■	■	■	■	■	■	■	■
Front-Adjustable Four-Point Leveling	■	■	■	■	■	■	■	■	■
Color Availability									
White	■	■	■	■	■	■	■	■	■
Bisque	■	■	■	■	■	■	■	■	■
Black	■	■	■	■	■	■	■	■	■
Stainless Steel With Black Cabinet	■*	■	■	■*	■	■	■	■	■
VOLUME									
Total Shelf Area — sq. ft. (sq. m)	28.9 (2.7)	29 (2.7)	29 (2.7)	24.9 (2.3)	23.5 (2.2)	23.5 (2.2)	23.5 (2.2)	21 (1.9)	21 (1.9)
Total Volume — cu. ft. (cu. m)	25.1 (0.71)	25.1 (0.71)	25.1 (0.71)	22.1 (0.63)	22.1 (0.63)	22.1 (0.63)	22.1 (0.63)	18.6 (0.53)	18.6 (0.53)
Fresh Food Volume — cu. ft. (cu. m)	17.8 (0.5)	17.8 (0.5)	17.8 (0.5)	15.6 (0.44)	15.6 (0.44)	15.6 (0.44)	15.6 (0.44)	12.9 (0.37)	12.9 (0.37)
Freezer Volume — cu. ft. (cu. m)	7.3 (0.21)	7.3 (0.21)	7.3 (0.21)	6.3 (0.18)	6.3 (0.18)	6.3 (0.18)	6.3 (0.18)	5.6 (0.16)	5.6 (0.16)

Maytag® Bottom-Freezer Dimensions

	MBF2562, MBR2562 MBL2562, MBF2558, MBF2556	MBF2262, MBR2262 MBL2262, MBF2258 MBF2256, MBF2254	MBF1956 MBB1952
A	35½ (90.5)	32¾ (83.2)	29¾ (75.6)
B	38½ (97.5)	35½ (89.9)	32½ (82.2)
C	68½ (174.3)	68½ (174.3)	65½ (166.7)
D	69½ (177.5)	69½ (177.5)	66½ (169.9)
E	34¼ (87)	33¼ (84.5)	33¼ (84.5)
F	30¾ (78.1)	30¾ (78.1)	30¾ (78.1)
G	66½ (168)	62½ (157.8)	59½ (150.2)
H	28 (71.1)	28 (71.1)	28 (71.1)
SW	350 (158.8)	310 (140.6)	270 (122.5)



Exterior Color Options



Bottom-Freezer

- A Width — in. (cm)
- B Width With Door Open 90° Including Handle — in. (cm)
- C Height Excluding Door Hinge — in. (cm)
- D Height Including Door Hinge — in. (cm)
- E Depth Including Handle — in. (cm)
- F Depth Excluding Handle — in. (cm)
- G Depth With Door Open 90° — in. (cm)
- H Depth Of Cabinet — in. (cm)
- SW Approximate Shipping Weight — lbs. (kg)

All models listed may not be available from every Maytag dealer. Because of continuous product improvement, Maytag reserves the right to change specifications without notice.

Optional Door Panel Trim Kit: Decorator panels, trim (for wood panels), and trim and panel kits are available for all Maytag® bottom-freezer refrigerators. Panels are available in acrylic, mirrored, stainless steel, satin alloy, solid surface and real wood. To order, call Frigo Design at 1-800-836-8746. Be sure to provide refrigerator model number when ordering.

*Stainless Steel versions: specify right-swing door (MBR2562, MBR2262) or left-swing door (MBL2562, MBL2262) when ordering.

Top-Freezer

Models	MTB2195	MTF2195	MTF2193	MTB2191	MTB1895	MTF1895	MTF1893	MTB1891	MTB1504
ENERGY STAR®-Qualified	★	★			★	★			
Cool Flow™ Ventilation	■	■	■		■	■	■		
Adjustable Tempered-Glass Shelves	4 Split	4 Split			4 Split	4 Split			
Full-Width Sealed Glass Shelves			2				2		
Full-Width Glass Shelves				2				2	2
Spill-Catcher™ Glass Shelves	■	■	■		■	■	■		
Easy-Glide Shelves	4	4			4	4			
Snack Center Drawer	■	■	■	■	■	■	■	■	
FreshLock Crispers With Humidity Control	2	2	2	2	2	2	2	2	2
Glass Crisper Shelf	■	■	■	■	■	■	■	■	■
Pick-Off Gallon-Plus Door Bins	4	4	4		4	4	4		
Fixed Gallon-Plus Door Bins				2				2	2
Fixed Door Bin	■	■	■	■	■	■	■	■	■
Covered Dairy Compartment	■	■	■	■	■	■	■	■	■
Removable Egg Cradle	■	■	■	■	■	■	■	■	■
Refrigerator Lights	■	■	■	■	■	■	■	■	■
Automatic Moisture Control	■	■	■	■	■	■	■	■	■
FREEZER FEATURES									
Automatic Ice Maker Option	UK11500AXX			UK11500AXX	UK11500AXX			UK11500AXX	UK11500AXX
Factory-Installed Ice Maker		■	■			■	■		
Half-Width Shelf									
Full-Width Adjustable Wire Shelf	■	■	■	■	■	■	■	■	■
Tilt-Out Wire Door Basket	■	■	■	■	■	■	■	■	■
Deep Fixed Door Bins	■	■	■	■	■	■	■	■	■
Freezer Light	■	■	■	■	■	■	■	■	■
Ice Cube Trays	2			2	2			2	2
EXTERIOR FEATURES									
Reversible Doors	■	■	■	■	■	■	■	■	■
Integrated Handle									■
Sound Package	QuietSeries™ 200	QuietSeries™ 200	QuietSeries™ 100	QuietSeries™ 100	QuietSeries™ 200	QuietSeries™ 200	QuietSeries™ 100	QuietSeries™ 100	Quiet Pack
Foamed-In-Place Doors	■	■	■	■	■	■	■	■	■
No-Clean™ Commercial-Duty Condenser	■	■	■	■	■	■	■	■	■
Color Availability									
White	■	■	■	■	■	■	■	■	■
Bisque	■	■	■	■	■	■	■	■	■
Black	■	■	■	■	■	■	■	■	■
Stainless Steel With Black Cabinet	■	■	■	■	■	■	■	■	■
VOLUME									
Total Shelf Area — sq. ft. (sq. m)	25.9 (2.4)	25.9 (2.4)	25.9 (2.4)	25.9 (2.4)	21.08 (2.0)	21.08 (2.0)	21.08 (2.0)	21.08 (2.0)	17.6 (1.6)
Total Volume — cu. ft. (cu. m)	21 (0.59)	21 (0.59)	21 (0.59)	21 (0.59)	18.1 (0.51)	18.1 (0.51)	18.1 (0.51)	18.1 (0.51)	15 (0.42)
Fresh Food Volume — cu. ft. (cu. m)	14.9 (0.42)	14.9 (0.42)	14.9 (0.42)	14.9 (0.42)	13 (0.37)	13 (0.37)	13 (0.37)	13 (0.37)	10.85 (0.31)
Freezer Volume — cu. ft. (cu. m)	6.1 (0.17)	6.1 (0.17)	6.1 (0.17)	6.1 (0.17)	5.1 (0.14)	5.1 (0.14)	5.1 (0.14)	5.1 (0.14)	4.15 (0.11)

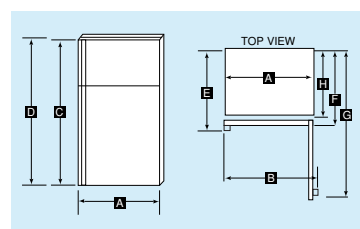
All models listed may not be available from every Maytag dealer. Because of continuous product improvement, Maytag reserves the right to change specifications without notice.

Optional Door Panel Trim Kit:

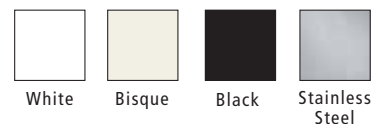
Decorator panels, trim (for wood panels), and trim and panel kits are available for all Maytag® top-freezer refrigerators. Panels are available in acrylic, mirrored, stainless steel, satin alloy, solid surface and real wood. To order, call Frigo Design at 1-800-836-8746. Be sure to provide refrigerator model number when ordering.

Maytag® Top-Freezer Dimensions

	MTB2195 MTF2195 MTF2193 MTB2191	MTB1895 MTF1895 MTF1893 MTB1891	MTB1504
A	32½ (82.8)	29½ (75.2)	28 (71.1)
B	35½ (90.6)	32½ (82.8)	28 (71.1)
C	66 (167.6)	66 (167.6)	61½ (155.2)
D	66½ (169.2)	66½ (169.2)	61½ (157)
E	31½ (81)	31¼ (80.6)	28½ (72.4)
F	30½ (77.1)	29½ (75.1)	28½ (72.4)
G	60½ (153.4)	56½ (143.3)	54½ (138)
H	26½ (67.6)	26½ (66.5)	25½ (64)
SW	221 (100)	194 (88)	208 (94.3)



Exterior Color Options



Top-Freezer

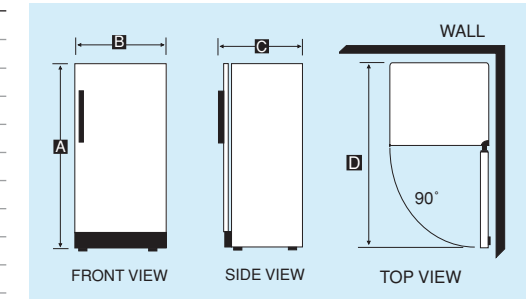
- A Width — in. (cm)
- B Width With Door Open 90° Including Handle — in. (cm)
- C Height Excluding Door Hinge — in. (cm)
- D Height Including Door Hinge — in. (cm)
- E Depth Including Handle — in. (cm)
- F Depth Excluding Handle — in. (cm)
- G Depth With Door Open 90° — in. (cm)
- H Depth Of Cabinet — in. (cm)
- SW Approximate Shipping Weight — lbs. (kg)

Upright

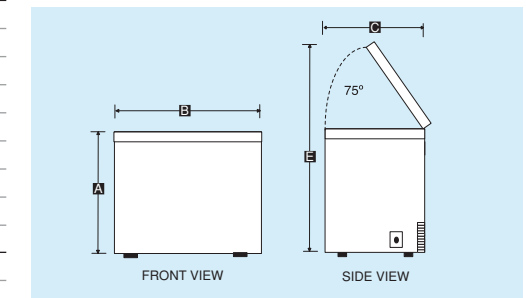
Chest

Models	MQU2057	MQU2056	MQU1556	MQU1554	MQC2257	MQC1557
FREEZER FEATURES						
ENERGY STAR®-Qualified	★		★	★	★	★
EvenFreeze™ Food Preservation System					■	■
Fast-Freeze Setting	■	■	■	■		
Manual Defrost		■			■	■
Auto Defrost	■		■			
Adjustable Temperature Control	■	■		■	■	■
Full-Width Wire Shelves	4 Slide-Out	4 Fixed	3 Slide-Out	3 Slide-Out		
Fixed Door Bins	6	6	4	4		
Removable Baskets	■				2	2
Storage Gate		■	■			
Defrost Drain		■		■	■	■
Interior Light	■	■	■	■	■	■
10-Year Food-Loss Warranty	■	■	■	■	■	■
EXTERIOR FEATURES						
Lock With Key	■	■	■	■	■	■
Handle	Recessed	Recessed	Recessed	Recessed	Grip	Grip
Flat Back	■		■			
Smooth Rust- And Impact-Resistant Liner	■	■	■	■	■	■
Textured-Steel Cabinet	■	■	■	■	■	■
2 Front Leveling Legs	■	■	■	■		
Foamed Door/Lid	■	■	■	■	■	■
Counterbalanced Lid					■	■
VOLUME						
Total Volume — cu. ft. (cu. m)	19.6 (0.55)	19.6 (0.55)	15.0 (0.42)	15.2 (0.43)	21.7 (55.1)	14.8 (0.42)
Food Storage Capacity — lbs. (kg)	588 (266.7)	588 (266.7)	450 (204.1)	456 (206.8)	545 (247.2)	444 (201.4)
A - Height — in. (cm)	66.5 (168.9)	66.5 (168.9)	60.5 (153.7)	60.5 (153.7)	35 (88.9)	35 (88.9)
B - Width — in. (cm)	33 (83.8)	33 (83.8)	30 (76.2)	30 (76.2)	64.9 (164.8)	46.1 (117.2)
C - Depth — in. (cm)	28.3 (71.9)	28.3 (71.9)	28.3 (71.9)	28.3 (71.9)	29.4 (74.7)	29.4 (74.6)
D - Depth With Door Open 90° — in. (cm)	59.5 (151.1)	59.5 (151.1)	56.5 (143.5)	56.5 (143.5)		
E - Height With Lid Open 75° — in. (cm)					60.4 (153.4)	60.4 (153.4)
Air Clearance — Sides And Top — in. (cm)	3 (7.6)	3 (7.6)	3 (7.6)	3 (7.6)	3 (7.6)	3 (7.6)
Shipping Weight — lbs. (kg)	211 (95.7)	206 (93.4)	176 (79.8)	178 (80.7)	220 (99.8)	176 (79.8)

Maytag® Upright Freezer



Maytag® Chest Freezer



Exterior Color



White

SkyBox™ Personal Beverage Vendor By Maytag™ Dimensions — in. (cm)

	SkyBox™ Vendor MBV1976	SkyBase™ Stand MBS1976	SkyBox™ Vendor With SkyBase™ Stand
Height	33½ (85.1)	25 (63.5)	58½ (148.6)
Width	24 (61)	24 (61)	24 (61)
Depth	22½ (56.1)	22½ (56.1)	22½ (56.1)
Weight — lbs. (kg)	101 (45.8)	56 (25.4)	157 (71.2)

All models listed may not be available from every Maytag dealer. Because of continuous product improvement, Maytag reserves the right to change specifications without notice.